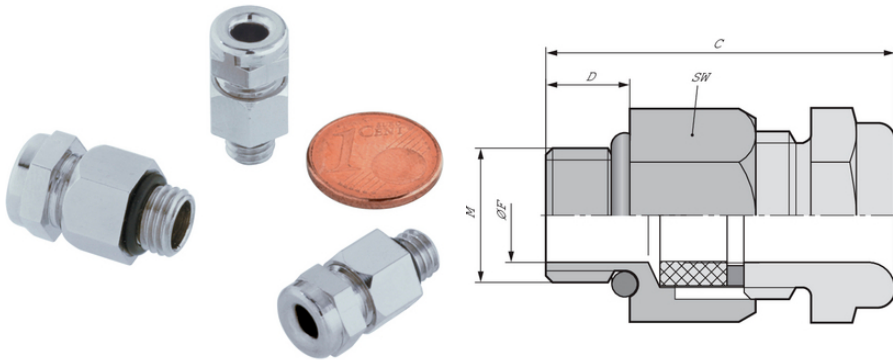


SKINDICHT® MINI NBR

SKINDICHT® MINI, cable gland for the smallest conductor sizes and high packing density, gentle cable clamping and high degree of protection



Supplementary automation components from Lapp



Space requirement

Benefits

- High degree of protection
- For the smallest conductor sizes
- Low height
- Gentle cable clamping
- High packing density

Application range

For use wherever there is limited assembly space.
Sensors
Measurement and control technology

Product features

Suitable for use in oily surroundings

Technical Data

Classification ETIM 5:

ETIM 5.0 Class-ID: EC000441

ETIM 5.0 Class-Description: Cable screw gland

Classification ETIM 6:

ETIM 6.0 Class-ID: EC000441

ETIM 6.0 Class-Description: Cable screw gland

Caution:

Recommendation of torque

M 6 x 1 1,5 Nm

M 8 x 1 3,0 Nm

M 10 x 1 6,0 Nm

Last Update (28.01.2026)

©2026 Lapp Group - Technical changes reserved

Product Management www.lappkabel.de

You can find the current technical data in the corresponding data sheet.

PN 0456 / 02_03.16

SKINDICHT® MINI NBR

Material:	Body: Nickel-plated brass Sealing: CR/NBR
Protection rating:	IP 66 IP 68 - 5 bar
Temperature range:	-20°C to +100°C

Note

Photographs and graphics are not to scale and do not represent detailed images of the respective products. Prices are net prices without VAT and surcharges. Sale to business customers only.



SKINDICHT® MINI NBR

Article number	Article designation / size	Clamping range ØF mm	SW wrench size mm	Overall length C mm	Thread length D mm	Clear opening F (mm)	Pieces / PU
SKINDICHT® MINI NBR							
52001860	M 6 x 1	2 - 3	9	19.7	5	3.0	50
52001880	M 8 x 1	3.5 - 5.5	11	21.5	5	5.5	50
52001895	M 10 x 1	5.5 - 7	14	22.3	5	7.4	50

Last Update (28.01.2026)

©2026 Lapp Group - Technical changes reserved

Product Management www.lappkabel.de

You can find the current technical data in the corresponding data sheet.

PN 0456 / 02_03_16