

Customer Information Sheet

DRAWING No.: G125-MVXXX05M2X

IF IN DOUBT - ASK (C)

NOT TO SCALE

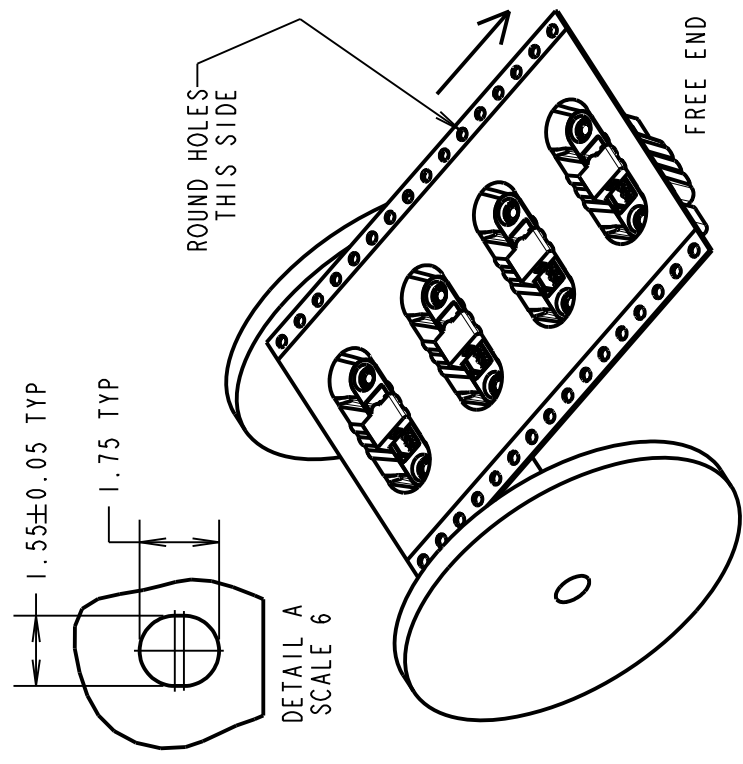
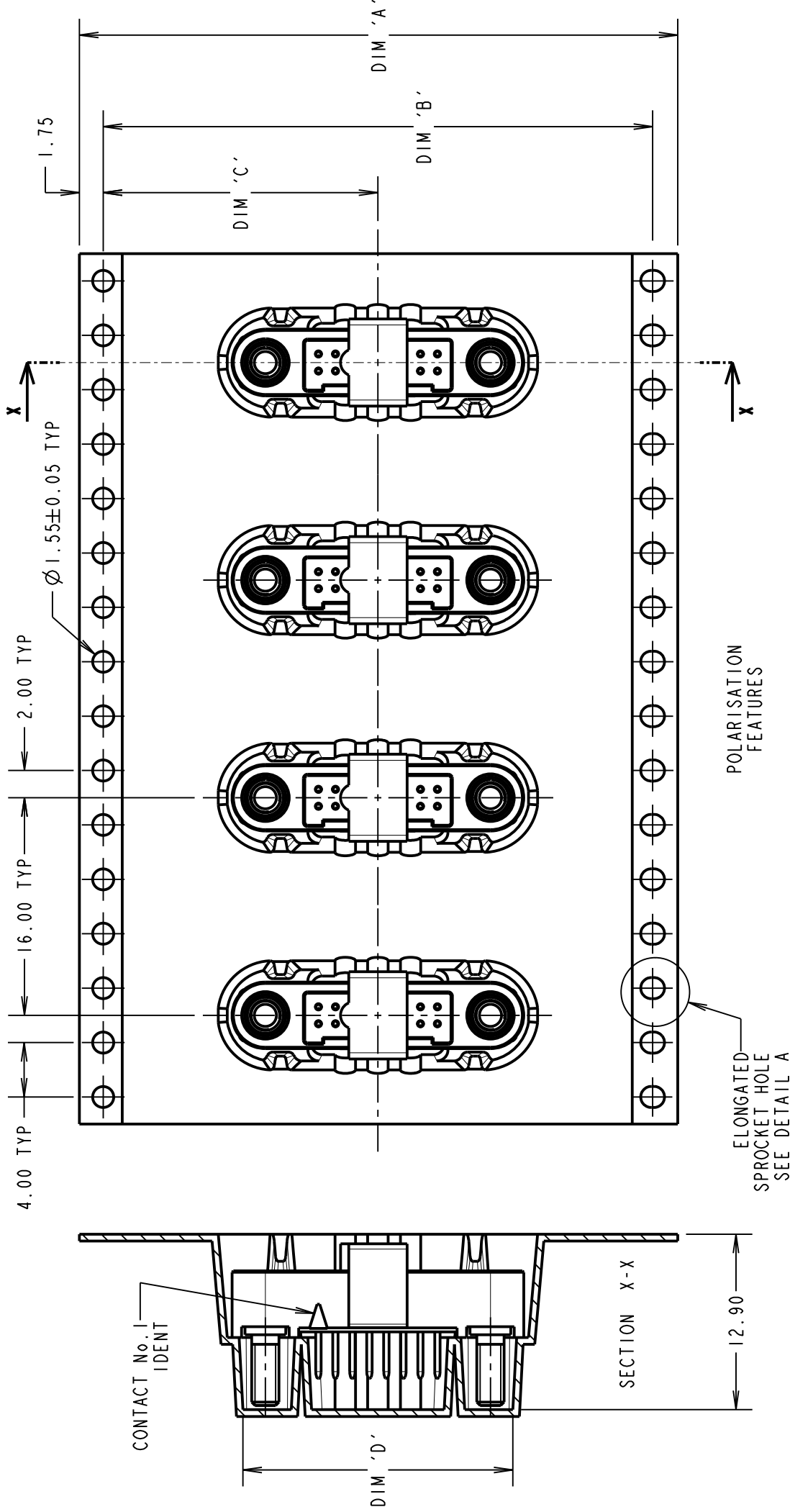
THIRD ANGLE PROJECTION

ALL DIMENSIONS IN mm

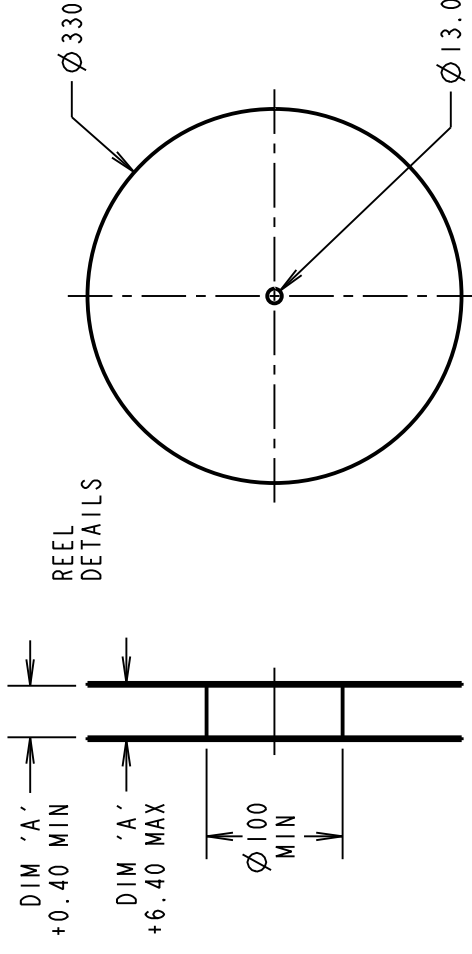
ORDER CODE: **G125-MV1XX05M2X**

TOTAL No. OF CONTACTS:
06, 10, 12, 16, 20, 26, 34 & 50.

PACK TYPE:
R = 250PCS IN TAPE AND REEL
P = EACH (CUT TAPE LENGTHS)



REEL PART No.	LOOSE PART No.	DIM 'A'	DIM 'B'	DIM 'C'	DIM 'D'
G125-MV10605M2R	G125-MV10605M2P				13.60
G125-MV11005M2R	G125-MV11005M2P	32.0±0.3	28.40	14.20	16.10
G125-MV11205M2R	G125-MV11205M2P				17.35
G125-MV11605M2R	G125-MV11605M2P				19.85
G125-MV12005M2R	G125-MV12005M2P	44.0±0.3	40.40	20.20±0.15	22.20±0.15
G125-MV12605M2R	G125-MV12605M2P				26.00±0.15
G125-MV13405M2R	G125-MV13405M2P				30.90±0.15
G125-MV15005M2R	G125-MV15005M2P	56.0±0.3	52.40	26.20±0.15	41.00±0.15



FINISHED REELING DIRECTION
G125-MVXXX05M2R
PRODUCT ONLY

MGP	C	03.05.17	20563
NAME	ISS.	DATE	C/NOTE
APPROVED: SF			
CHECKED: SB			
DRAWN: MARK G PLESTED			
CUSTOMER REF.:			
ASSEMBLY DRG:			

- NOTES:
- FOR "R" QUANTITY OF COMPONENTS PER REEL = 250.
 - FOR "P" QUANTITIES ARE EACH AND CUT FROM G125-MVXXX05M2R.
 - THIS PRODUCT IS TAPED AND REELED IN ACCORDANCE WITH EIA-481 (ELECTRONIC INDUSTRIES ASSOCIATION).
 - COMPONENTS ARE ORIENTATED IN TAPE POCKETS SO THAT THE POLARISING FEATURES ARE FACING AWAY FROM THE FREE END.

HARWIN
www.harwin.com
technical@harwin.com

THIS DRAWING AND ANY INFORMATION OR DESCRIPTIVE MATTER SET OUT HEREON ARE CONFIDENTIAL AND COPYRIGHT PROPERTY OF THE HARWIN GROUP AND MUST NOT BE DISCLOSED, LOANED, COPIED OR USED FOR MANUFACTURING, TENDERING OR FOR ANY OTHER PURPOSE WITHOUT THEIR WRITTEN PERMISSION.

TOLERANCES
X. = ±1mm
X.X = ±0.50mm
X.XX = ±0.10mm
X.XXX = ±0.01mm
ANGLES = ±5°
UNLESS STATED

MATERIAL: SEE SHEET 2

TITLE: GECKO SL SERIES MALE VERTICAL PCT CONNECTOR IN T&R

DRAWING NUMBER: G125-MVXXX05M2X
SHT 3 OF 3

Customer Information Sheet

DRAWING No.: G125-SERIES COMPONENT SPECIFICATION IF IN DOUBT - ASK (C) NOT TO SCALE THIRD ANGLE PROJECTION ALL DIMENSIONS IN mm

SPECIFICATIONS: * EIA-364-27B : 1996: TEST CONDITION E SHOCK SEVERITY: 981 mm/s² (100G) FOR 6ms IN Z AXIS, 490 mm/s² (50G) FOR 11ms IN X & Y AXIS.

MATERIALS: * EIA-364-01A : 2000: ACCELERATION: 490 mm/s² (50G) * BUMP SEVERITY: 390 mm/s² (40G), 4000± 10 BUMPS * TESTED WITH LATCHED CONNECTORS

CONTACTS: MALE PC-TAIL/SMT = PHOSPHOR BRONZE MALE CRIMP = BRASS ALL FEMALE CONTACTS = COPPER ALLOY

LOCKING HARDWARE: LATCHES: COPPER NICKEL TIN ALLOY SCREW LOCK: STAINLESS STEEL

BACK POTTING COMPOUND (CABLE ASSEMBLIES ONLY): STYCAST 2651 MM BACK POTTING WITH CATALYST 9

FINISH: ALL CONTACTS: 0.2-0.3µ GOLD OVER NICKEL LATCHES: 3.0µ 100% TIN OVER NICKEL

MECHANICAL: DURABILITY = 1000 OPERATIONS INSERTION FORCE = 2.8N MAX WITHDRAWAL FORCE = 0.2N MIN

ENVIRONMENTAL: CLASSIFICATION: 65/150/56 DAYS AT 93% RH

TEMPERATURE RANGE: EIA-364-32 : 2000 TEST CONDITION IV, DWELL 30mins, 5 CYCLES -65°C TO +150°C

* EIA-364-28D : 1999: TEST CONDITION IV: VIBRATION SEVERITY: 10Hz TO 2000Hz, 1.5MM, 198 mm/s² (20G). DURATION 2HR

ELECTRICAL: CURRENT RATING: EIA-364-70A : 1998: INDIVIDUAL CONTACT IN ISOLATION AT 25°C = 2.8A MAX EIA-364-70A : 1998: ALL CONTACTS SIMULTANEOUSLY AT 25°C = 2.0A MAX

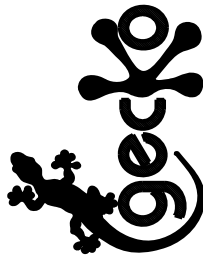
CONTACT RESISTANCE: EIA-364-06C : 2006: INITIAL CONTACT RESISTANCE = 20mΩ MAX EIA-364-06C : 2006: CONTACT RESISTANCE AFTER CONDITIONING = 25mΩ MAX

WORKING VOLTAGE: EIA-364-20C : 2004: SEA LEVEL (1006mbar) = 450V DC/AC PEAK EIA-364-20C : 2004: ALTITUDE LEVEL (44mbar) = 250V DC/AC PEAK

VOLTAGE PROOF AT SEA LEVEL (1013mbar) = 600V DC/AC PEAK

INSULATION RESISTANCE: EIA-364-21C : 2000: INSULATION RESISTANCE (INITIAL) = 10 GΩ MIN AT 500V DC EIA-364-21C : 2000: INSULATION RESISTANCE (AFTER CONDITIONING) = > 1 GΩ MIN AT 500V DC

FOR FULL COMPONENT SPECIFICATION SEE C125XX (LATEST ISSUE).



PATENT PENDING
UK 1205109.0

MGP	4	22.06.17	20668
NAME	ISS.	DATE	C/NOTE
APPROVED: MGP			
CHECKED: SB			
DRAWN: S.FLOWER			
CUSTOMER REF.:			
ASSEMBLY DRG:			

<p>THIS DRAWING AND ANY INFORMATION OR DESCRIPTIVE MATTER SET OUT HEREON ARE THE PROPERTY OF HARWIN GROUP AND MUST NOT BE DISCLOSED, LOANED, COPIED OR USED FOR ANY ACTING, OTHER PURPOSE OR FOR ANY OTHER PURPOSE WITHOUT THEIR WRITTEN PERMISSION.</p>	<p>TOLERANCES</p> <p>X.X = ± 0.50mm X.XX = ± 0.10mm X.XXX = ± 0.01mm</p> <p>ANGLES = 30° UNLESS STATED</p>	<p>MATERIAL:</p> <p>SEE ABOVE</p>	<p>TITLE:</p> <p>G125 SERIES COMPONENT SPECIFICATION</p>
	<p>FINISH:</p> <p>SEE ABOVE</p>	<p>DRAWING NUMBER:</p> <p>G125-SERIES CONNECTORS</p>	<p>SHT</p> <p>1 OF 1</p>

HARWIN

www.harwin.com
technical@harwin.com