

WATCH CRYSTAL



Part Number: 830025159 | CFPX-56

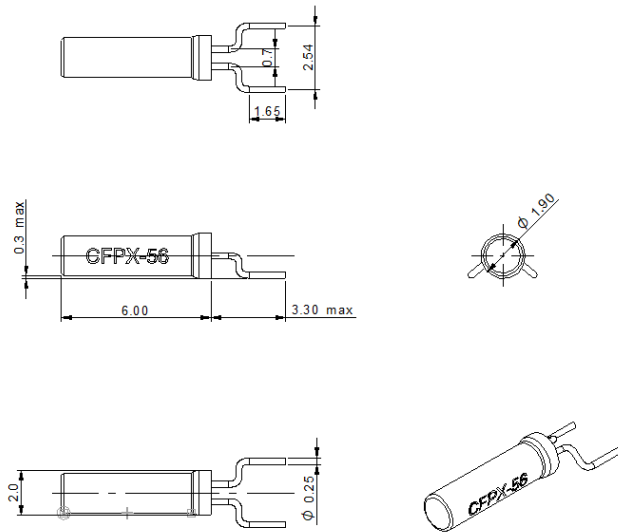
AKA Number: LFX TAL025159



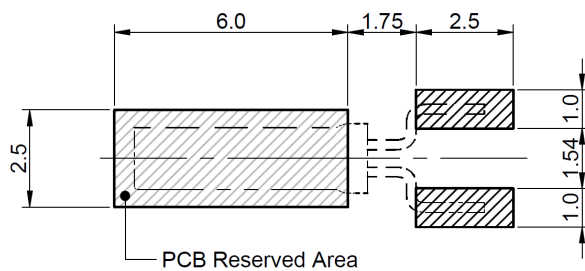
General Information

2 x 6 mm watch crystal with pre-formed legs to make an SMD package.

Dimensions [mm]



Recommended Land Pattern [mm]



NOTE: Do not solder the body of this device to any PCB pads. Use other bonding methods such as adhesive sealant, sticky pads.

Frequency Parameters

Frequency	32.7680 kHz
Frequency Tolerance	± 20 ppm max @ 25 °C
Overtone Order	Fundamental
Ageing	± 5 ppm max first year

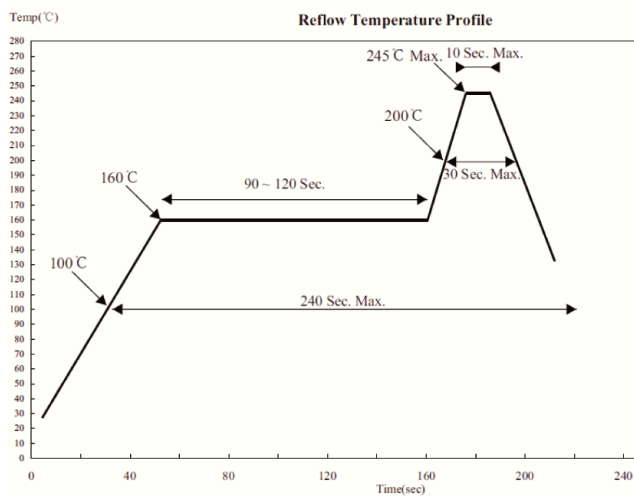
Material Parameters

Termination Finish	Sn Ag Cu
Moisture Sensitivity Level (MSL)	Not Applicable

Manufacturing Details

- Note: Do not solder the body of the device to any PCB pads. Use other bonding methods such as adhesive, sealant, sticky-pads.
- Reflow: 245 °C max for 10 seconds max.

Solder Reflow Graph



Electrical Parameters

Load Capacitance C_L	12.5 pF
Shunt Capacitance C_0	1.6 pF typ. 2 pF max.
Drive Level	0.1 μW typ. 1 μW max.
ESR	40000 Ω max.

- Motional Capacitance (C1): 3.2 fF typ
- Frequency Stability Coefficient: -0.034 ppm/°C² ±0.006 ppm/°C²

Environmental Parameters

Storage Temperature Range:	-40 °C to 85 °C
High Temperature Storage:	85 °C for 24 hours.
Drop:	75 cm drop (3 times) onto hard wooden board.

Technical Standards

RoHS Status	2015/863/EU - Compliant
REACH Status	Compliant

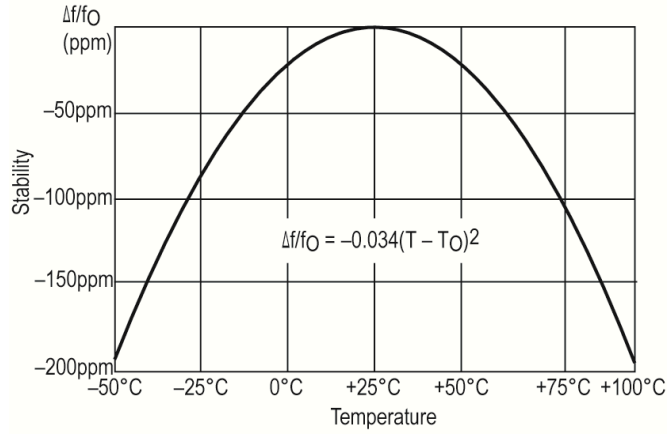
Packaging Details

Packaging SPQ	Tape & Reel 3000 pcs
Tape & reel in accordance with EIA-481	
Quantities below the standard reel size to be supplied on cut tape.	

Part Number: **830025159** | CFPX-56

AKA Number: LFX TAL025159

Stability vs. Temperature



Company Address

IQD Frequency Products Ltd.
Station Road
Crewkerne
Somerset
TA18 8AR, United Kingdom