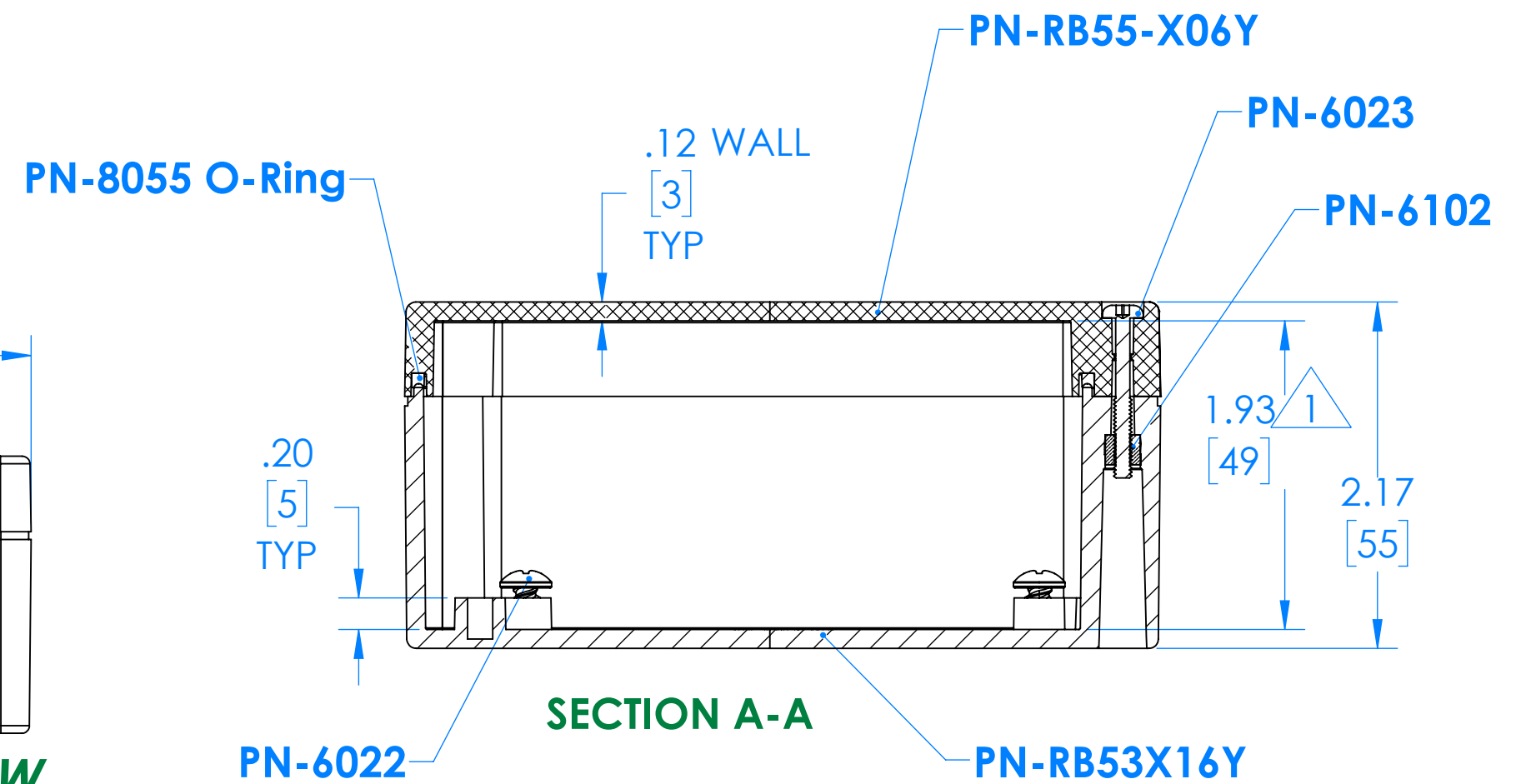
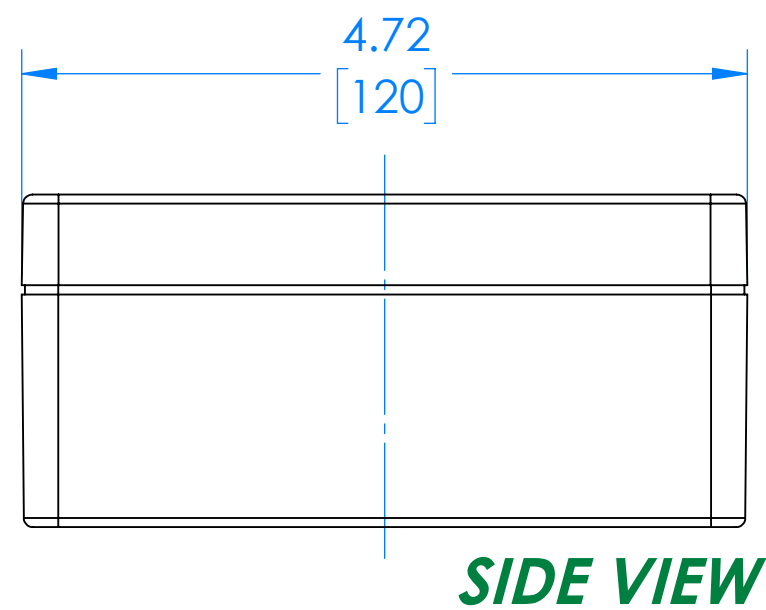
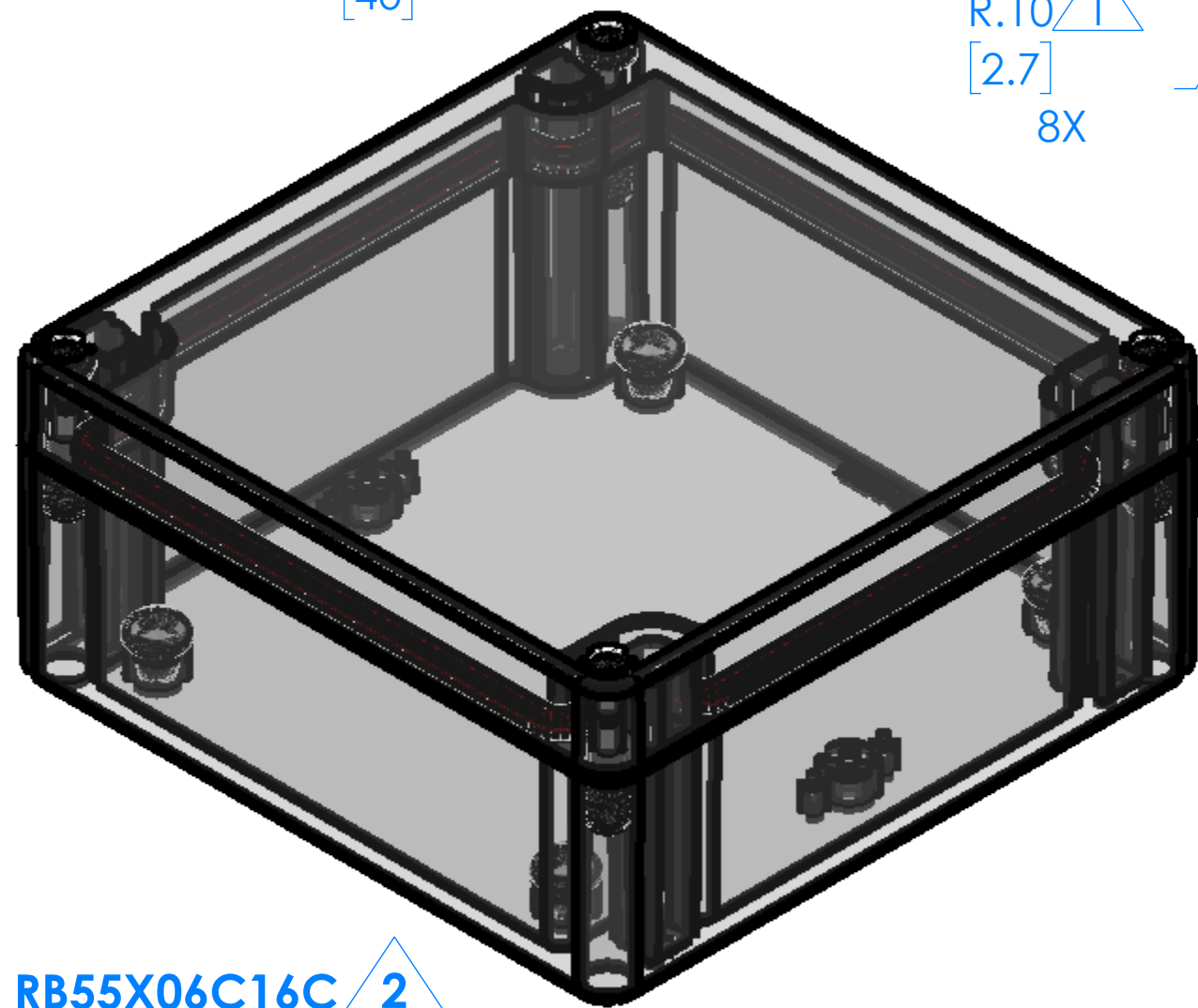
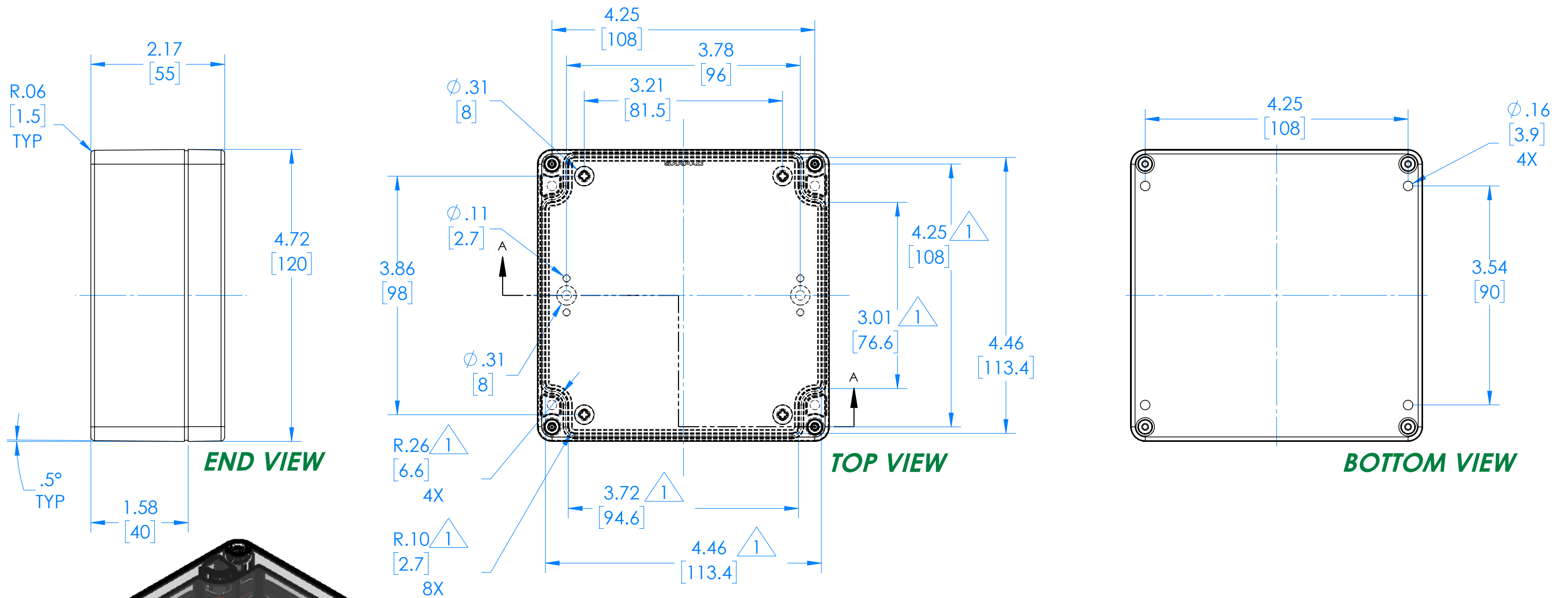


SERPAC RB55X06Y16Y

Electronic Enclosures



RB55X06C16C 2
(Part shown, no material (X) specified)

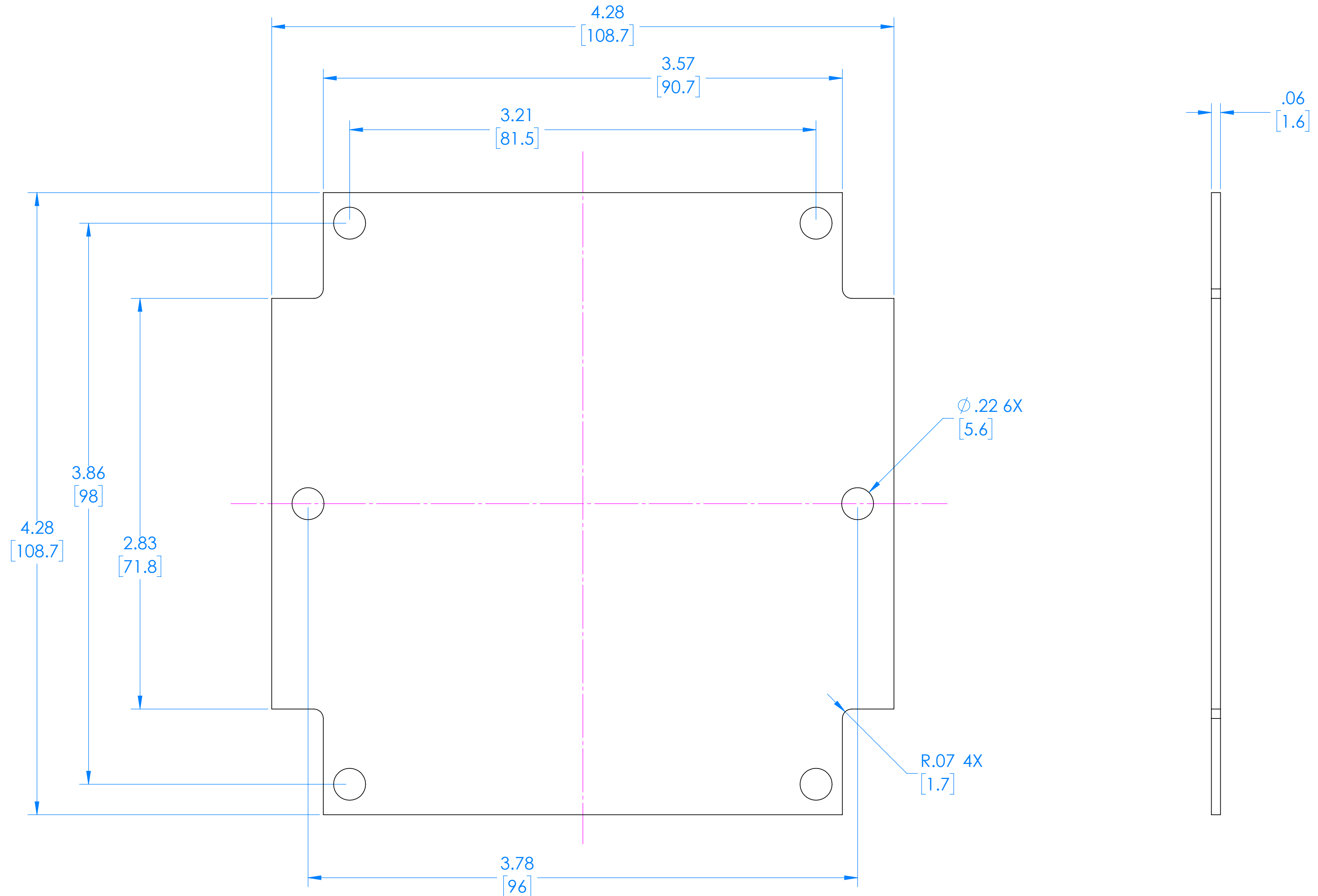
PN	Description
RB55-X06Y	(1) RB55-X06Y Top
RB55X16Y	(1) RB55X16Y Bottom
8055	(1) RB55 O-Ring
6023	(4) #4-40 Torx 10 Hd Screw
6022	(4) #10 High/Low Pan Hd x 1/4"
6102	(4) #4-40 Threaded Insert

- 1 = INTERIOR DIMENSIONS (@ BOTTOM)
- 2 = STANDARD COLORS (Y) ARE: BLACK (B), CLEAR (C) AND GRAY (G)
TOPS AND BOTTOMS ALL POSSIBLE COMBINATIONS AVAILABLE
STANDARD MATERIALS (X) IS: POLYCARBONATE (P)

-Watertight enclosure meets or exceed Nema 4 and or IP67.

DIMENSIONS in Inch [mm]

RB55 Circuit Board (Fits all Parts starting with RB55)



(REFERENCE ONLY)

DIMENSIONS in Inch
[mm]

ALL DIMENSIONS ARE $\pm .010''$
2009 Wright Ave, La Verne, Ca. 91750
Ph. (626) 331-0517 Fx. (626) 331-8584 serpac.com

6/22/2021