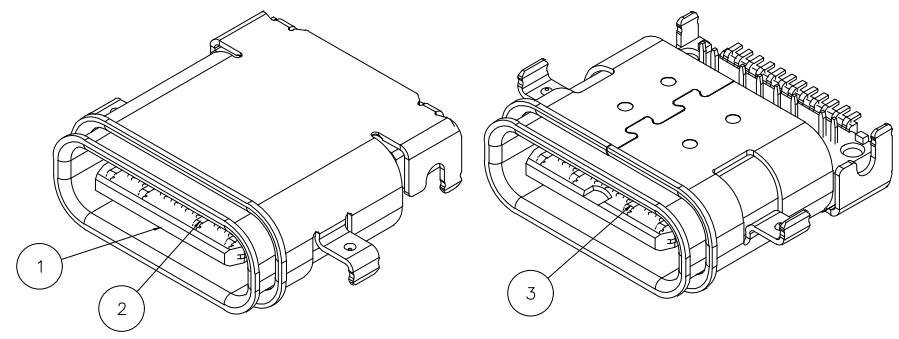


Pin	Signal Name	Mating Sequence	Pin	Signal Name	Mating Sequence
A1	GND	First	B12	GND	First
A2	SSTXp1	Second	B11	SSRXp1	Second
A3	SSTXn1	Second	B10	SSRXn1	Second
A4	Vbus	First	B9	Vbus	First
A5	CC1	Second	B8	SBU2	Second
A6	Dp1	Second	B7	Dn2	Second
A7	Dn1	Second	B6	Dp2	Second
A8	SBU1	Second	B5	CC2	Second
A9	Vbus	First	B4	Vbus	First
A10	SSRXn2	Second	B3	SSTXn2	Second
A11	SSRXp2	Second	B2	SSTXp2	Second
A12	GND	First	B1	GND	First
SHELL	GND		SHELL	GND	

DATE	REV	ECN	APP'D. BY
01/05/21	A0	-	AB
04/11/24	A1	12348	KAW
06/10/25	A2	12570	KAW

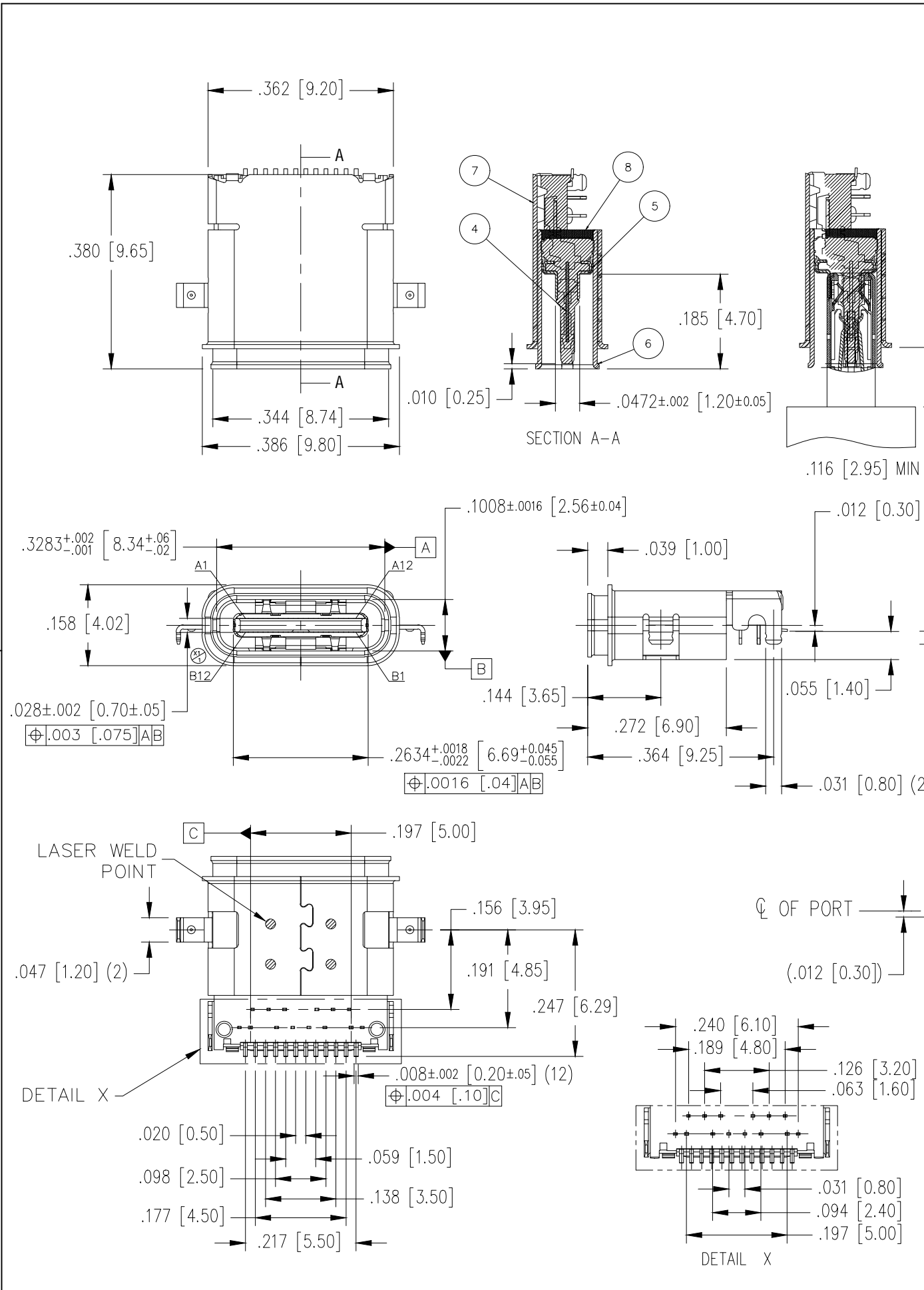
NOTES:

- CONNECTOR MATERIALS:
 - SEE TABLE
 - ELECTRICAL CHARACTERISTICS:
 - LOW LEVEL CONTACT RESISTANCE: INITIAL: 40 mΩ MAX., AFTER 50 mΩ MAX.
 - DIELECTRIC WITHSTANDING VOLTAGE: 100VAC FOR ONE MINUTE AT SEA LEVEL
 - INSULATION RESISTANCE: 100MΩ MIN. AT 250VDC
 - CURRENT RATING: 5A (VBUS PIN 1.5A/PIN), 5A (GND PIN 1.25A/PIN MAX.), 0.25A/PIN (OTHER PINS)
 - MECHANICAL CHARACTERISTICS:
 - MATING FORCE: 5-20N
 - UN-MATING FORCE: 8-20N; 6-20N AFTER 10,000 CYCLES
 - DURABILITY: 10,000 CYCLES
 - ENVIRONMENTAL:
 - OPERATING TEMPERATURE RANGE: -40°C TO 85°C
 - SALT SPRAY TEST: 48 HRS. MIN. (NO OXIDATION OR RUST)
 - WATER RESISTANCE: IPX7 (IMMERSED UP TO 1 METER FOR 30 MINUTES)
5. ADDITIONAL GASKETS MAY BE ORDERED AS STEWART CONNECTOR PART NUMBER 52400-001.

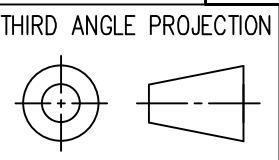


ITEM	QTY	NAME	MATERIAL	FINISH
8	1	REAR SEAL	EPOXY	BLACK
7	1	OUTER SHIELD	STAINLESS STEEL	NI
6	1	INNER SHIELD	STAINLESS STEEL	Ni
5	1	GROUND PLATE	STAINLESS STEEL	Ni
4	1	MID-PLATE	STAINLESS STEEL	NONE
3	12	TERMINAL B	COPPER ALLOY	15u" Au CONTACT AREA TIN SOLDER TAILS
2	12	TERMINAL A	COPPER ALLOY	15u" Au CONTACT AREA TIN SOLDER TAILS
1	1	HOUSING	THERMAL PLASTIC UL94 V-0	BLACK

PART NUMBER SS-52400-004



UNLESS OTHERWISE SPECIFIED, TOLERANCES ARE:
 .XXX [X.XX] ±.008 [0.20]
 .XX [X.X] ±0.012 [0.30]
 .X [X.] ±0.015 [0.38]
 ANGULAR
 .XXX' [X.XX'] ±1'
 .XX' [X.X'] ±3'
 .X' [X.] ±5'



DO NOT SCALE DRAWING
 DRAWING IS SUBJECT TO CHANGE WITHOUT NOTICE

DIMENSIONS: INCHES [METRIC]

SHEET NO. 1 OF 2



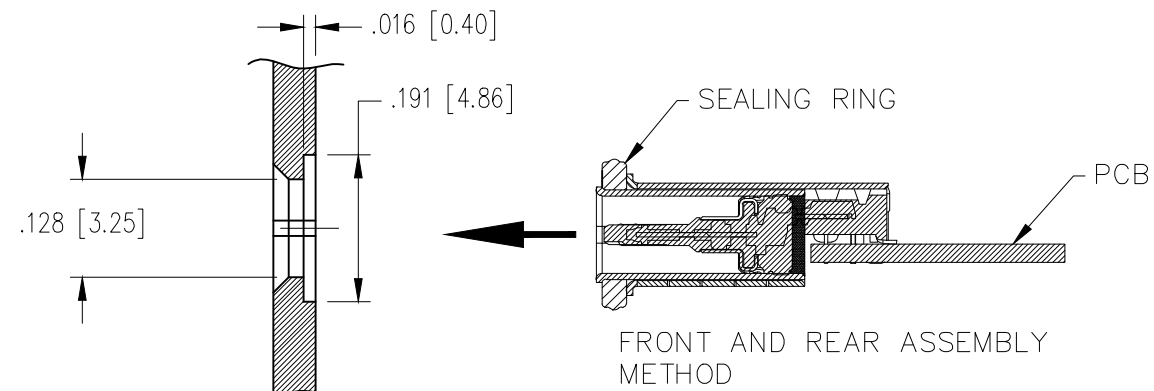
1118 Susquehanna Trail South
 Glen Rock, PA 17327-9199
 (717) 235-7512
<http://www.stewartconnector.com>

TITLE: USB 3.1 TYPE C WATERPROOF DIP TYPE
 CL HEIGHT FROM PCB .012" .30mm

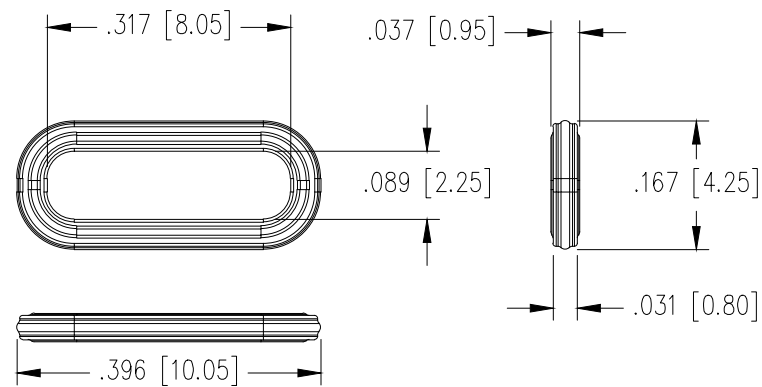
THIS DRAWING AND THE SUBJECT MATTER SHOWN THEREON ARE CONFIDENTIAL AND THE PROPRIETARY PROPERTY OF STEWART CONNECTOR AND SHALL NOT BE REPRODUCED, COPIED, OR USED IN ANY MANNER WITHOUT PRIOR WRITTEN CONSENT OF STEWART CONNECTOR. ONE OR MORE U.S. PATENTS MAY APPLY TO THIS PRODUCT. FOR DETAILS, PLEASE VISIT: [HTTP://BELFUSE.COM/STEWART/STEWART_PATENTS/](http://BELFUSE.COM/STEWART/STEWART_PATENTS/)

DRN BY:	GWL	DATE	01/04/21
APPD BY:	AB	DATE	01/05/21
DWG NO.	CT520013	REV.	A2

SUGGESTED SEALING METHOD



FRONT AND REAR ASSEMBLY METHOD

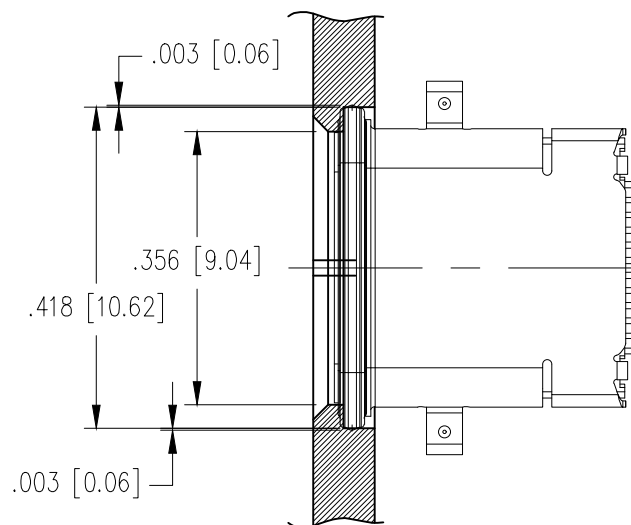
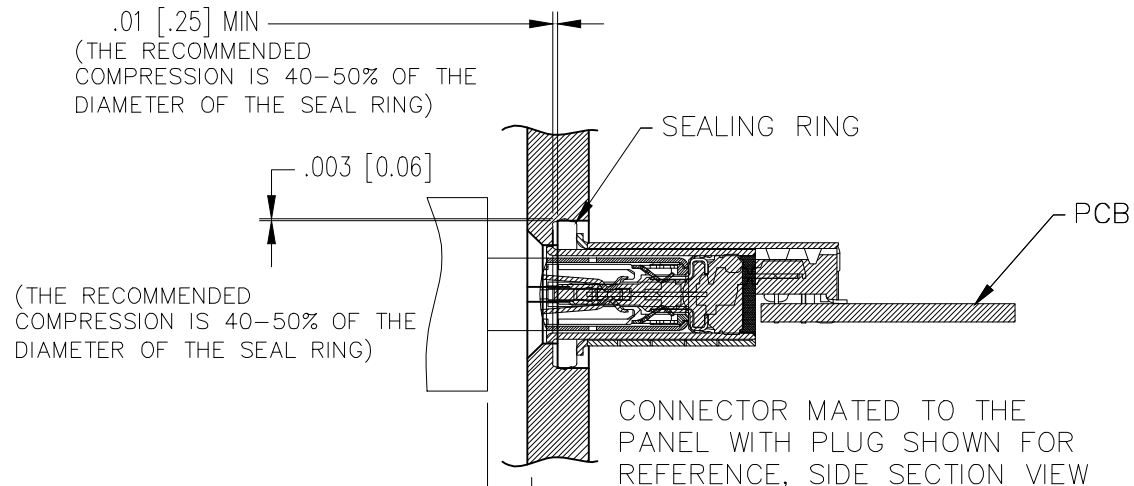


STEWART CONNECTOR P/N 52400-001
RECOMMENDED GASKET SPECIFICATIONS
(MATERIAL SILICONE RUBBER)

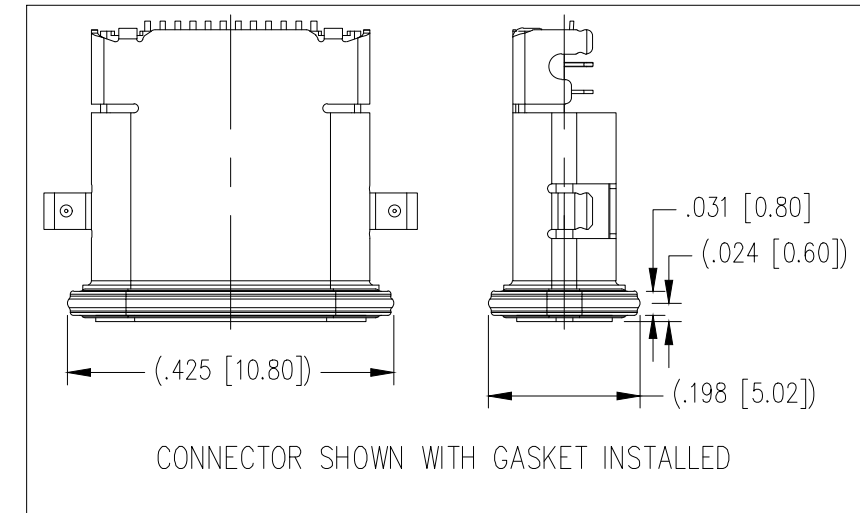
NOTE:
ADDITIONAL GASKETS MAY BE ORDERED
AS STEWART CONNECTOR PART NUMBER
52400-001.

B

B

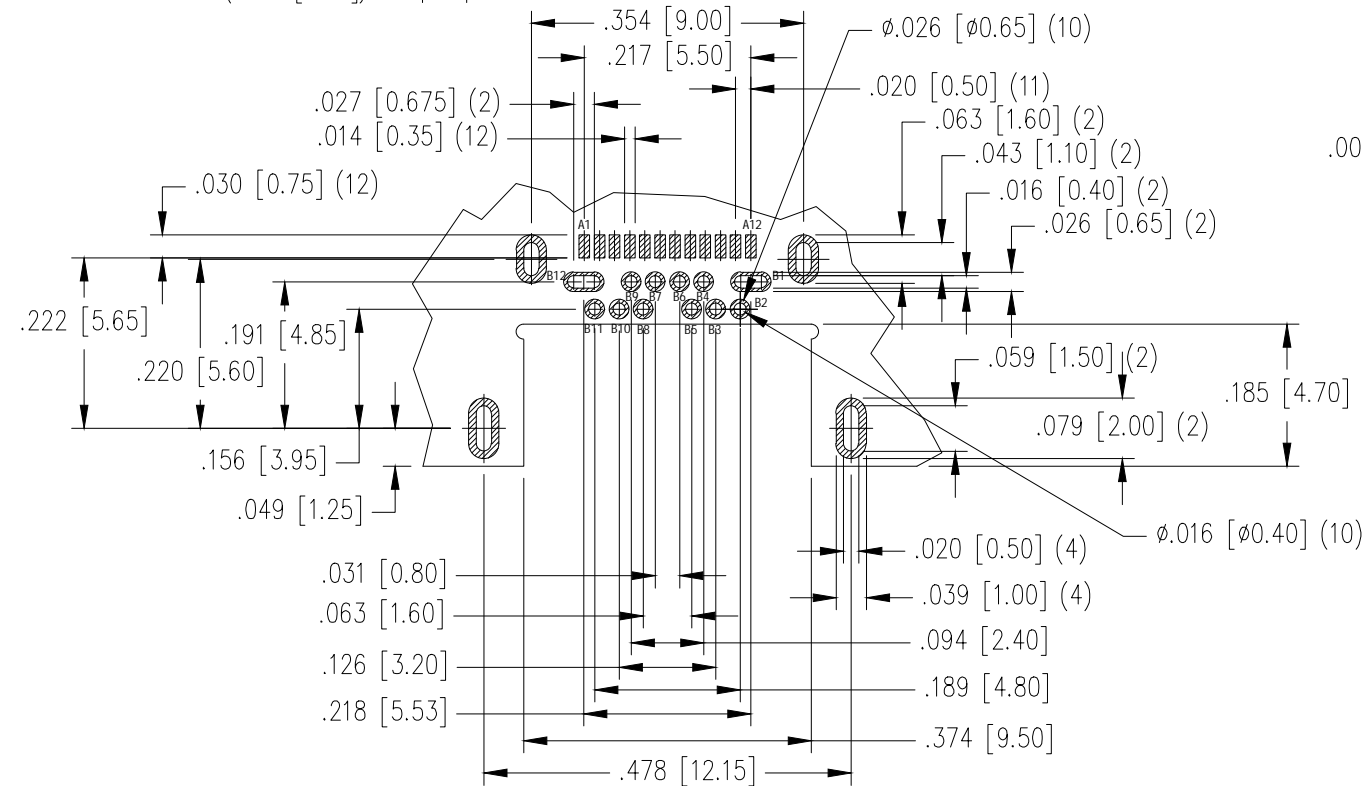


CONNECTOR MATED TO THE PANEL, TOP VIEW



A

A



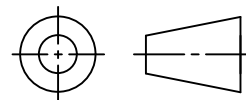
UNLESS OTHERWISE SPECIFIED, TOLERANCES ARE:

.XXX [X.XX]	±.008 [0.20]
.XX [X.X]	±0.012 [0.30]
.X [X.]	±0.015 [0.38]
ANGULAR	
.XXX° [X.XX']	±1'
.XX° [X.X']	±3'
.X° [X.]	±5'

RoHS



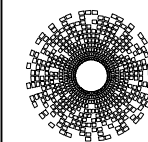
THIRD ANGLE PROJECTION



DO NOT SCALE DRAWING
DRAWING IS SUBJECT TO
CHANGE WITHOUT NOTICE

DIMENSIONS: INCHES [METRIC]

SHEET NO. 2 OF 2



stewart
CONNECTOR
a bel group

1118 Susquehanna Trail South
Glen Rock, PA 17327-9199
(717) 235-7512

<http://www.stewartconnector.com>

TITLE: USB 3.1 TYPE C WATERPROOF DIP TYPE
CL HEIGHT FROM PCB .012" .30mm

THIS DRAWING AND THE SUBJECT MATTER SHOWN THEREON ARE CONFIDENTIAL AND THE PROPRIETARY PROPERTY OF STEWART CONNECTOR AND SHALL NOT BE REPRODUCED, COPIED, OR USED IN ANY MANNER WITHOUT PRIOR WRITTEN CONSENT OF STEWART CONNECTOR. ONE OR MORE U.S. PATENTS MAY APPLY TO THIS PRODUCT. FOR DETAILS, PLEASE VISIT: [HTTP://BELFUSE.COM/STEWART/STEWART_PATENTS/](http://BELFUSE.COM/STEWART/STEWART_PATENTS/)

DRN BY:	GWL	DATE	01/04/21
APPD BY:	AB	DATE	01/05/21
DWG NO.	CT520013	REV.	A2