

HF
Halogen Free

NOTES:

1. MATERIAL:

- 1.1 HOUSING: HIGH TEMPERATURE THERMO PLASTIC UL94V-0;
COLOR: BLACK
- 1.2 CONTACT: COPPER ALLOY
- 1.3 LATCH: STAINLESS

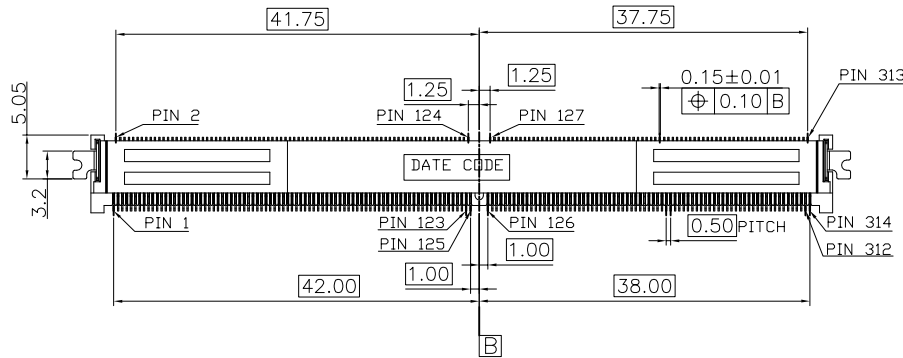
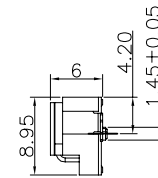
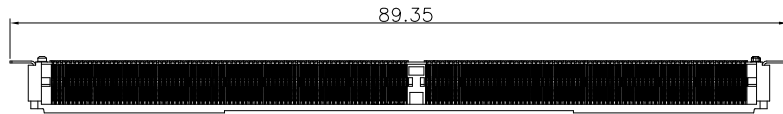
2. FINISH:

2.1 CONTACT:

CONTACT AREA: GOLD PLATING (THICKNESS SEE TABLE).
SOLDER AREA: GOLD FLASH
1.27um [50u"] MIN. NICKEL UNDERPLATING OVERALL.

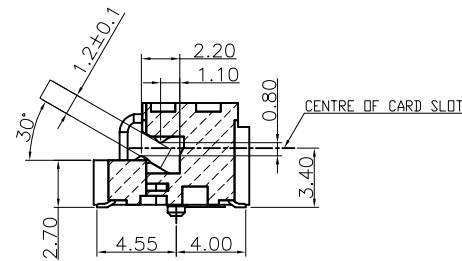
2.2 LATCH: 1.27um [50u"] MIN. MATTE TIN PLATING.

3. REFLOW SOLDER CAPABLE TO 260°C MAX.

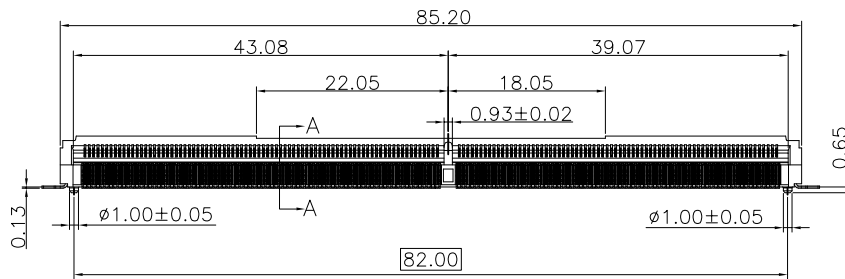


10160446-00XRLF

- LF: LEAD FREE
- PACKAGE CODE:
- R: REEL PACKING
- PLATING CODE:
- 1: GOLD FLASH
- 2: 5u" GOLD
- 3: 10u" GOLD
- 4: 15u" GOLD



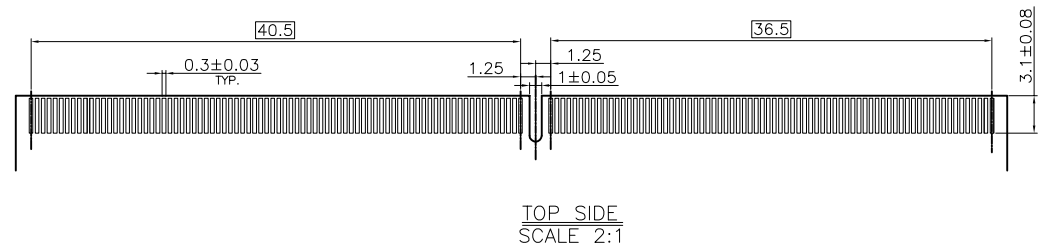
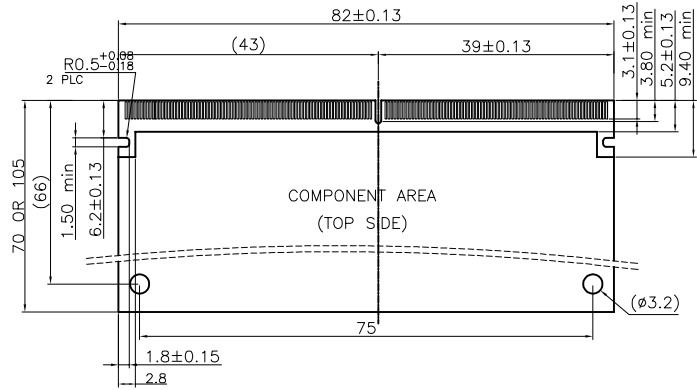
SECTION: A-A
SCALE 2:1



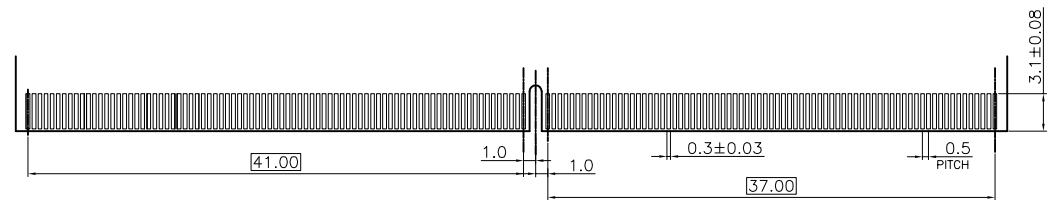
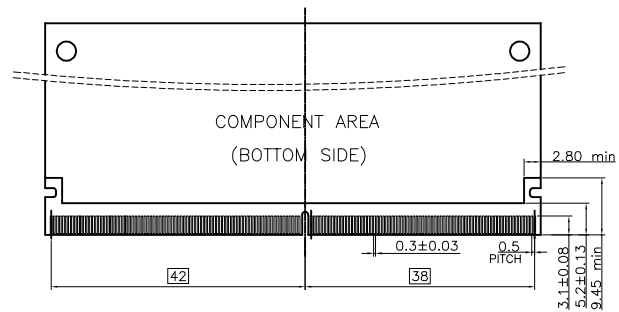
mat'l. code		-		surface	-	tolerance	ASME_Y14.5	projection	product family	MXM
ltr		ecn no	dr	date	tolerances unless otherwise specified			MM	title	
A					angles	linear	MM		MXM_GEN4_CONNECTOR	
					±2'	linear	scale N/A	6.0H_314P_SMT_TYPE		
					dr	WINSTON_ZHU	2020-10-09	Amphenol FCI	dwg no	
					enr	ZHENHUA_LIU	2020-10-09		sheet 1 of 4	
					chr				size	
					app	HEAVEN_CEN	2020-10-09		A4	
sheet index	revision sheet	A						type		CUSTOMER Drawing

HF
Halogen Free

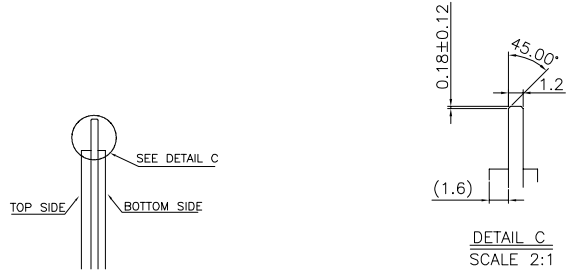
RECOMMENDED MODULE CARD



TOP SIDE
SCALE 2:1



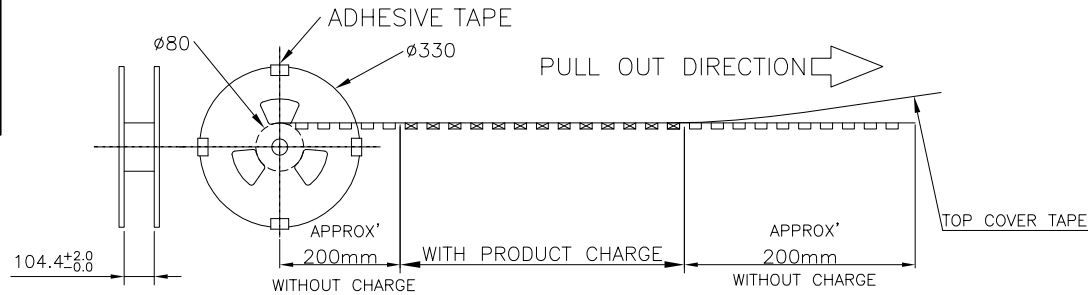
BOTTOM SIDE
SCALE 2:1



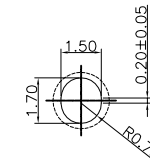
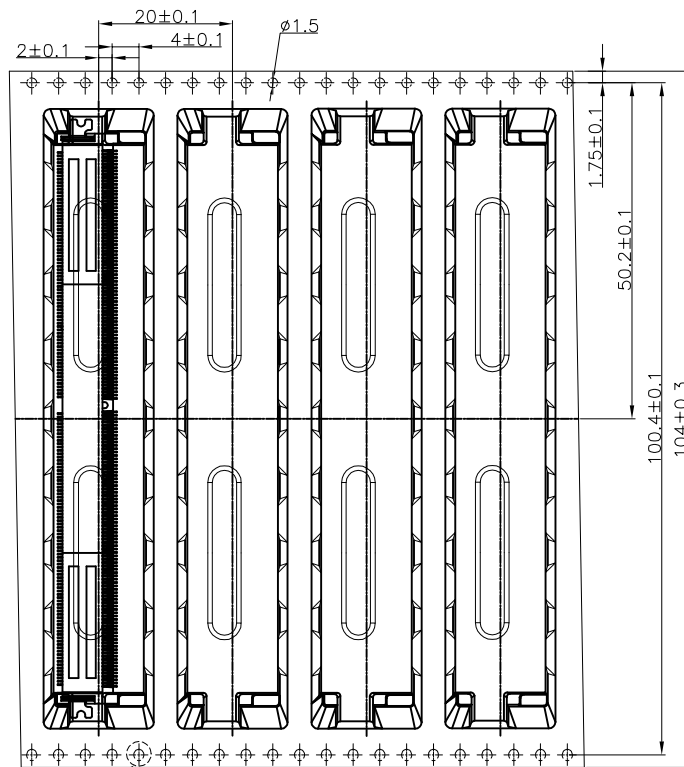
DETAIL C
SCALE 2:1

mat'l. code		-		surface		- <input checked="" type="checkbox"/> ASME_Y14.5		tolerance		ASME_Y14.5		projection		product family		MXM	
ltr		ecn no		dr		date		tolerances unless otherwise specified		MM		title		MXM_GEN4_CONNECTOR		5	
A								angles		Linear		scale N/A		6.0H_314P_SMT_TYPE			
								$\pm 2'$.02 ± 0.30		Amphenol FCI		dwg no		sheet 2 of 4	
								dr		.00 ± 0.20				10160446		size	
								engr		.000 ± 0.10				CUSTOMER Drawing		A4	
								chr									
								appd									
sheet index		revision sheet		A				WINSTON_ZHU		2020-10-09							
								ZHENHUA_LIU		2020-10-09							
								HEAVEN_CEN		2020-10-09							

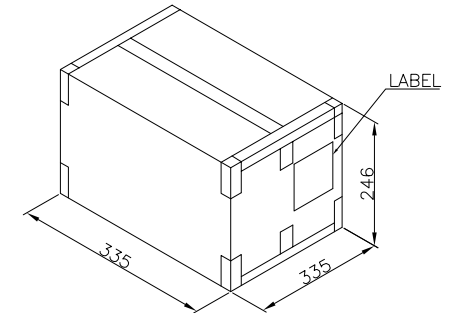
HF
Halogen Free



- NOTES :
- PACKAGING MATERIAL IN PLASTIC, RUBBER, INK, PIGMENT AND PAINT MUST MEET DEREN CONTROLLED SUBSTANCES SPEC.
 - * CADMIUM AND CADMIUM COMPOUNDS NOT TO EXCEED: 5 PPM.
 - * LEAD, CADMIUM, CHROM VI AND MERCURY NOT TO EXCEED: 100 PPM (COMBINED).
 - * CARRIER TAPES, COVER TAPES, REELS AND TAPED COMPONENTS MUST MEET THE REQUIREMENTS DEFINED PER EIA-481-B.
- MATERIAL :
COVER TAPE : ANTISTATIC POLYESTER , COLOR: CLEAR
CARRIER TAPE : HIPS
REEL : PS
SHIPPING BOX: CORRUGATED FIBER
 - DIMENSION :
REEL : SEE DRAWING
BOX : SEE DRAWING
 - QUANTITY : SEE TABLE
 - WEIGHT : SEE TABLE
 - PEELING RESISTANCE : 10gf~100gf (for 8mm)
10gf~130gf (for 12mm~56mm)
10gf~150gf (for 72mm)
 - PEELING SPEED : 300mm/MINUTES



DETAIL A
SCALE 4:1



450	2	900	10160446
PCS/ REEL	REEL/ CARTON	PCS/ CARTON	PART NUMBER

mat'l. code	-	surface	-	tolerance	ASME_Y14.5	projection	MM	product family	MXM
ltr	ecn no	dr	date	tolerances unless otherwise specified		MM	scale N/A	title	
A				angles	.0±.0.30			MXM_GEN4_CONNECTOR	
				±2'	.00±.0.20			6.0H_314P_SMT_TYPE	
		dr	WINSTON_ZHU	2020-10-09	.000±.0.10			dwg no	
		enr	ZHENHUA_LIU	2020-10-09				sheet 4 of 4	
		chr						size	
		appd	HEAVEN_CEN	2020-10-09				A4	
sheet index	revision sheet	A						type	
								CUSTOMER Drawing	