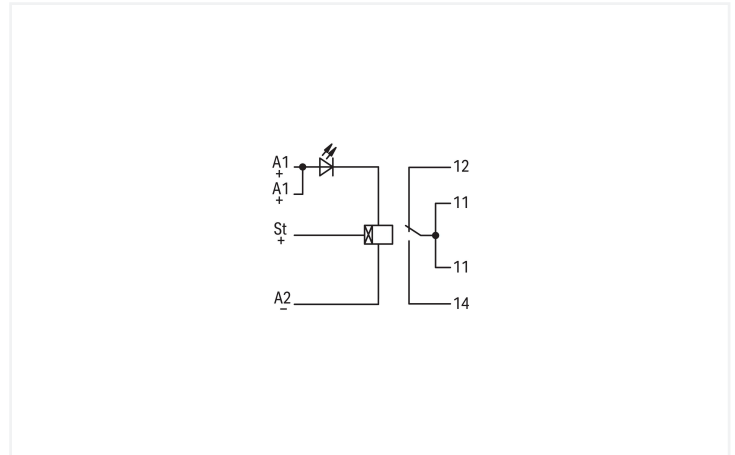


# Data Sheet | Item Number: 286-640/004-000

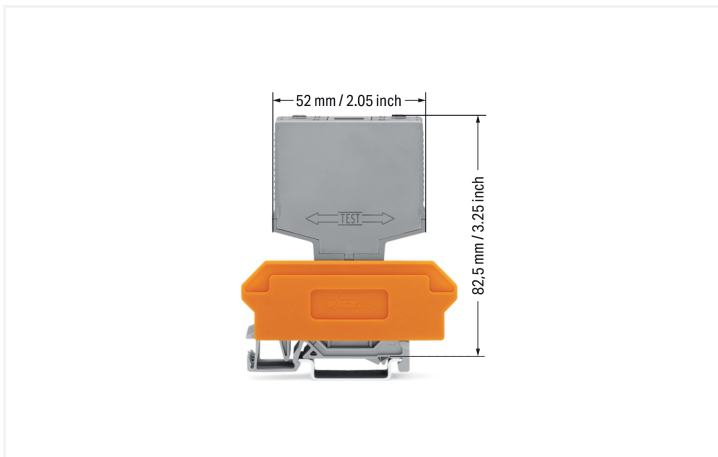
Timer relay module; Nominal input voltage: 24 VDC; Limiting continuous current: 5 A; Railway; Multifunction; Red status indicator; Module width: 20 mm; gray

<https://www.wago.com/286-640/004-000>



Color: ■ gray

Similar to illustration



OFF	ON	flashing	OFF	ON	10 s ... 100 s
OFF	ON	on-delay	OFF	ON	3 s ... 12 s
OFF	ON	pulsing	OFF	ON	0.3 s ... 3 s
OFF	ON	off-delay with auxiliary voltage	OFF	ON	100 s ... 800 s

Switch position / Function		Switch position / Time range		(s)
S1	S2	S3	S4	
OFF	OFF	OFF	OFF	100 - 800
OFF	ON	OFF	ON	0,3 - 3
ON	OFF	ON	OFF	3 - 12
ON	ON	ON	ON	10 - 100

Finely adjusting time within these ranges can be made with the trimming potentiometer. St+ is only connected with the function "off-delay with auxiliary voltage."

Technical data	
<b>Control circuit</b>	
Nominal input voltage $U_N$	24 VDC
Input voltage range	-30 ... +25 %
Nominal input current at $U_N$	24 mA
Time range	0.3 ... 3 s 3 ... 12 s 10 ... 100 s 100 ... 800 s
Reset time	100 ms
Repeat accuracy	1 %
<b>Load circuit</b>	
Number of changeover/switchover contacts	1
Contact material (relay)	AgNi + Au
Limiting continuous current	5 A
Inrush current (resistive) max.	(AC) 10 A / 4 s
Switching Voltage, Max.	250 VAC
Switching power (resistive) max.	AC 1250 VA
Bounce time (typ.)	2 ms
Electrical life (NO; resistive load; 23 °C)	100 x 10 <sup>3</sup> switching operations
Mechanical life	15 x 10 <sup>6</sup> switching operations

### Safety and protection

Rated Voltage	250 V
Rated impulse withstand voltage	4 kV
Pollution degree	2
Dielectric strength (control/load circuit) (AC, 1 min)	3 kVrms
Protection type	IP20

### Physical data

Width	20 mm / 0.787 inches
Height	52 mm / 2.047 inches
Depth from upper-edge of DIN-rail	82.5 mm / 3.25 inches
Note (dimensions)	Depth including carrier terminal block

### Mechanical data

Mounting type	Pluggable module for receptacle terminal blocks
---------------	---

### Material data

Note (material data)	<a href="#">Information on material specifications can be found here</a>
Color	gray
Fire load	0.748 MJ
Weight	34.1 g

### Environmental requirements

Ambient temperature (operation at U <sub>N</sub> )	-25 ... +70 °C
Processing temperature	-25 ... +50 °C
Operating altitude (max.)	2000 m

### Standards and Specifications

Standards/specifications	EN 60664-1 EN 50121-3-2
--------------------------	----------------------------

### Commercial data

Product Group	6 (INTERFACE ELECTRONIC)
PU (SPU)	10 (1) pcs
Packaging type	Box
Country of origin	DE
GTIN	4017332310635
Customs tariff number	85364900990

### Product Classification

UNSPSC	39122329
eCl@ss 10.0	27-37-16-05
eCl@ss 9.0	27-37-16-05
ETIM 9.0	EC001439
ETIM 10.0	EC001439
ECCN	NO US CLASSIFICATION

**Environmental Product Compliance**

CAS-No.	1303-86-2 7439-92-1 79-94-7
REACH Candidate List Substance	2,2',6,6'-tetrabromo-4,4'-isopropylidenediphenol Diboron trioxide Lead
RoHS Compliance Status	Compliant,With Exemption
RoHS Exemption	6(c) 7(a) 7(c)-I 7(c)-II
SCIP notification number (Austria)	afa81176-92ef-4537-875d-11a15cad72dc
SCIP notification number (Belgium)	3d146e62-9d99-4b3b-a42c-0bb3bef59aba
SCIP notification number (Bulgaria)	d2628aed-1f5a-4079-b19f-01e6d09fdba0
SCIP notification number (Czech Republic)	6ea6f2c8-7669-45b4-bc94-8c19da69bb96
SCIP notification number (Denmark)	58e37220-c597-4d09-9b90-f2e7b5c7f97b
SCIP notification number (Finland)	c67da60e-b7cf-4fe9-b8f0-44f5d470dc5f
SCIP notification number (France)	cd045138-71c3-4c28-ad5d-b57bb5ca9bcc
SCIP notification number (Germany)	c6fba547-9e20-48ab-a6da-5fb384c24224
SCIP notification number (Hungary)	54108314-6919-4afa-a886-7e801e3bb93d
SCIP notification number (Italy)	e6c3467a-95b3-4703-95be-4bd70d30d69c
SCIP notification number (Netherlands)	1a523582-2809-4ae1-8d76-05ead9885dce
SCIP notification number (Poland)	afb271bf-5f68-4412-bab5-e445683fa689
SCIP notification number (Romania)	3b28e1ee-a780-40b0-8176-b9e8915be993
SCIP notification number (Sweden)	e0448233-96eb-444c-8a90-2f6db035f583

**Approvals / Certificates**

**General approvals**



Approval	Standard	Certificate Name
EAC GZO Almaty Standart	TP TC 004/2011	EAC CoC 03078

**Downloads**

**Environmental Product Compliance**

Compliance Search
Environmental Product Compliance 286-640/004-000

## Documentation

Bid Text			
286-640/004-000	19.02.2019	xml 4.46 KB	<a href="#">↓</a>
286-640/004-000	27.03.2015	doc 27.50 KB	<a href="#">↓</a>

Instruction Leaflet			
Operation and Assembly Instructions Interface	V 1.0.0 02.04.2025	pdf 1246.19 KB	<a href="#">↓</a>

## CAD/CAE-Data

CAD data	
2D/3D Models 286-640/004-000	<a href="#">↓</a>

CAE data	
WSCAD Universe 286-640/004-000	<a href="#">↓</a>
ZUKEN Portal 286-640/004-000	<a href="#">↓</a>

## 1 Compatible Products

### 1.1 Optional Accessories

#### 1.1.1 Marking

##### 1.1.1.1 Marker



**Item No.: 209-701**

WSB marking card; as card; not stretchable; plain; snap-on type; white

### 1.1.2 Terminal blocks

#### 1.1.2.1 Terminal block for pluggable modules



**Item No.: 280-638**

Terminal block for pluggable modules; 8-pole; with 2-conductor terminal blocks; with orange separator; for DIN-rail 35 x 15 and 35 x 7.5; 2.5 mm<sup>2</sup>; CAGE CLAMP®; 2,50 mm<sup>2</sup>; gray



**Item No.: 280-764**

Terminal block for pluggable modules; 8-pole; with 4-conductor terminal blocks; with marker carrier; with orange separator; for DIN-rail 35 x 15 and 35 x 7.5; 2.5 mm<sup>2</sup>; CAGE CLAMP®; 2,50 mm<sup>2</sup>; gray

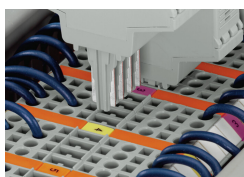


**Item No.: 280-628**

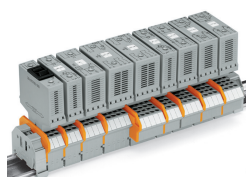
Terminal block for pluggable modules; 8-pole; with 4-conductor terminal blocks; with orange separator; for DIN-rail 35 x 15 and 35 x 7.5; 2.5 mm<sup>2</sup>; CAGE CLAMP®; 2,50 mm<sup>2</sup>; gray

## Installation Notes

### Installation



Coding ensures correct polarity.



Pluggable electronic modules on 2- or 4-conductor carrier terminal blocks

## Marking



Marking via WMB Multi Marking System.

## Testing



Function testing via touch-proof test slots