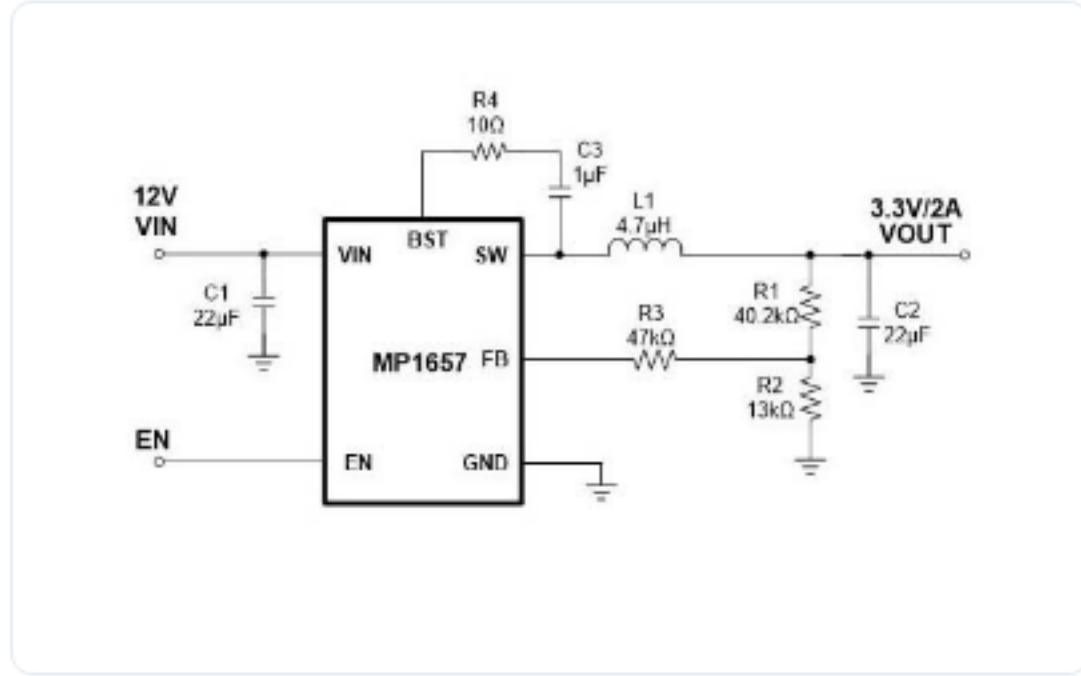


MP1657

# MP1657

16V, 2A, 800kHz, High-Efficiency, Synchronous, Step-Down Converter In a SOT563 Package

Active


## Description

The MP1657 is a fully integrated, highfrequency, synchronous, rectified, step-down, switch-mode converter with internal power MOSFETs. The MP1657 offers a very compact solution that achieves 2A of continuous output current with excellent load and line regulation over a wide input range. The MP1657 uses synchronous-mode operation for higher efficiency over the output current-load range.

**Active Part Numbers:** [MP1657GTF-P](#) [MP1657GTF-Z](#)

## Design Resources

### Design Tools

- MPSmart Model** Model of this part to simulate in MPSmart Software
- MPSmart Simulation** Software to simulate MPS ICs

### Symbol, Footprint & 3D Model

30+ more formats 
 Symbols (36)
 Footprint (34)
 3D Models (15)

**Manufacturer: Monolithic Power Systems**  
**Part Number: MP1657**

EDA model is not yet available for this part. Please enter your email address and we will notify you when it is released

I have read and agree to the Ultra Librarian [Privacy Policy](#)

Submit Request
Model Feedback

## Buy direct from MPS

**Standard Pricing**

[Talk to an Engineer or get a Quote](#)

Contact Us

## Technical Forum

[Visit the MPS Technical Forum](#)

## Quality Policy, Certificates & Reliability Reports

All MPS parts are lead-free, halogen-free and adhere to the RoHS directive. See Environmental section for details.

[SEE ALL QUALITY DOCUMENTS >](#)

 <b>Quality Policy</b> <a href="#">DOWNLOAD</a>	 <b>ISO Certificate</b> <a href="#">DOWNLOAD</a>	 <b>RoHS/Lead Free Policy</b> <a href="#">DOWNLOAD</a>
---	--	--