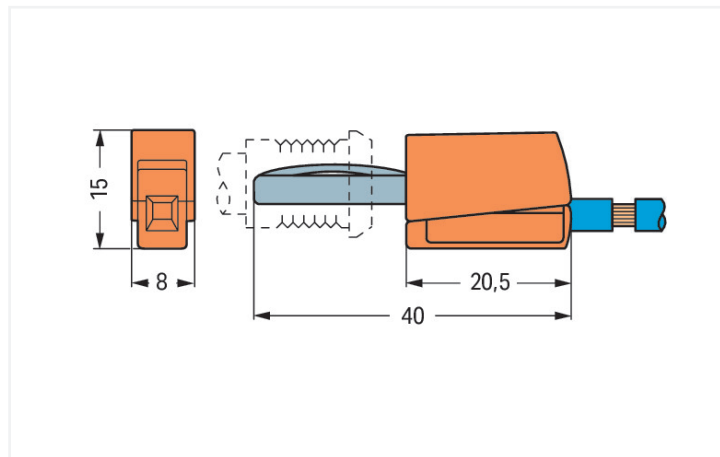
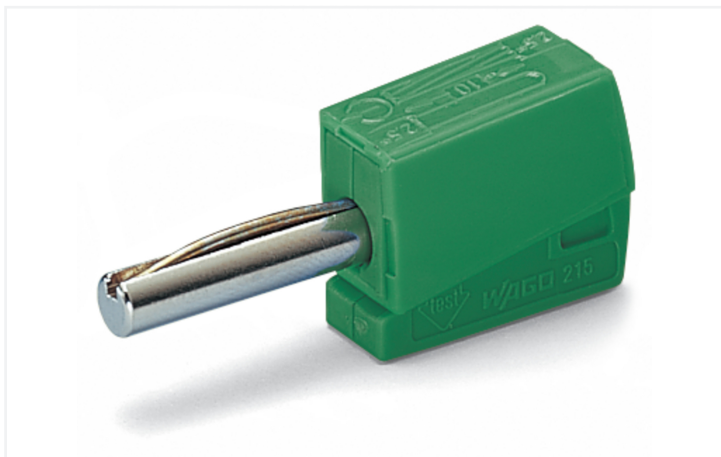


Data Sheet | Item Number: 215-411
Banana plug; for socket 4 mm Ø; 2,50 mm²; green

<https://www.wago.com/215-411>



Color: ■ green

Dimensions in mm

Technical data

Total number of potentials	1
----------------------------	---

Electrical data

Rated current	20 A
Test voltage	42 V

Connection Data

Connection technology	CAGE CLAMP®
Strip length	9 ... 11 mm / 0.35 ... 0.43 inches
Clamping units	1
Solid conductor	0.08 ... 2.5 mm ² / 28 ... 14 AWG
Fine-stranded conductor	0.08 ... 2.5 mm ² / 28 ... 14 AWG

Physical data

Width	8 mm / 0.315 inches
Height	15 mm / 0.591 inches
Depth	40 mm / 1.575 inches

Material data

Color	green
Fire load	0.035 MJ
Weight	3.9 g

Commercial data

Product Group	2 (Terminal Block Accessories)
PU (SPU)	50 pcs
Packaging type	Box
Country of origin	DE
GTIN	4045454293505
Customs tariff number	85366990990

Product Classification

UNSPSC	39121421
eCl@ss 10.0	27-44-03-13
eCl@ss 9.0	27-44-03-13
ETIM 9.0	EC002255
ETIM 10.0	EC002255
ECCN	NO US CLASSIFICATION

Environmental Product Compliance

CAS-No.	7439-92-1
REACH Candidate List Substance	Lead
RoHS Compliance Status	Compliant,With Exemption
RoHS Exemption	6(c)
SCIP notification number (Austria)	fad4b759-fd8c-44c0-a40c-b8aa0ccbe4bf
SCIP notification number (Belgium)	9c65cdbc-51a7-4ed6-8be1-b312c2933b8f
SCIP notification number (Bulgaria)	a7b3249d-e131-483d-b5fb-9f57b556a9e6
SCIP notification number (Czech Republic)	e928e70b-9d5a-4b1e-b660-235d73eaa846
SCIP notification number (Denmark)	86c14974-5f08-4cab-af47-cb7fa7bc96de
SCIP notification number (Finland)	c7929fdf-f997-4ee1-8dd6-34d17f845baf
SCIP notification number (France)	a671efa4-196e-42c3-a8d2-13515cae40dd
SCIP notification number (Germany)	f22d61d1-462f-4eae-bae6-68ce4cc3b654
SCIP notification number (Hungary)	3ce963ef-b458-4a57-a3fd-a3c2516d32a7
SCIP notification number (Italy)	e9407dcc-a252-4282-873b-3a2d1b31a2e5
SCIP notification number (Netherlands)	b007cdbd-c168-4c36-96dc-b332a47431b0
SCIP notification number (Poland)	bc2a05f4-8aac-4cee-be5d-058153665070
SCIP notification number (Romania)	7ef0b180-1132-4895-8d93-d69a01beb337
SCIP notification number (Sweden)	7c6f76cf-fda7-4e81-a2ff-7d22c2312575

Downloads

Environmental Product Compliance

Compliance Search

Environmental Product
Compliance 215-411



Documentation

Bid Text

215-411	19.02.2019	xml 3.02 KB	↓
215-411	19.09.2017	doc 25.00 KB	↓

CAD/CAE-Data

CAD data

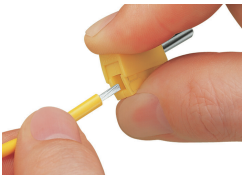
2D/3D Models 215-411	↓
----------------------	---

CAE data

EPLAN Data Portal 215-411	↓
WSCAD Universe 215-411	↓

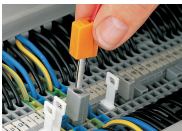
Installation Notes

Conductor termination



Conductor termination: Press button fully, insert stripped conductor into square entry and release.

Testing



Testing via banana plug.
Picture shows a test plug adapter (Item No. 209-170).