

P	LTR	DESCRIPTION	DATE	DWN	APVD
	A	GTP PER ECN-25-338513	17AUG2025	ED	WZ

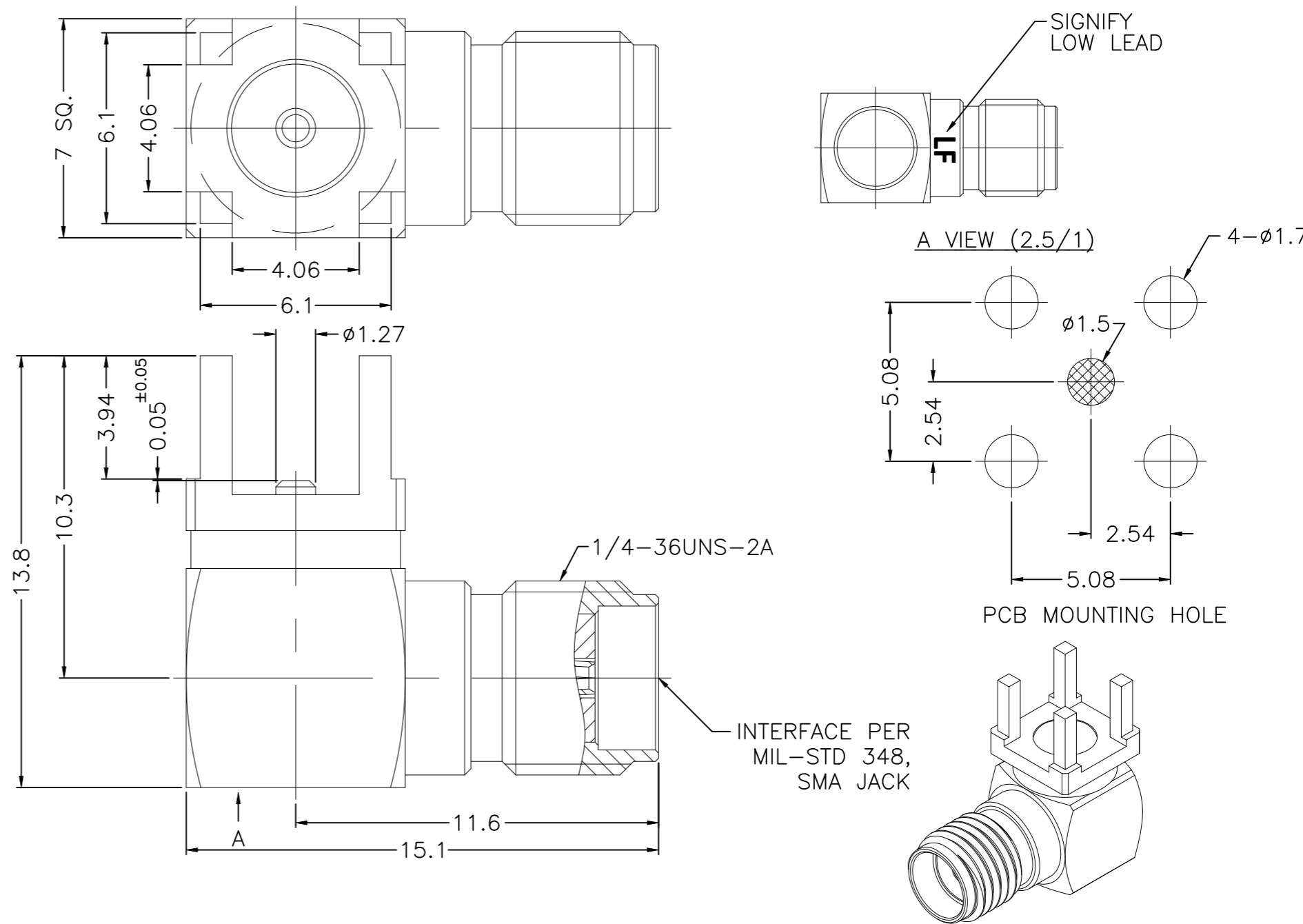
MATERIALS AND PLATING		UNIT: MICRO-INCHES
PART NAME	MATERIAL	PLATING
BODY/HOUSING	LOW LEAD BRASS	GOLD 3u"/NICKEL 50u"/COPPER 50u"
CONTACT PIN 1	LOW LEAD BeCu	GOLD 3u"/NICKEL 50u"/COPPER 50u"
INSULATOR	PTFE ASTM-D-1710	NATURAL
CONTACT PIN 2	LOW LEAD BRASS	GOLD 3u"/NICKEL 50u"/COPPER 50u"
COVER	LOW LEAD BRASS	GOLD 3u"/NICKEL 50u"/COPPER 50u"

ELECTRICAL CHARACTERISTICS	
IMPEDANCE	50 Ω
VOLTAGE RATING	335 V(rms)
FREQUENCY RANGE	DC~18 GHz
DIELECTRIC WITHSTANDING VOLTAGE	>1000 V
CONTACT RESISTANCE	CENTER CONTACT <3.0 mΩ
	OUTER CONTACT <2.0 mΩ
INSULATION RESISTANCE	>5000 MΩ
INSERTION LOSS	0.25dB MAX
VSWR	<1.30
3RD INTERMODULATION	N/A

MECHANICAL CHARACTERISTICS	
DURABILITY	> 500 cycles

ENVIRONMENTAL PARAMETER	
TEMPERATURE RANGE	-65 °C~+165 °C
WATERPROOF	/
THERMAL SHOCK	MIL- STD 202, Meth. 107,Cond. B
VIBRATION	MIL- STD 202, Meth. 204,Cond. D
SHOCK	MIL- STD 202, Meth. 213,Cond. I
CORROSION	MIL- STD 202, Meth. 101,Cond. B

NOTES:
 1 TRAY PACKAGING AND DETAIL PACKAGING SPEC IS IN PAGE 2;
 2 ALL DIMENSIONS ARE NOMINAL FOR REFERENCE ONLY UNLESS OTHERWISE STATED.



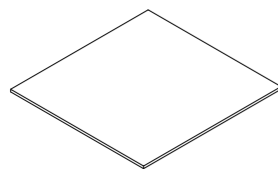
LOW LEAD VERSION, RoHS (Pb < 100ppm), REACH	2508905-1
MARK	PART NUMBER

THIS DRAWING IS A CONTROLLED DOCUMENT.		DWN ED 16JUN2025	STE TE Connectivity Ltd.			
		CHK TP 16JUN2025				
		APVD WH 16JUN2025	NAME			
		PRODUCT SPEC	SMA Jack RA SMD Pin Lead Free 18GHz			
		APPLICATION SPEC				
		WEIGHT	SIZE	CAGE CODE	DRAWING NO	RESTRICTED TO
			A3	00779	C-2508905	
		CUSTOMER DRAWING	SCALE	SHEET	REV	
			1:1	1 OF 2	A	

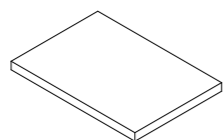
TRAY PACKAGING

UNLESS OTHERWISE SPECIFIED TOLERANCES

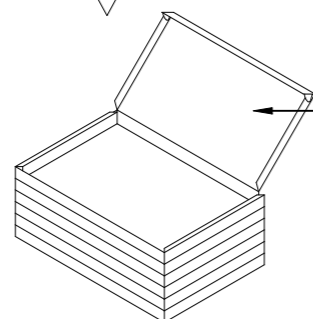
- 0.5-6 = ±0.2
- 6-30 = ±0.4
- 30-120 = ±0.6
- 120-315 = ±1
- 315-1000 = ±1.6
- 1000-2000 = ±2.4



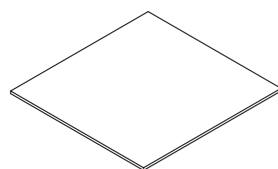
Place a cardboard on the top of the boxes.



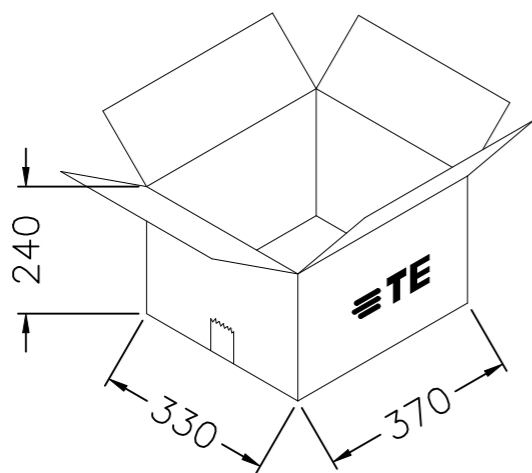
Pack 100 pcs per tray.



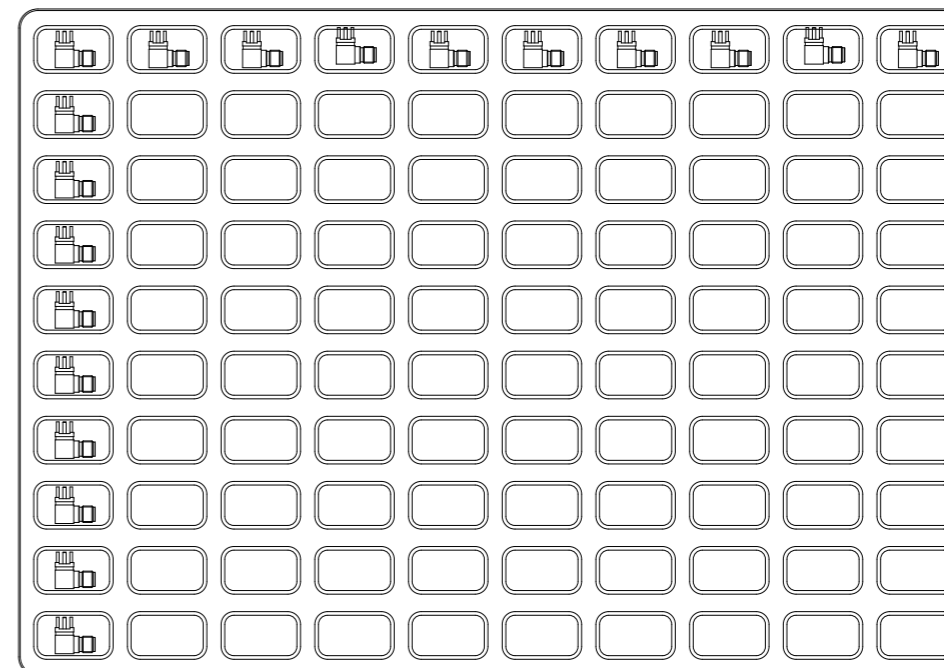
There is 1 tray per inner box, total of 6 inner boxes.



Place a cardboard on the bottom of the boxes.



REVISIONS					
P	LTR	DESCRIPTION	DATE	DWN	APVD
	-	SEE SHEET 1	-	-	-



- NOTE: 1. 100 pcs / Tray, 1 tray = 1 inner box
 2. 6 inner box = 600 pcs

THIS DRAWING IS A CONTROLLED DOCUMENT.		DWN	ED	16JUN2025	TE Connectivity Ltd.	
		CHK	TP	16JUN2025		
		APVD	WH	16JUN2025		
DIMENSIONS: mm		TOLERANCES UNLESS OTHERWISE SPECIFIED:			NAME	
		0 PLC	± -	SMA Jack RA SMD Pin Lead Free 18GHz		
		1 PLC	± -	-		
		2 PLC	± -	-		
		3 PLC	± -	-		
		4 PLC	± -	-		
		ANGLES	± 5°	-		
MATERIAL		FINISH			SIZE	RESTRICTED TO
-		-			A3	-
		WEIGHT			CAGE CODE	DRAWING NO
		-			00779	C-2508905
CUSTOMER DRAWING				SCALE	SHEET	REV
				1:1	2 OF 2	A