

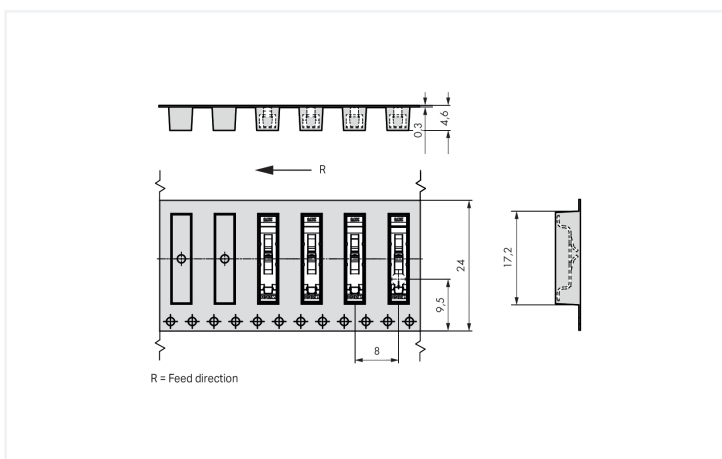
# Data Sheet | Item Number: 2075-381/997-404

Through-Board SMD PCB Terminal Block; Pin spacing 3 mm; 1-pole; PUSH WIRE®; in tape-and-reel packaging; Without housing; silver-colored

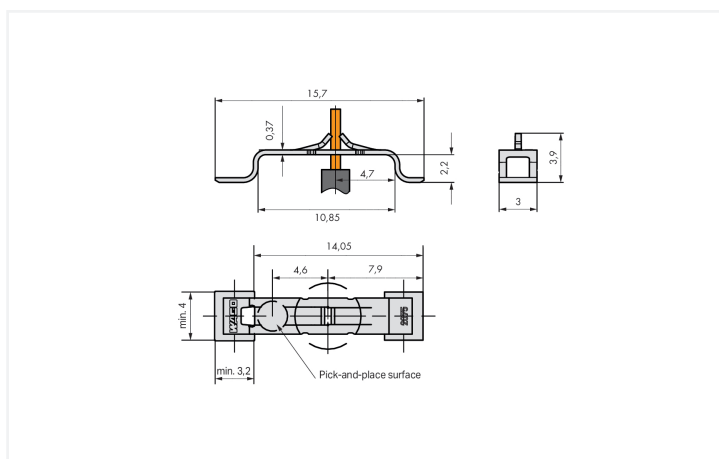
<https://www.wago.com/2075-381/997-404>



Color: ■ silver-colored



Dimensions in mm



Dimensions in mm

## PCB terminal block, 2075 Series, Push-in

Easily, quickly and safely connect conductors with this PCB terminal block (item number 2075-381/997-404). It offers the flexibility needed for different mounting types. Ensure that the strip lengths are 3.7 mm when connecting conductors to this PCB terminal block. Featuring one conductor terminal along with PUSH WIRE®, this connector is highly versatile. Our PUSH WIRE® connection uses the stiffness of the conductor to overcome the clamping spring's contact force, allow-

ing faster and easier conductor clamping. Dimensions: (3 x 3.9 x 17.5) mm (width x height x depth). Depending on the type of conductor, this PCB terminal block is designed for conductor cross sections ranging from 0.34 mm<sup>2</sup> to 0.75 mm<sup>2</sup>.

Tin is used for coating the contact surfaces. This PCB terminal block is operated with a push-in. SMD is used to solder the PCB terminal block. The conductor is designed to be inserted into the board at a 90° angle.

## Notes

Note	Terminal block without insulation housing!
	Protection against accidental contact must be provided at voltages higher than low voltages (e.g., SELV/PELV) for the relevant application.

## Electrical data

Ratings per	IEC/EN 60664-1			Approvals per	UL 1977
Overvoltage category	III	III	II	Rated voltage	600 V
Pollution degree	3	2	2	Rated current	9 A
Nominal voltage	-	-	500 V		
Rated impulse withstand voltage	-	-	4 kV		
Rated current	-	-	9 A		

## Connection Data

Clamping units	1	<b>Connection 1</b>	
Total number of potentials	1	Connection technology	PUSH WIRE®
Number of connection types	1	Actuation type	Push-in
Number of levels	1	Solid conductor	0.34 ... 0.75 mm <sup>2</sup> / 20 ... 18 AWG
		Strip length	3.7 mm / 0.15 inches
		Conductor connection direction to PCB	90°
		Pole number	1

## Physical data

Width	3 mm / 0.118 inches
Height	3.9 mm / 0.154 inches
Depth	17.5 mm / 0.689 inches
Reel diameter of tape-and-reel packaging	330 mm
Tape width	24 mm

## PCB contact

PCB contact	SMD
Number of solder pins per potential	2

### Material data

Note (material data)	<a href="#">Information on material specifications can be found here</a>
Color	silver-colored
Flammability class per UL94	V0
Clamping spring material	Copper alloy
Contact material	Electrolytic copper (E <sub>Cu</sub> )
Contact Plating	Tin
Weight	0.2 g

### Environmental requirements

Limit temperature range	-60 ... +105 °C
-------------------------	-----------------

### Commercial data

PU (SPU)	18000 (2000) pcs
Packaging type	Box
Country of origin	CH
GTIN	4055143607636
Customs tariff number	85369010000

### Product Classification

UNSPSC	39121409
eCl@ss 10.0	27-14-11-06
eCl@ss 9.0	27-14-11-06
ETIM 9.0	EC001284
ETIM 10.0	EC001284
ECCN	NO US CLASSIFICATION

### Environmental Product Compliance

RoHS Compliance Status	Compliant, No Exemption
------------------------	-------------------------

### Approvals / Certificates

#### General approvals



Approval	Standard	Certificate Name
CB DEKRA Certification B.V.	IEC 60998	NL-57046
cURus Underwriters Laboratories Inc.	UL 1977	E45171
KEMA/KEUR DEKRA Certification B.V.	EN 60998	71-107567

#### Declarations of conformity and manufacturer's declarations

Approval	Standard	Certificate Name
EU-Declaration of Conformity WAGO GmbH & Co. KG	-	-
UK-Declaration of Conformity WAGO GmbH & Co. KG	-	-

## Downloads

### Environmental Product Compliance

#### Compliance Search

Environmental Product  
Compliance  
2075-381/997-404



## Documentation

### Additional Information

Technical Section

03.04.2019

pdf

2027.26 KB



## CAD/CAE-Data

### CAD data

2D/3D Models  
2075-381/997-404



### CAE data

ZUKEN Portal  
2075-381/997-404

