

PRODUCT NUMBER

20020034-XXXXXXLF

20020034-

LF

B 0

LF

PITCH

G: 5.00 mm

H: 5.08 mm

POLES

02: 2 POLES

03: 3 POLES


1 : STANDARD PRODUCT

W/ BOX PACKING

24: 24 POLES

HOUSING CODE

CODE	COLOR	AVAILABILITY
1	GREEN(RAL 6018/T)	STANDARD
2	BLACK	ON REQUEST ONLY
3	GREY(RAL 7004/P)	ON REQUEST ONLY
4	BLUE(RAL 5015/A)	ON REQUEST ONLY

PROPERTY TABLE	
FCI SERIES NAME	35-500 35-508
PITCH (mm)	5.00 5.08
VOLTAGE RATING (VAC)	300 300
CURRENT RATING (A)	10 10
APPLICABLE WIRE RANGE (AWG)	1-WIRE 12~26 12~26
	2-WIRE NA NA
WIRE CROSS SECTION (mm <sup>2</sup> )	1-WIRE 2.5 2.5
	2-WIRE NA NA
WIRE CROSS SECTION (mm <sup>2</sup> )	1-WIRE 2.5 2.5
	2-WIRE NA NA
OPENING CONTACT HOUSING(mm <sup>2</sup> )	2.4x3.0 2.2x2.7
WIRE STRIP LENGTH(mm)	9~10 9~10
WITHSTANDING VOLTAGE (kV)	1.6 1.6
OPERATING TEMP. (°C)	-40~+115 -40~+115
POLES AVAILABLE	02~24 02~24
SAFETY CERTIFICATE	

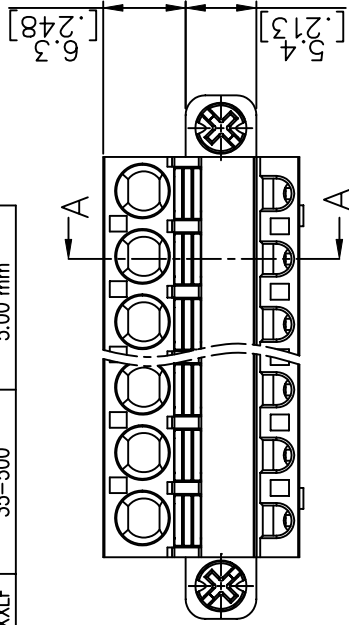
NOTES:

1. MATERIALS

- 1-1 HOUSING: THERMALPLASTIC RESIN, UL 94V-0 RATED.
- 1-2 INSULATING LEVER: THERMALPLASTIC RESIN, UL 94V-0 RATED.
- 1-3 WIRE GUARD : STAINLESS STEEL.
- 1-4 TERMINAL: COPPER ALLOY, TIN PLATED.
- 1-5 SCREW: STEEL, ZINC PLATED.
- 2. PRODUCT SPECIFICATION REFER TO FCI GS-12-625.
- 3. PRODUCT PACKING SPECIFICATION REFER TO FCI GS-14-1394.
- 4. FCI, SAFETY CERTIFICATE LOGO AND SERIES NAME TO BE SHOWN ON PRODUCT SURFACE.
- 5. THE PRODUCTS WHERE THE PART NUMBER END IN "LF" MEET THE EUROPEAN UNION DIRECTIVE AND OTHER COUNTRY REGULATIONS AS DESCRIBED IN GS-22-008.

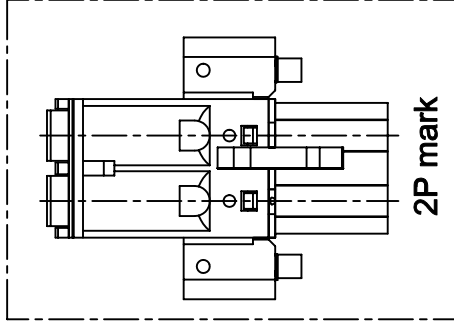
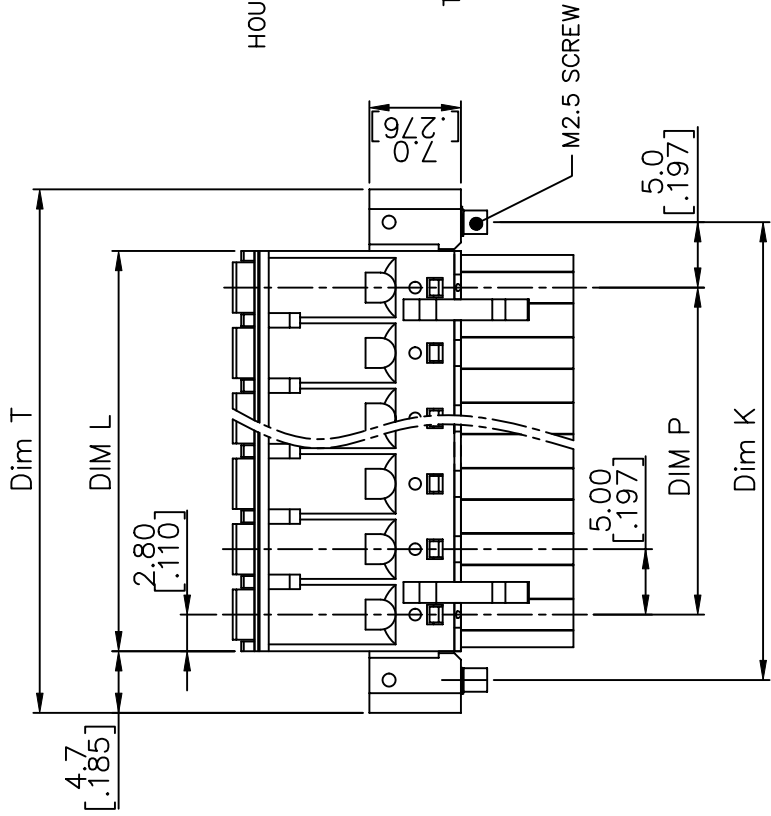
mat'l. code		surface	tolerance	projection	product family	TERMINAL BLOCK
ltr	ecn no	dr	date	ASME Y14.5	ASME Y14.5	title
A	T11-0004	WL	011811	tolerances unless otherwise specified		TERMINAL BLOCK
B	T-005306	WL	082311	angles		PLUGGABLE SIGNAL PLUG, UPSIDE CONTACT W/FLANGE
				X.±0.5		
				X.X±0.3		
				X.±1°		
				X.XX±0.1		
		dr	WENDY CHEN	113010		dwg no sheet 1 of 3 size
		engr	JASON HSU	113010		20020034 A4
		chr	JASON HSU	113010		
		appd	JASON HSU	113010		
sheet	revision	B	B			CUSTOMER Drawing
index	sheet	1	2	3		

PRODUCT NUMBER	SERIES NAME	PITCH
20020034-GXXXXXLFL	35-500	5.00 mm



N = Number of poles  
 Dim. L =  $(N \times 5.0 [.197]) + 0.6 [.111]$   
 Dim. P =  $(N - 1) \times 5.0 [.197]$   
 Dim. T =  $(N \times 5.0 [.197]) + 10.62 [.418]$   
 Dim. K =  $(N + 1) \times 5.0 [.197]$

POLES	Dim. L & P	Dim. T & K
2-6p	$\pm 0.15 [.006]$	$\pm 0.15 [.006]$
7-12p	$\pm 0.20 [.008]$	$\pm 0.25 [.010]$
13-18p	$\pm 0.25 [.010]$	$\pm 0.30 [.012]$
19-24p	$\pm 0.30 [.012]$	$\pm 0.40 [.016]$



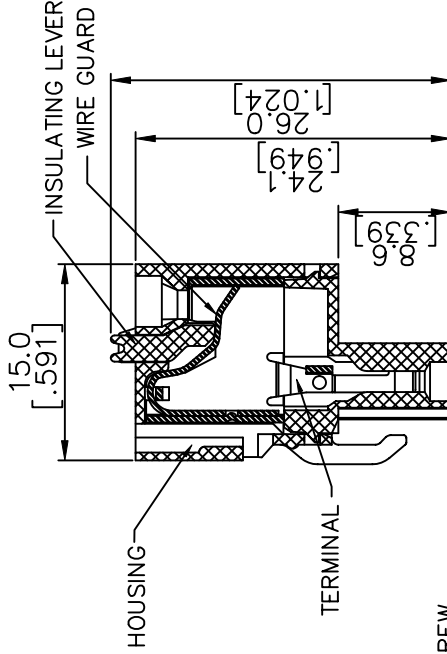
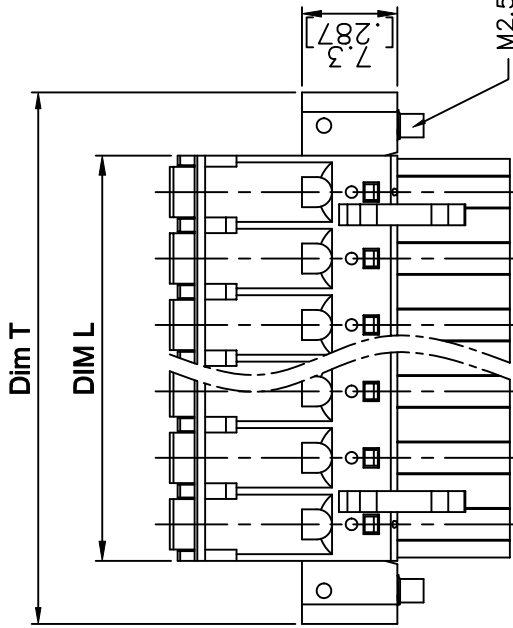
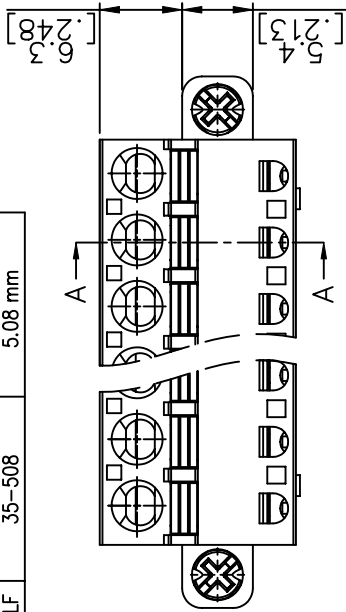
SECTION A-A

mat'l. code		surface	tolerance	projection	product family	TERMINAL BLOCK
ltr	ecm no	ASME Y14.5	ASME Y14.5		terminal block	TERMINAL BLOCK
B	date	tolerances unless otherwise specified			PLUGGABLE SIGNAL PLUG, UPSIDE CONTACT W/FLANGE	
		angles	X.±0.5	MM		
			X.X±0.3	[INCH]		
		X'±1'	X.XX±0.1	scale		
		dr	WENDY CHEN 113010			
		enfr	JASON HSU 113010			
		chr	JASON HSU 113010			
		appd	JASON HSU 113010			
sheet	revision				dwg no	sheet 2 of 3 size
index	sheet				20020034	A4
					type	CUSTOMER Drawing

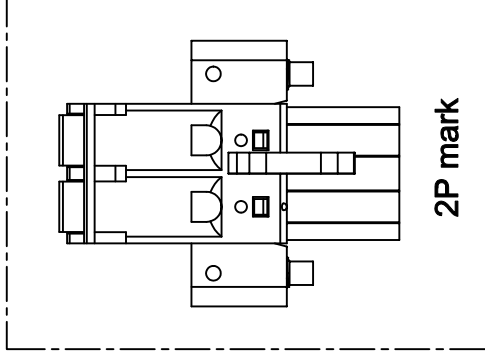
PRODUCT NUMBER	SERIES NAME	PITCH
20020034-HXXXXXXLF	35-508	5.08 mm

N = Number of poles  
 Dim. L =  $(N \times 5.08 [.200]) + 0.5 [.020]$   
 Dim. P =  $(N - 1) \times 5.08 [.200]$   
 Dim. T =  $(N \times 5.08 [.200]) + 10.16 [.400]$   
 Dim. K =  $(N + 1) \times 5.08 [.200]$

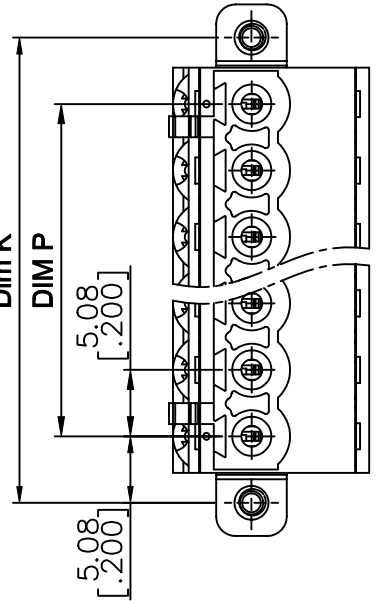
Poles	Dim. L & P & T & K
2-6p	$\pm 0.20 [.008]$
7-12p	$\pm 0.30 [.012]$
13-16p	$\pm 0.40 [.016]$
17-24p	$\pm 0.50 [.020]$



SECTION A-A



2P mark



mat'l. code		surface	tolerance	projection	product family	TERMINAL BLOCK
itr		ASME Y14.5	ASME Y14.5	MM	title	TERMINAL BLOCK
ecn no		tolerances unless otherwise specified		INCH	PLUGGABLE SIGNAL PLUG, UPSIDE CONTACT	
dr		angles	X.±0.5	scale	dwg no sheet 3 of 3 size	
date		X*±1*	X.XX±0.3		20020034 A4	
		X.XX±0.1			type CUSTOMER Drawing	
		dr WENDY CHEN 113010				
		engr JASON HSU 113010				
		chr JASON HSU 113010				
		appd JASON HSU 113010				
sheet		revision				
index		sheet				