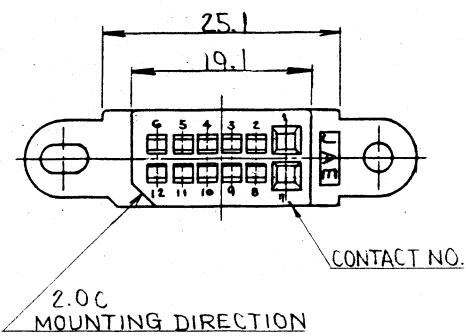
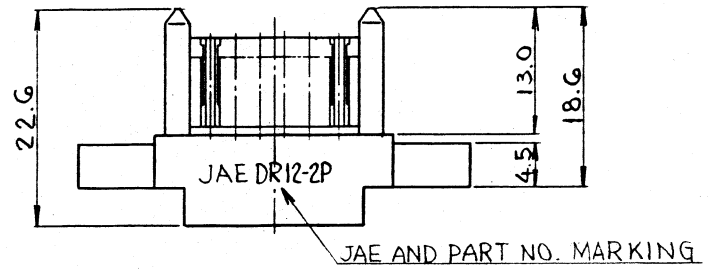
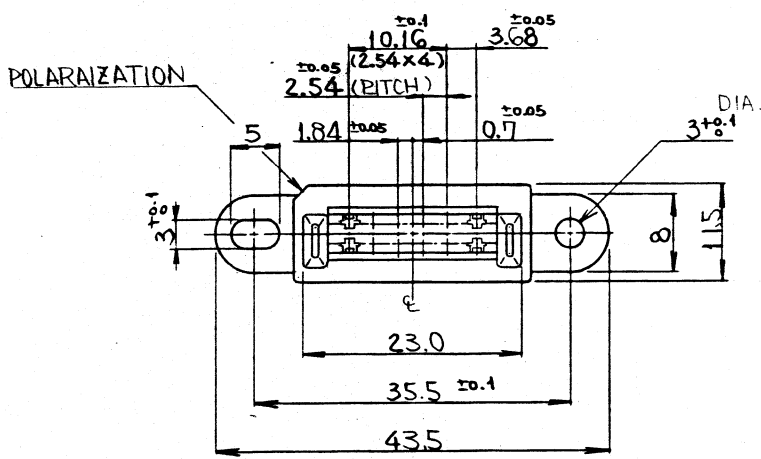
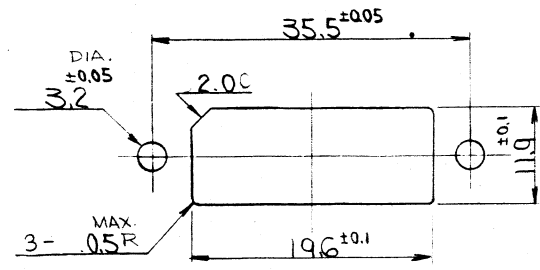


DWG. NO. SJ021041-E 1

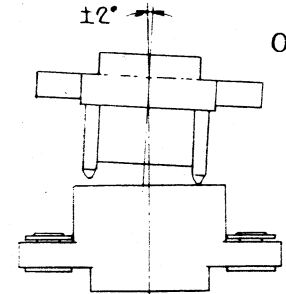
SYM.	DCN. NO.	DESCRIPTION	DATE	DRAWN	CHECKED	APP'D	APP'D
------	----------	-------------	------	-------	---------	-------	-------



MOUNTING PANEL CUTOUT DIMENSIONS (REF)

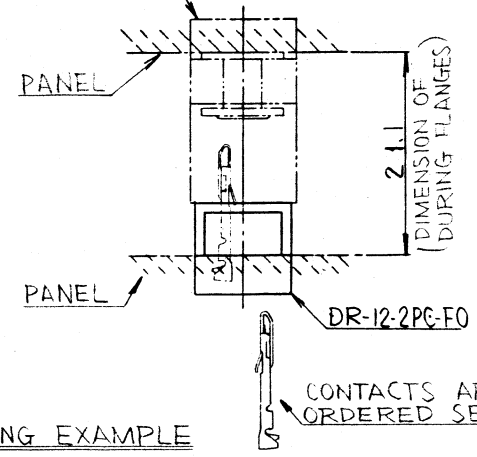


ALLOWABLE MATING ANGLE



OCT.-2'89

APPLICABLE CONNECTOR (DR-12-2SC-F0)



FILED
JUL 30 2002
DOCUMENT CONTROL

1	INSULATOR	1	GLASS FILLED PBT		04V-0 COLOR:BLACK
ITEM	DESCRIPTION	QTY	MATERIAL	FINISH	REMARK

UNLESS OTHERWISE SPECIFIED DIMENSIONS ARE IN INCHES TOLERANCES ON:			DATE MAY. 7 1987	TITLE DR-12-2PC-F0	JAPAN AVIATION ELECTRONICS IND. CO. LTD. FACTORY NAKAGAMI-CHO, AKISHIMA-SHI TOKYO, JAPAN
FRACTIONS	DECIMALS	ANGLES	DRAWN		
±0.8	±0.4	±0.1	CHECKED Y. HAYASHI		
TREATMENT OR FINISH			APP'D <i>H. Takemura</i>		
			APP'D <i>D. Ishimoto</i>	SCALE 1/2	DWG. SIZE B WT.
					SHEET

DWG. NO. SJ021041-E

SCALE 1/2
CSD. +107