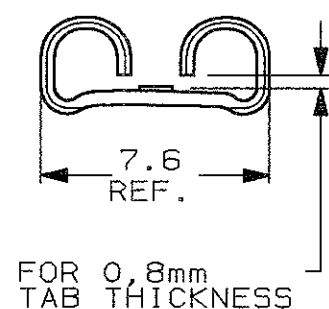
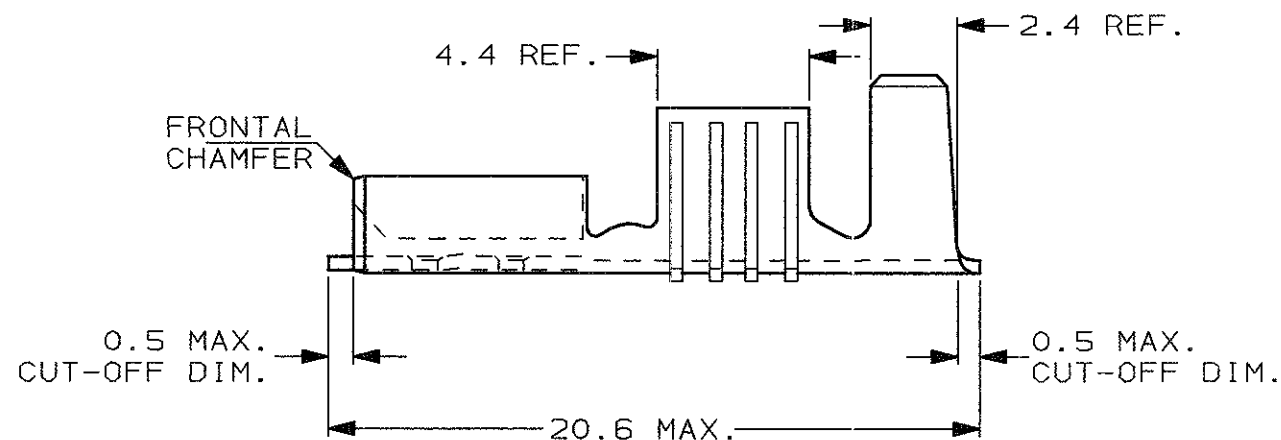
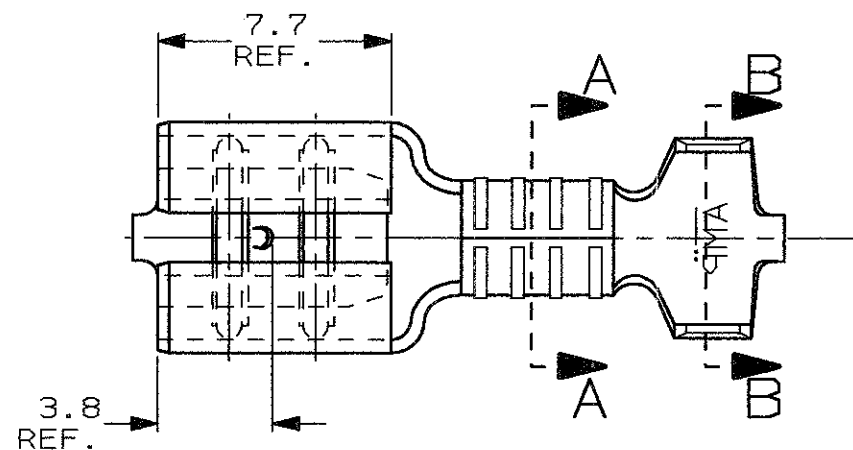


SCALA NON IMPEGNATIVA
(DO NOT SCALE)
DIMENSIONI IN mm
(DIMENSIONS IN mm)

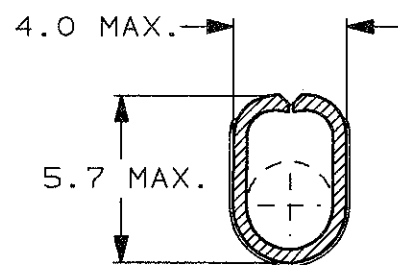
METRIC



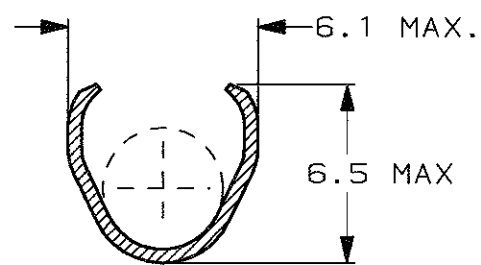
1) PER LE VERSIONI A NASTRO VEDERE DISEGNO 160301.
(FOR STRIP FORM VERSION SEE DRAWING 160301).

2) OBSOLETE PARTS: OBSOLETE CIS STREAMLINING PER D.RENAUD/D.SINISI

SEZIONE A-A
SECTION A-A



SEZIONE B-B
SECTION B-B



| | | | | |
|-------------|-------------------------------------|----------------------------|----------------------|-----|
| OBSOLETE | STAGNATO (TIN PLATED) | BRONZO FOS. (PHOS. BRONZE) | 1-160305-9 | R |
| | ARGENTATO (SILVER PLATED) | BRONZO FOS. (PHOS. BRONZE) | 1-160305-8 | R |
| 2) OBSOLETE | STAGNATO (TIN PLATED) | OTTONE (BRASS) | 1-160305-6 | R |
| | NUDO (UNPLATED) | BRONZO FOS. (PHOS. BRONZE) | 1-160305-4 | R |
| | NUDO (UNPLATED) | OTTONE (BRASS) | 1-160305-3 | R |
| | FINITURA / COLORE (FINISH / COLOUR) | MATERIALE (MATERIAL) | NUMERO (PART NUMBER) | REV |

CUSTOMER DWG. FOR REFERENCE ONLY
DISEGNO PER CLIENTE SOLO PER RIFERIMENTO

THIS DRAWING IS UNPUBLISHED | RELEASE FOR PUBLICATION 19

© COPYRIGHT 19 BY AMP INCORPORATED, HARRISBURG, PA. ALL INTERNATIONAL RIGHTS RESERVED. AMP PRODUCTS MAY BE COVERED BY U.S. AND FOREIGN PATENT AND/OR PATENT PENDING

| | | | |
|--|----------------------------------|-----------------------------|---------------|
| TOLLERANZE, SE NON DIVERSAMENTE SPECIFICATO (TOLERANCES, UNLESS OTHERWISE SPECIFIED) | DIAM. ISOLANTE (INS. DIA. RANGE) | RANGO FILO (WIRE RANGE) mm2 | SCALA (SCALE) |
| ± 0.3 | 3.8-5.0 | 4.0-6.0 | 4:1 |

ANGOLI (ANGLES) ± 2°

AMP AMP ITALIA S.p.A.
Corso F.lli Cervi, 15
COLLENO (TORINO)

| | | | | | |
|------------------|---------------------------------------|-----------|-------------|------------------------------------|---|
| R2 | ECR-26-271321 | SS | 03 MAR 2026 | DIS. H. YAALI (DR.) 08 AUG 2000 | DESCRIZIONE (DESCRIPTION) FASTON® Connector, .250" sr. REC. CONTACT (LOOSE PIECE VERSION) |
| R1 | REVISED PER ECO-09-022178 | KK | 21 SEP 09 | CONT. C. TARTARI (CHK) 08 AUG 2000 | |
| R | OBSOLETE PARTS & REDRAWN ETOO-0246-00 | H. Y. | 02 JAN 2001 | APP. (APP.) | |
| REV. (REV./LTK.) | REVISIONI (REVISION RECORD) | DIS. (DR) | DATA (DATE) | APP. (APP.) | |
| | | | | | LOC. SIZE NUMERO (DWG NO) REV. FOGGIO (SHEET) I A3 C-160305 R2 1 DI (OF) 1 |