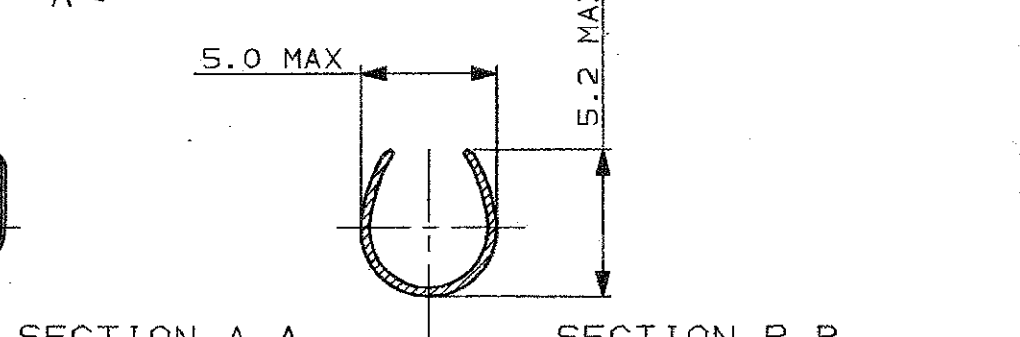
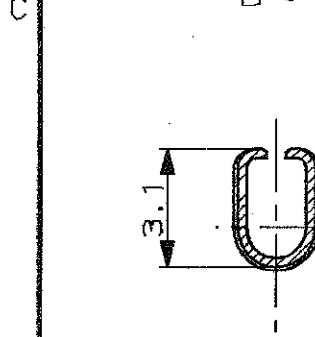
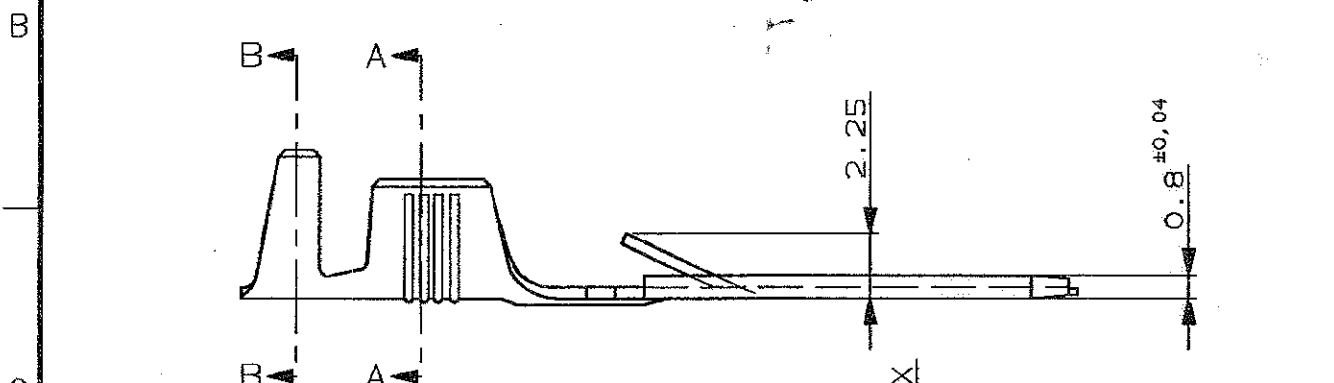
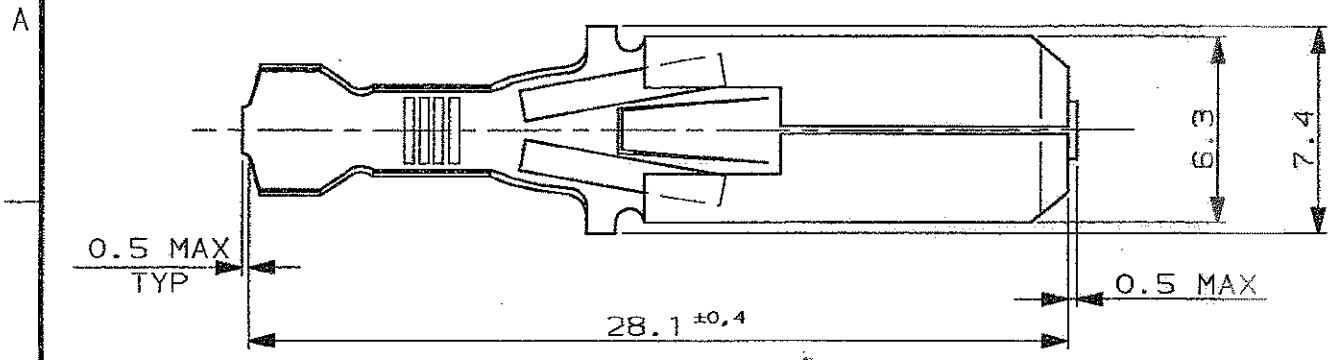


SCALA NON IMPEGNATIVA
 (DO NOT SCALE)
 DIMENSIONI IN mm
 (DIMENSIONS IN mm)

METRIC

PROIEZIONE EUROPEA
 (EUROPEAN PROJECTION)



OBSOLETE	ARGENTATO (SILVER PLATED)	BRONZO FOSFOROSO (PHOSFOR BRONZE)	160451-3
	STAGNATO (TIN PLATED)	BRONZO FOSFOROSO (PHOSFOR BRONZE)	160451-2
OBSOLETE	NUDO (PLAIN)	BRONZO FOSFOROSO (PHOSFOR BRONZE)	160451-1
	FINITURA / COLORE (FINISH / COLOUR)	MATERIALE (MATERIAL)	NUMERO (PART NUMBER)

CUSTOMER DWG.
 FOR REFERENCE ONLY

DISEGNO PER CLIENTE
 SOLO PER RIFERIMENTO

THIS DRAWING IS UNPUBLISHED

RELEASE FOR PUBLICATION

19

© COPYRIGHT 19 BY TE INCORPORATED, HARRISBURG, PA. ALL INTERNATIONAL RIGHT RESERVED. TE PRODUCTS MAY BE COVERED BY U.S. AND FOREIGN PATENT AND/OR PATENT PENDING

TOLLERANZE, SE NON DIVERSAMENTE SPECIFICATO

DIAM. ISOLANTE
(INS. DIA. RANGE)

RANGO FILO
(WIRE RANGE)

SCALA
(SCALED)

± 0.3

3.1-4.1mm

0.8-2.1mm²

ANGOLI
(ANGLES)



TE Connectivity

± 2°

DIS. P. ZAMPIROLO
(DR.) 01-02-2001

DESCRIZIONE
(DESCRIPTION)

.250 SERIES FASTIN FASTON TAB
(LOOSE PIECE)

CONT. R. MARTINI
(CHK) 01-02-2001

LOC.

SIZE

NUMERO
(DWG NO)

REV.

FOGLIO
(SHEET)

DI
(OF)

1

1

1

D2	ECR-26-271321	SS	27JAN26
D1	ECR-10-022530	KK	03FEB11
D	UNIFY CUST. TO PROD. DWG REV.		
O	REDRAWN BY CAD PER ET00-0041-01	P.Z.	
REV.	REVISIONI (REVISION RECORD)	DIS. DATA (DR) (DATE)	APP. (APP.)

DISTRIBUZIONE
(PRINT DIST.)