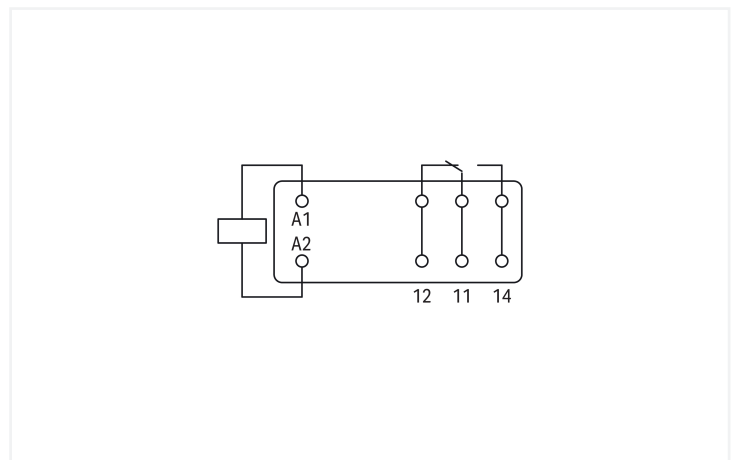
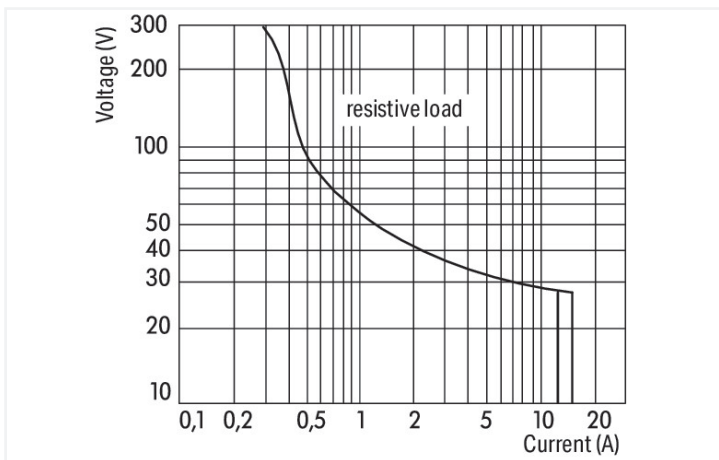
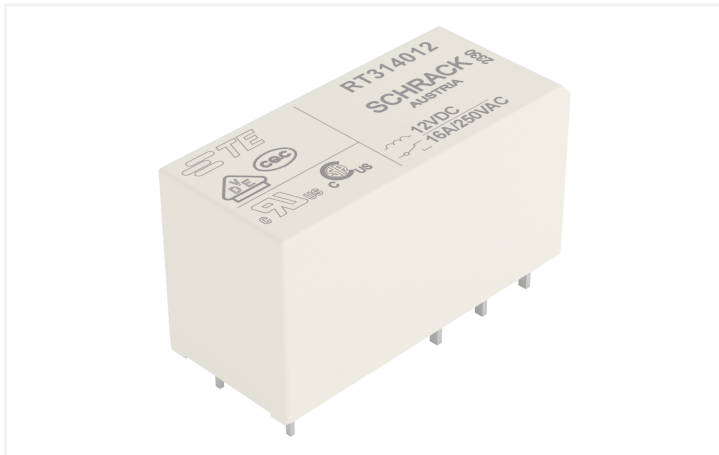


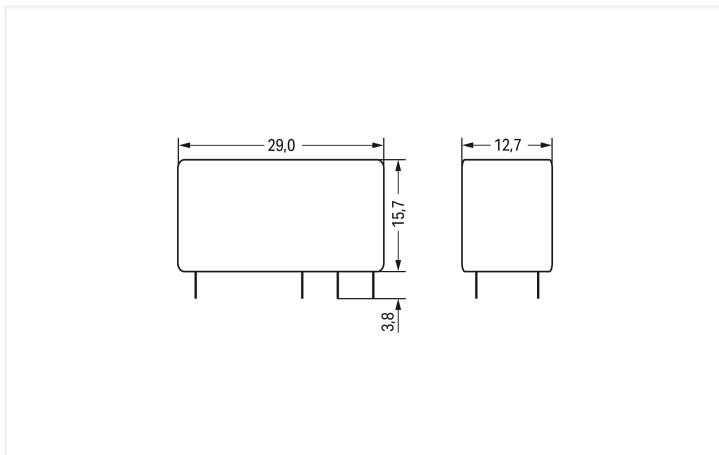
Data Sheet | Item Number: 788-150

Basic relay; Nominal input voltage: 12 VDC; 1 changeover contact; Limiting continuous current: 16 A; Module width: 13 mm; Module height: 15 mm

<https://www.wago.com/788-150>



DC load limit curve



Dimensions in mm

Technical data

Control circuit

Nominal input voltage U_N	12 VDC
Nominal input current at U_N	34 mA

Load circuit

Number of changeover/switchover contacts	1
Contact material (relay)	AgNi 90/10
Limiting continuous current	16 A
Inrush current (resistive) max.	(AC) 30 A / 4 s
Switching Voltage, Max.	250 VAC
Switching power (resistive) max.	AC 4000 VA; DC (see load limit curve)
Switching capacity	AC-15: 6 A / 250 VAC; DC-13: 2 A / 24 VDC
Recommended minimum load	12 V / 10 mA
Pull-in time (typ.)	8 ms
Drop-out time (typ.)	6 ms
Bounce time (typ.)	6 ms
Electrical life (NO; resistive load; 23 °C)	30 x 10 ³ switching operations
Mechanical life	30 x 10 ⁶ switching operations
Switching frequency with/without load (max.)	6 min ⁻¹ / 1200 min ⁻¹

Safety and protection

Dielectric strength (control/load circuit) (AC, 1 min)	5 kVrms
Dielectric strength (open contact) (AC, 1 min)	1 kVrms

Physical data

Width	12.7 mm / 0.5 inches
Height from the surface	15.7 mm / 0.618 inches
Depth	29 mm / 1.142 inches

Mechanical data

Mounting type	Pluggable module
---------------	------------------

Material data

Note (material data)	Information on material specifications can be found here
Weight	13.1 g

Environmental requirements

Ambient temperature (operation at U_N)	-40 ... +85 °C
Ambient temperature (storage)	-40 ... +85 °C

Standards and Specifications

Standards/specifications	EN 61810-1
--------------------------	------------

Commercial data

Product Group	6 (INTERFACE ELECTRONIC)
PU (SPU)	20 (1) pcs
Packaging type	Box
Country of origin	AT
GTIN	4045454303778
Customs tariff number	85364900990

Product Classification

UNSPSC	39122334
eCl@ss 10.0	27-37-16-01
eCl@ss 9.0	27-37-16-01
ETIM 9.0	EC001437
ETIM 10.0	EC001437
ECCN	NO US CLASSIFICATION

Environmental Product Compliance

CAS-No.	7439-92-1 7440-43-9
REACH Candidate List Substance	Cadmium Lead
RoHS Compliance Status	Compliant, No Exemption
SCIP notification number (Austria)	18bfe4fa-b008-427c-b15b-005361886a99
SCIP notification number (Belgium)	e91f83d8-da3f-43db-b336-4a6e9367ef01
SCIP notification number (Bulgaria)	3231c056-0dc6-471a-8612-5dd068f93069
SCIP notification number (Czech Republic)	b5e76aee-b4d0-4726-bfa3-fb98efd07dce
SCIP notification number (Denmark)	84d9da31-eeb7-4ee0-947d-c9b6c5cef632
SCIP notification number (Finland)	99b62071-bf0e-4bd4-a895-cbb87e6741d2
SCIP notification number (France)	0b11b22d-17ce-4d3d-a984-27cec09bf7d
SCIP notification number (Germany)	ee20dc5f-eab2-4a3c-9d1c-b9b215dd3cd3
SCIP notification number (Hungary)	49c9b9dd-4870-4b2d-8966-3e9040bf0a09
SCIP notification number (Italy)	473eb418-9a30-4e35-aea3-e973e47ed06d
SCIP notification number (Netherlands)	b0eb66fa-4b0f-43ad-a498-0cfb02586618
SCIP notification number (Poland)	2bb86ee7-0ec5-4806-9cd1-9c73f3def593
SCIP notification number (Romania)	9f151eff-ea38-4caa-aedf-ec6f2f1189ca
SCIP notification number (Sweden)	bb4a7814-72d8-4cd1-81c6-ee8a2faefd45

Downloads

Environmental Product Compliance

Compliance Search

Environmental Product
Compliance 788-150



Documentation

Bid Text

788-150	19.02.2019	xml 3.49 KB	↓
788-150	20.02.2019	docx 15.21 KB	↓

CAD/CAE-Data

CAD data

2D/3D Models 788-150



CAE data

WSCAD Universe
788-150



1 Compatible Products

1.1 Optional Accessories

1.1.1 Socket

1.1.1.1 Socket without relay



Item No.: 788-100

Relay socket; 1 changeover contact; for 15 mm basic relays; gray