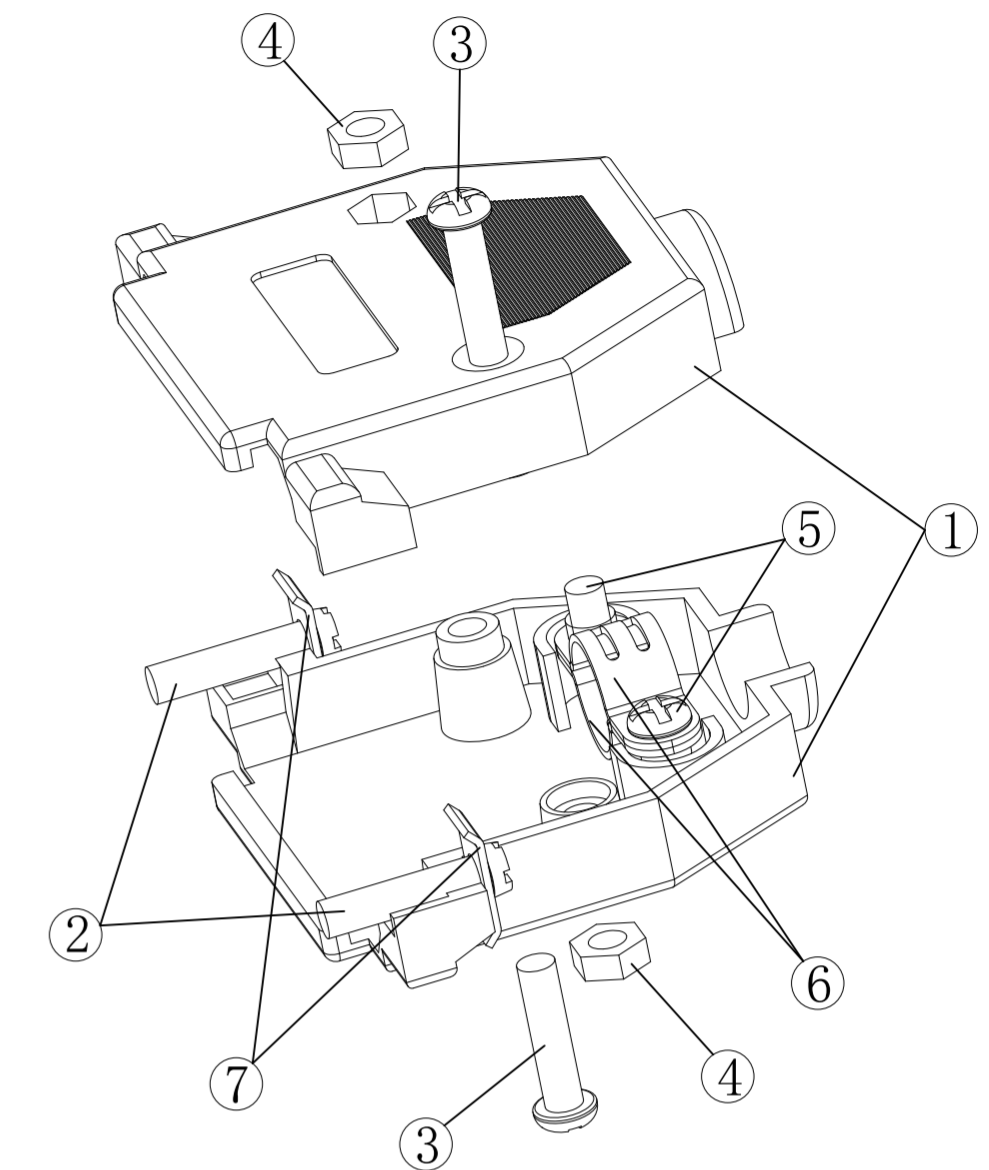
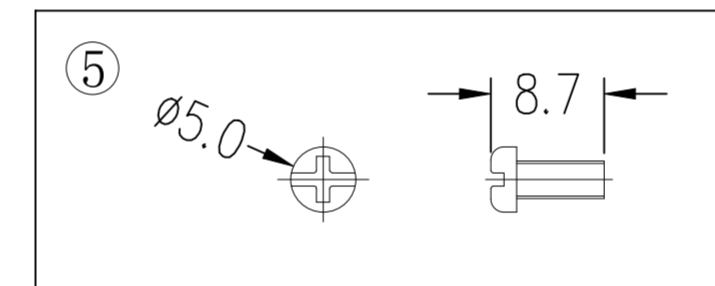
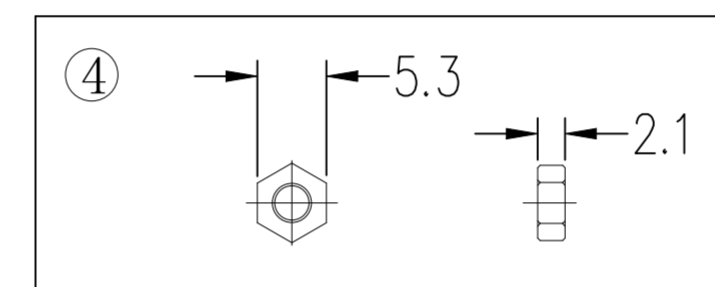
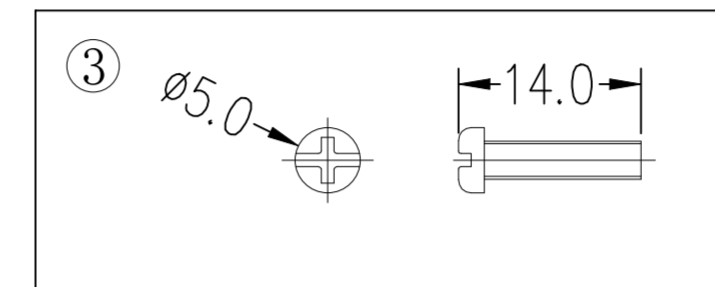
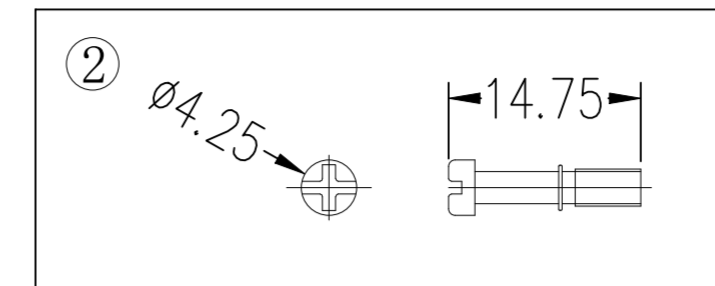
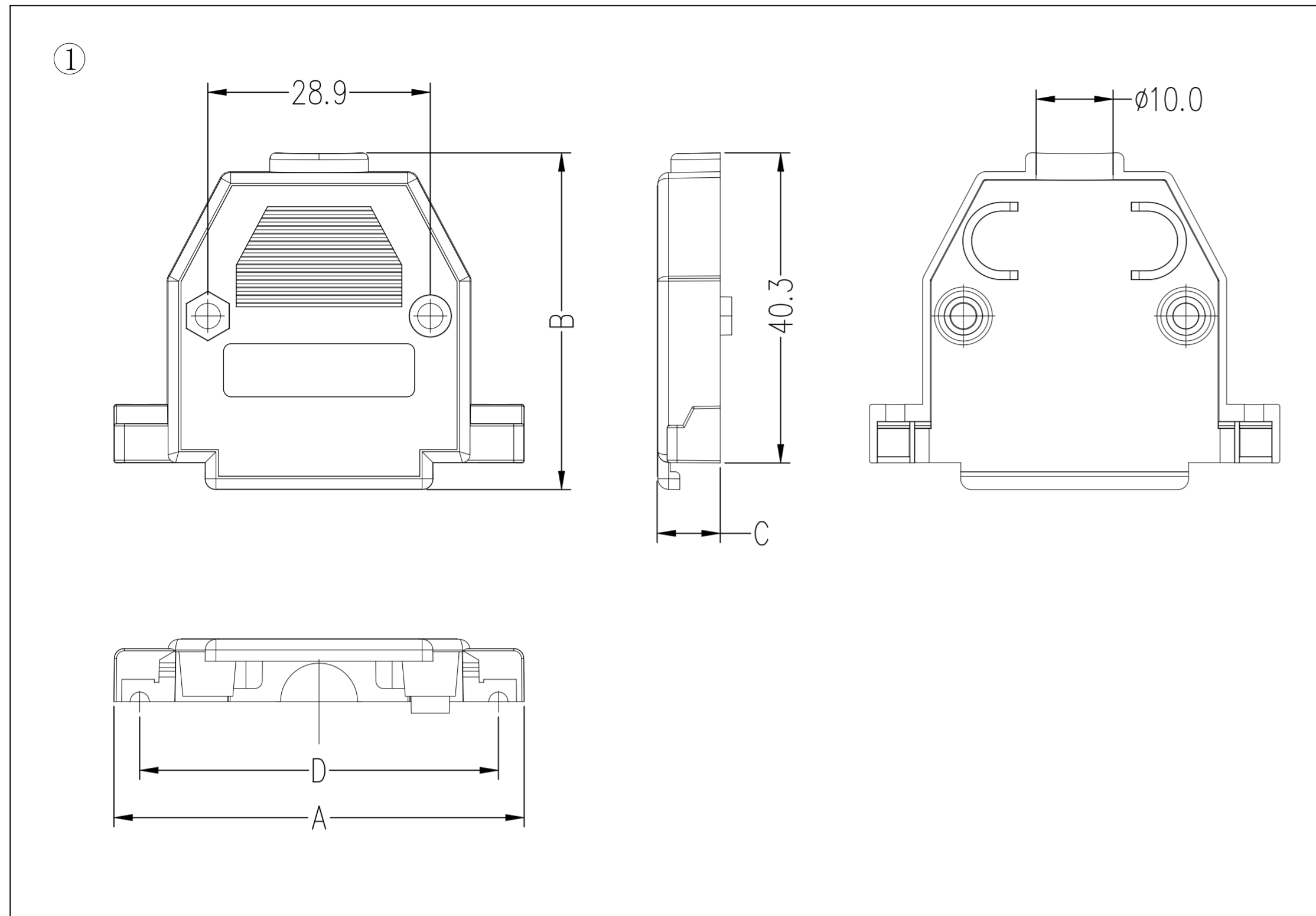
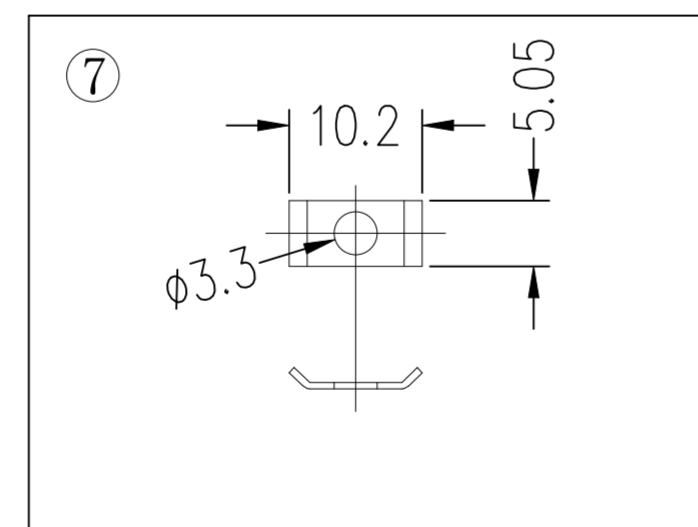
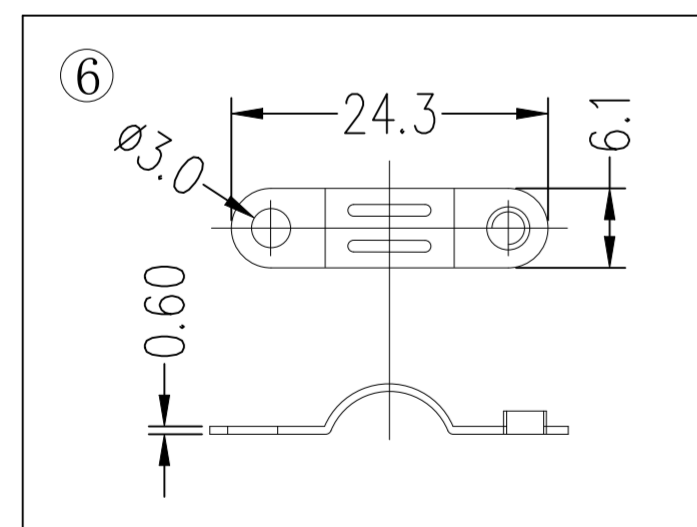


REVISIONS					
P	LTR	DESCRIPTION	DATE	DWN	APVD
A		RELEASED PER ECN-25-322737	21MAY2025	TR	RCG



Item	Description	Q'TY	Material
1	Shell	1 SET	ABS Black
2	Screws	2 PCS	Iron Alloy Nickel Plating
3	Screws	2 PCS	Iron Alloy Nickel Plating
4	Nut	2 PCS	Iron Alloy Nickel Plating
5	Screws	2 PCS	Iron Alloy Nickel Plating
6	Wire Clamp	2 PCS	Iron Alloy Nickel Plating
7	Shims	2 PCS	Iron Alloy Nickel Plating

A	B	C	D
53.3	43.8	8.2	46.6



CABLE DIAMETERS 8.0~10.0MM.

THIS DRAWING IS A CONTROLLED DOCUMENT.		DWN TARUN, R 02MAY2025		
DIMENSIONS: mm		CHK NAIR, SREEKUMAR 03MAY2025		
TOLERANCES UNLESS OTHERWISE SPECIFIED:		APVD RAGHAVAN, CG 03MAY2025	NAME D-SUB 44P BACKSHELL	
0 PLC ± -		PRODUCT SPEC 108-161904	SIZE A2	
1 PLC ± 0.40		APPLICATION SPEC 114-161403	CAGE CODE 00779	DRAWING NO C=2508224
2 PLC ± 0.25		WEIGHT -	RESTRICTED TO -	
3 PLC ± -		SCALE 1:1		
4 PLC ± -		SHEET 1 OF 1		
ANGLES ± -		REV A		
FINISH -		CUSTOMER DRAWING		