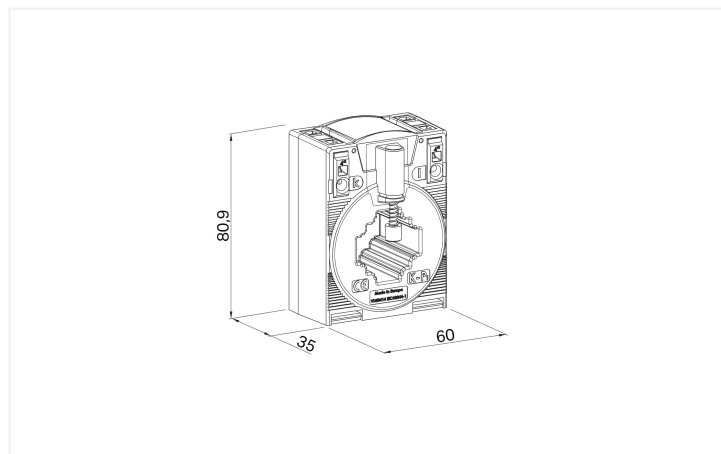


## Data Sheet | Item Number: 855-301/600-1001

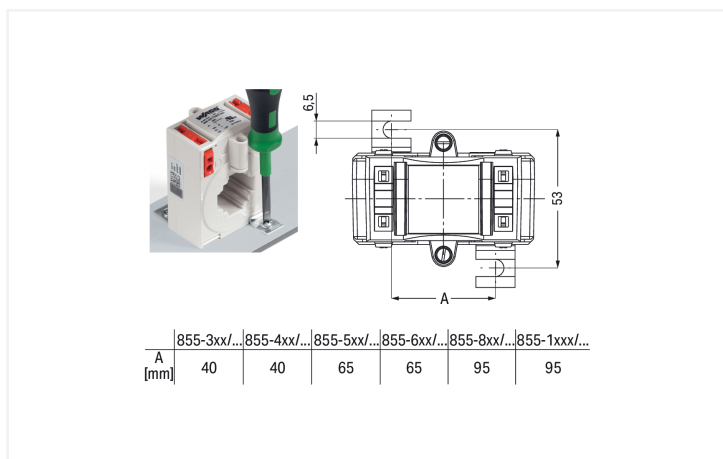
Plug-in current transformer; Primary rated current: 600 A; Secondary rated current: 1 A;

Rated power: 10 VA; Accuracy class: 1

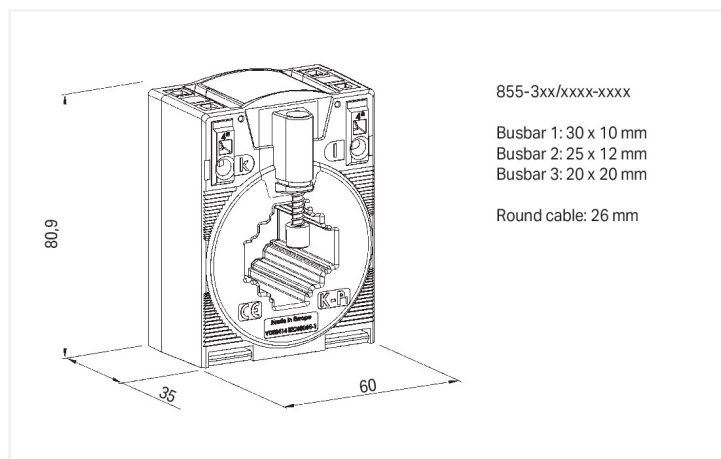
<https://www.wago.com/855-301/600-1001>



Dimensions in mm



Dimensions in mm



### Short description:

WAGO's plug-in current transformers (855 Series) are inductive, single-conductor current transformers. Due to the measurement principle used, these current transformers are exclusively designed for AC network applications.

### Features:

- Screwless CAGE CLAMP® connection technology
- Several mounting options available
- Vibration- and shock-resistant
- High mechanical retention forces
- High current-carrying capacity
- Continuous overload of 120 % the nominal primary current
- Low-voltage current transformer for operating voltages up to max. 1.2 kV
- For 690 V power networks
- UL recognized components

## Technical data

### Input

Measured variable	Current
-------------------	---------

### Input – current transformer

Rated continuous thermal current $I_{cth}$	$1.2 \times I_N$
Rated short-time thermal current $I_{th}$	$60 \times I_N / 1 \text{ s}$ (max. 100 kA / 1 s)
Overcurrent limiting factor	FS5 / FS10 (type dependent; see type plate inscription)
Rated frequency	50 ... 60 Hz
Primary rated current	600 A

### Output – current transformer

Secondary rated current	1 A
Rated power $S_r$	10 VA

### Measurement Error

Accuracy class	1
----------------	---

## Safety and protection

Test voltage	6 kVAC; 50 Hz; 1 min
Highest voltage for equipment $U_m$	1.2 kV <sub>rms</sub> AC

## Connection Data

Feedthrough for measurement conductor	Ø 26 mm
---------------------------------------	---------

### Connection 1

Connection technology	CAGE CLAMP®
Strip length	9 ... 10 mm / 0.35 ... 0.39 inches
Solid conductor	0.08 ... 4 mm <sup>2</sup> / 28 ... 12 AWG
Fine-stranded conductor	0.08 ... 4 mm <sup>2</sup> / 28 ... 12 AWG

## Physical data

Width	60 mm / 2.362 inches
Height	80.9 mm / 3.185 inches
Depth	52 mm / 2.047 inches

## Mechanical data

Mounting type	Closed current transformer Installation on mounting plate Mounting on DIN-rail via DIN-rail adapter Installation on round cable
---------------	--

## Material data

Insulation class	E
Weight	230 g

**Environmental requirements**

Ambient temperature (operation)	-5 ... +50 °C
Ambient temperature (storage)	-25 ... +70 °C
Operating altitude (max.)	1000 m

**Standards and Specifications**

Conformity marking	CE
Standards/specifications	EN 61869-1 EN 61869-2 UL: E356480

**Commercial data**

PU (SPU)	1 pcs
Packaging type	Box
Country of origin	HU
Customs tariff number	85043129900

**Product Classification**

UNSPSC	39121032
eCl@ss 10.0	27-21-09-02
eCl@ss 9.0	27-21-09-02
ETIM 9.0	EC002048
ETIM 10.0	EC002048
ECCN	NO US CLASSIFICATION

**Environmental Product Compliance**

RoHS Compliance Status	Compliant, No Exemption
------------------------	-------------------------

**Approvals / Certificates**

**General approvals**

**Declarations of conformity and manufacturer's declarations**



Approval	Standard	Certificate Name
EAC GZO Almaty Standart	TP TC 004/2011	EAC CoC 03082
UL Underwriters Laboratories Inc.	IEEE C57.13	E356480

Approval	Standard	Certificate Name
EU-Declaration of Conformity WAGO GmbH & Co. KG	-	-
UK-Declaration of Conformity WAGO GmbH & Co. KG	-	-

**Downloads**

**Environmental Product Compliance**

**Compliance Search**

Environmental Product Compliance  
855-301/600-1001



**Documentation**

**Bid Text**

855-301/600-1001	05.02.2015	doc 31.00 KB	
855-301/600-1001	19.02.2019	xml 4.96 KB	

**Instruction Leaflet**

Aufsteck-Stromwandler	pdf 1438.11 KB	
-----------------------	-------------------	--

**CAD/CAE-Data**

**CAD data**

2D/3D Models 855-301/600-1001	
----------------------------------	--

**CAE data**

EPLAN Data Portal 855-301/600-1001	
WSCAD Universe 855-301/600-1001	
ZUKEN Portal 855-301/600-1001	

**1 Compatible Products**

**1.1 Optional Accessories**

**1.1.1 Installation**

**1.1.1.1 Current transformer terminal block**



**Item No.: 2007-8876**

Compact terminal block; for 3-phase current transformer circuit; 6,00 mm<sup>2</sup>; multicoloured



**Item No.: 2007-8873**

Compact terminal block; for current and voltage transformers; 6,00 mm<sup>2</sup>; multicoloured



**Item No.: 2007-8874**

Compact terminal block; for current and voltage transformers; 6,00 mm<sup>2</sup>; multicoloured



**Item No.: 2007-8875**

Compact terminal block; for current transformer circuit; 6,00 mm<sup>2</sup>; multicoloured



**Item No.: 2007-8877**

Compact terminal block; for current transformer circuit; 6,00 mm<sup>2</sup>; multicoloured

### 1.1.2 Mounting adapter

#### 1.1.2.1 DIN-rail adapter



**Item No.: 855-9900**

Carrier rail adapter

#### 1.1.2.2 Fast connection adapter



**Item No.: 855-9910**

Quick-mount kit

### 1.1.3 Signal conditioner

#### 1.1.3.1 Current Signal Conditioner



**Item No.: 857-551**

Current signal conditioner; Current input signal; Current and voltage output signal; Digital output; Configuration via software; Supply voltage: 24 VDC; 6 mm module width



**Item No.: 857-550**

Current signal conditioner; Current input signal; Current and voltage output signal; Digital output; Configuration via software; Supply voltage: 24 VDC; 6 mm module width; 2,50 mm<sup>2</sup>

#### 1.1.3.2 Power Measurement Module



**Item No.: 2857-570/024-001**

3-Phase Power Measurement Module; 3x277/480 V/1 A; Modbus RTU; Digital output; Configuration via software; Supply voltage: 24 VDC

### 1.1.4 Tool

#### 1.1.4.1 Operating tool

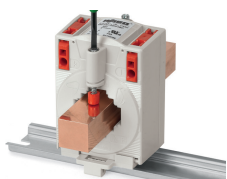


**Item No.: 210-720**

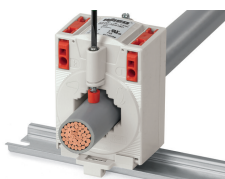
Operating tool; Blade: 3.5 x 0.5 mm; with a partially insulated shaft; multicoloured

## Installation Notes

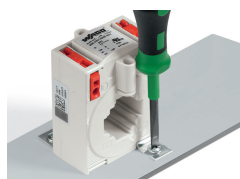
### Installation



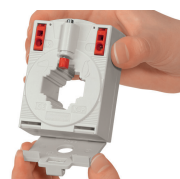
Installation on copper current bar



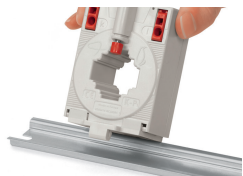
Installation on round cable



Installation on mounting plate



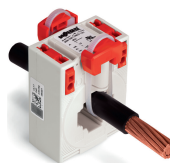
Mounting on DIN-rail via 855-9900 DIN-Rail Adapter



Snapping onto DIN-rail



Snapping onto DIN-rail



Installation via 855-9910 Quick-Mount Kit

### Conductor termination



Conductor termination – screwdriver actuation perpendicular to conductor entry



Conductor termination – screwdriver actuation parallel to conductor entry