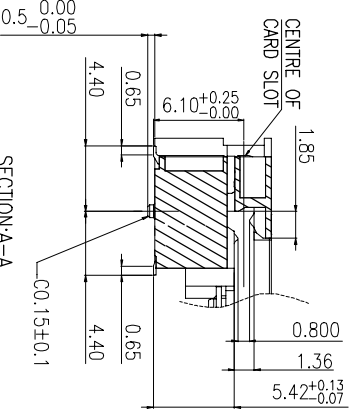


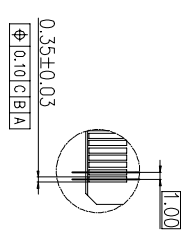
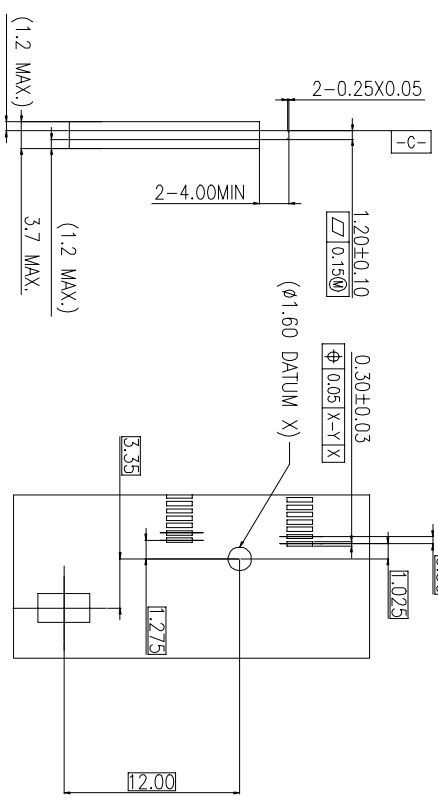
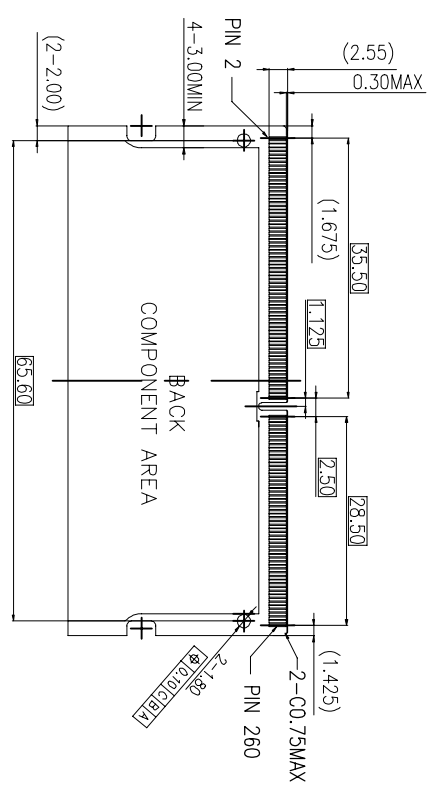
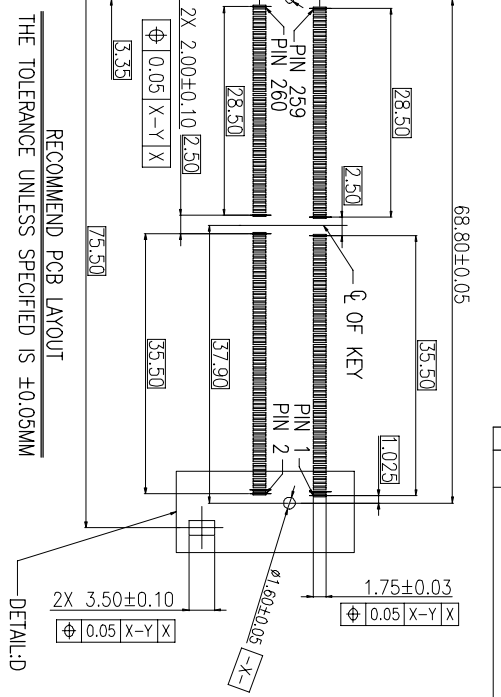
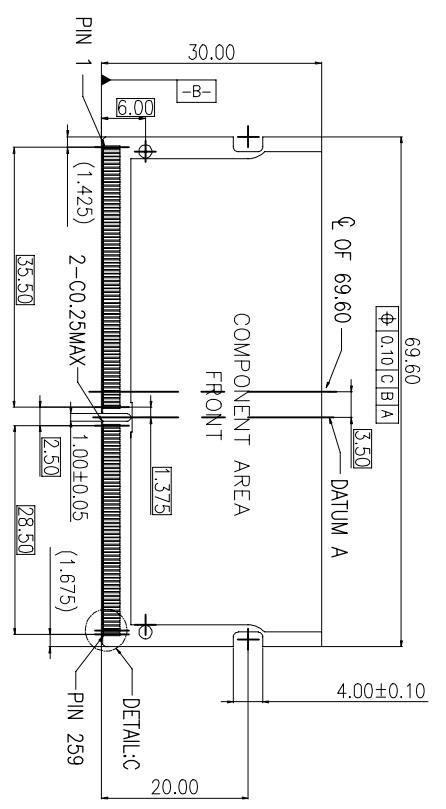
MATING: ① INSERTING(25) — ② ROTATING — ③ FIXED
 UNMATING: ④ UNFIXED — ⑤ ROTATING — ⑥ WITHDRAWING

- NOTES:
1. MATERIAL:
 - 1.1 HOUSING: HIGH TEMPERATURE THERMO PLASTIC, UL94V-0, COLOR: BLACK.
 - 1.2 CONTACT: COPPER ALLOY.
 - 1.3 SOLDER PEG AND LATCH: STAINLESS STEEL.
 2. FINISH:
 - SOLDER PEG: GOLD FLASH ON 50u" MIN NICKEL UNDERPLATED ALL OVER.
 - CONTACT SOLDER AREA: GOLD FLASH ON 50u" MIN NICKEL UNDERPLATED ALL OVER.
 - 2.1 CONTACT AREA: GOLD FLASH ON 50u" MIN NICKEL UNDERPLATED ALL OVER.
 - 2.2 CONTACT AREA: 5u" ON 50u" MIN NICKEL UNDERPLATED ALL OVER.
 - 2.3 CONTACT AREA: 10u" ON 50u" MIN NICKEL UNDERPLATED ALL OVER.
 - 2.4 CONTACT AREA: 15u" ON 50u" MIN NICKEL UNDERPLATED ALL OVER.
 - 2.5 CONTACT AREA: 30u" ON 50u" MIN NICKEL UNDERPLATED ALL OVER.
 3. COPPLANARITY: 0.10MAX. (BEFORE SOLDERING)



TAPE&REEL	BLACK	1.2V	260	2309411-5
TAPE&REEL	BLACK	1.2V	260	2309411-4
TAPE&REEL	BLACK	1.2V	260	2309411-3
TAPE&REEL	BLACK	1.2V	260	2309411-2
TAPE&REEL	BLACK	1.2V	260	2309411-1
PAKING TYPE	HOUSING COLOR	POWER SUPPLY FINISH	POS	PART NO.

THIS DRAWING IS A CONTROLLED DOCUMENT.		DATE	11MAR2021
DESIGNED BY	CHK	11MAR2021	
DIMENSIONS: mm		NAME	TE Connectivity
0 R/C	TOLERANCES UNLESS OTHERWISE SPECIFIED:	APPROVAL	DR4 SODIUM SOCKET
1 R/C	± 0.25	PRODUCT SPEC	0.5mm PITCH 260POS
2 R/C	± 0.15	APPLICATION SPEC	8.0mm HEIGHT STANDARD TYPE
3 R/C	± 0.10	REVISIONS	
4 R/C	± 0.05	DATE	14FEB2024
5 R/C	± 0.05	DESCRIPTION	SSMS/SPS
6 R/C	± 0.05	REVISED PER	ECR-24-199188
7 R/C	± 0.05	DATE	14FEB2024
8 R/C	± 0.05	DESCRIPTION	SSMS/SPS
9 R/C	± 0.05	REVISED PER	ECR-24-199188
10 R/C	± 0.05	DATE	14FEB2024
11 R/C	± 0.05	DESCRIPTION	SSMS/SPS
12 R/C	± 0.05	REVISED PER	ECR-24-199188
13 R/C	± 0.05	DATE	14FEB2024
14 R/C	± 0.05	DESCRIPTION	SSMS/SPS
15 R/C	± 0.05	REVISED PER	ECR-24-199188
16 R/C	± 0.05	DATE	14FEB2024
17 R/C	± 0.05	DESCRIPTION	SSMS/SPS
18 R/C	± 0.05	REVISED PER	ECR-24-199188
19 R/C	± 0.05	DATE	14FEB2024
20 R/C	± 0.05	DESCRIPTION	SSMS/SPS
21 R/C	± 0.05	REVISED PER	ECR-24-199188
22 R/C	± 0.05	DATE	14FEB2024
23 R/C	± 0.05	DESCRIPTION	SSMS/SPS
24 R/C	± 0.05	REVISED PER	ECR-24-199188
25 R/C	± 0.05	DATE	14FEB2024
26 R/C	± 0.05	DESCRIPTION	SSMS/SPS
27 R/C	± 0.05	REVISED PER	ECR-24-199188
28 R/C	± 0.05	DATE	14FEB2024
29 R/C	± 0.05	DESCRIPTION	SSMS/SPS
30 R/C	± 0.05	REVISED PER	ECR-24-199188
31 R/C	± 0.05	DATE	14FEB2024
32 R/C	± 0.05	DESCRIPTION	SSMS/SPS
33 R/C	± 0.05	REVISED PER	ECR-24-199188
34 R/C	± 0.05	DATE	14FEB2024
35 R/C	± 0.05	DESCRIPTION	SSMS/SPS
36 R/C	± 0.05	REVISED PER	ECR-24-199188
37 R/C	± 0.05	DATE	14FEB2024
38 R/C	± 0.05	DESCRIPTION	SSMS/SPS
39 R/C	± 0.05	REVISED PER	ECR-24-199188
40 R/C	± 0.05	DATE	14FEB2024
41 R/C	± 0.05	DESCRIPTION	SSMS/SPS
42 R/C	± 0.05	REVISED PER	ECR-24-199188
43 R/C	± 0.05	DATE	14FEB2024
44 R/C	± 0.05	DESCRIPTION	SSMS/SPS
45 R/C	± 0.05	REVISED PER	ECR-24-199188
46 R/C	± 0.05	DATE	14FEB2024
47 R/C	± 0.05	DESCRIPTION	SSMS/SPS
48 R/C	± 0.05	REVISED PER	ECR-24-199188
49 R/C	± 0.05	DATE	14FEB2024
50 R/C	± 0.05	DESCRIPTION	SSMS/SPS



DETAIL.C
SCALE 2:1

DETAIL.D
SCALE 2:1

THIS DRAWING IS A CONTROLLED DOCUMENT.		ENR: DAVID ZHAO	11MAR2021
DIMENSIONS: mm		CHK: RICHARD MA	11MAR2021
TOLERANCES UNLESS OTHERWISE SPECIFIED:		NAME: PERLON LI	
0 R.C.	+	PRODUCT SPEC:	
1 R.C.	+	APPLICATION SPEC:	
2 R.C.	+	WEIGHT:	
3 R.C.	+	CUSTOMER DRAWING:	
4 R.C.	+		
5 R.C.	+		
6 R.C.	+		
7 R.C.	+		
8 R.C.	+		
9 R.C.	+		
10 R.C.	+		
11 R.C.	+		
12 R.C.	+		
13 R.C.	+		
14 R.C.	+		
15 R.C.	+		
16 R.C.	+		
17 R.C.	+		
18 R.C.	+		
19 R.C.	+		
20 R.C.	+		
21 R.C.	+		
22 R.C.	+		
23 R.C.	+		
24 R.C.	+		
25 R.C.	+		
26 R.C.	+		
27 R.C.	+		
28 R.C.	+		
29 R.C.	+		
30 R.C.	+		
31 R.C.	+		
32 R.C.	+		
33 R.C.	+		
34 R.C.	+		
35 R.C.	+		
36 R.C.	+		
37 R.C.	+		
38 R.C.	+		
39 R.C.	+		
40 R.C.	+		
41 R.C.	+		
42 R.C.	+		
43 R.C.	+		
44 R.C.	+		
45 R.C.	+		
46 R.C.	+		
47 R.C.	+		
48 R.C.	+		
49 R.C.	+		
50 R.C.	+		
51 R.C.	+		
52 R.C.	+		
53 R.C.	+		
54 R.C.	+		
55 R.C.	+		
56 R.C.	+		
57 R.C.	+		
58 R.C.	+		
59 R.C.	+		
60 R.C.	+		
61 R.C.	+		
62 R.C.	+		
63 R.C.	+		
64 R.C.	+		
65 R.C.	+		
66 R.C.	+		
67 R.C.	+		
68 R.C.	+		
69 R.C.	+		
70 R.C.	+		
71 R.C.	+		
72 R.C.	+		
73 R.C.	+		
74 R.C.	+		
75 R.C.	+		
76 R.C.	+		
77 R.C.	+		
78 R.C.	+		
79 R.C.	+		
80 R.C.	+		
81 R.C.	+		
82 R.C.	+		
83 R.C.	+		
84 R.C.	+		
85 R.C.	+		
86 R.C.	+		
87 R.C.	+		
88 R.C.	+		
89 R.C.	+		
90 R.C.	+		
91 R.C.	+		
92 R.C.	+		
93 R.C.	+		
94 R.C.	+		
95 R.C.	+		
96 R.C.	+		
97 R.C.	+		
98 R.C.	+		
99 R.C.	+		
100 R.C.	+		



TE Connectivity

DDR4 SODIMM SOCKET
0.5mm PITCH 260POS
8.0mm HEIGHT STANDARD TYPE

SIZE: A2
CAGE CODE: 00779
DRAWING NO: 2309411

SCALE: 2:1

SHEET: 2 of 3

REV: 5

2309411

