

HC-B-G-M20-PLRBK - Cable gland



1407669

<https://www.phoenixcontact.com/us/products/1407669>

Please be informed that the data shown in this PDF document is generated from our online catalog. Please find the complete data in the user documentation. Our general terms of use for downloads are valid.



EVO plastic cable gland with bayonet locking, for housing series B, size M20, cable diameter: 7 mm ... 13 mm

Commercial data

Item number	1407669
Packing unit	1 pc
Minimum order quantity	1 pc
Sales key	BF57
Product key	BF7APL
Catalog page	Page 604 (C-2-2019)
GTIN	4046356776370
Weight per piece (including packing)	34.6 g
Weight per piece (excluding packing)	32.343 g
Customs tariff number	39269097
Country of origin	PL

HC-B-G-M20-PLRBK - Cable gland



1407669

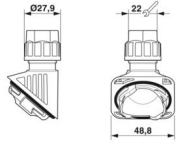
<https://www.phoenixcontact.com/us/products/1407669>

Technical data

Product properties

Product type	Cable gland with bayonet locking
No. of conductors	1
Type of the screw connection	M20
Shielded	no

Dimensions

Dimensional drawing	
Width	48.7 mm
Height	59 mm
Depth	60.5 mm
Wrench size, union nut	22 mm

Material specifications

Color	black (RAL 9005)
Material Pressure screw	PA
Flammability rating according to UL 94	V0 (Seal) V2 (Housing)
Seal material O-ring	NBR
Seal material Cable seal	NBR
Material for screw connection	PA

Cable/line

External cable diameter Cable 1	7 mm ... 13 mm
---------------------------------	----------------

Mechanical properties

Mechanical data

Type of the screw connection	M20
------------------------------	-----

Environmental and real-life conditions

Ambient conditions

Degree of protection	IP66
Enclosure rating (NEMA)	12 (UL 50e)
Ambient temperature (operation)	-40 °C ... 100 °C

Mounting

Assembly note	Bayonet locking max. 3x can be removed
---------------	--

HC-B-G-M20-PLRBK - Cable gland

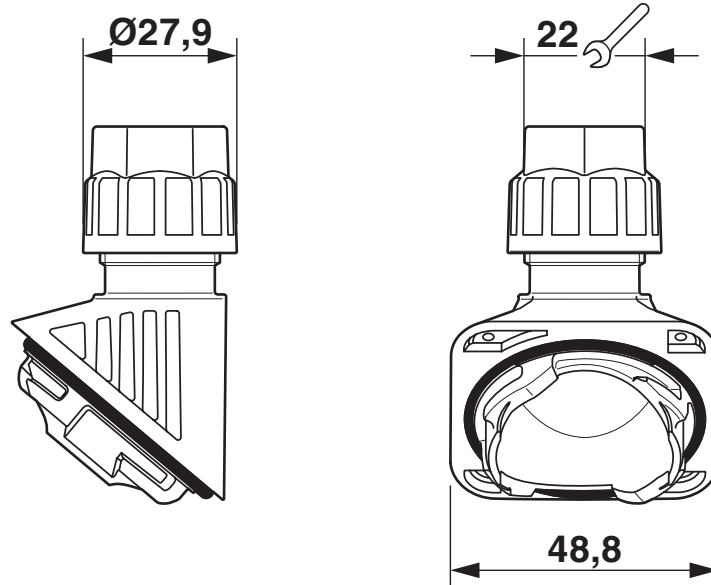
1407669

<https://www.phoenixcontact.com/us/products/1407669>



Drawings

Dimensional drawing



Dimensional drawing

HC-B-G-M20-PLRBK - Cable gland



1407669

<https://www.phoenixcontact.com/us/products/1407669>

Approvals

To download certificates, visit the product detail page: <https://www.phoenixcontact.com/us/products/1407669>

DNV

Approval ID: TAE000037S



cUL Recognized

Approval ID: E255026



UL Recognized

Approval ID: E255026



EAC

Approval ID: RU C-DE.AI30.B.01102



EAC-RoHS

Approval ID: RU D-DE.HB35.B.00387

cULus Recognized

HC-B-G-M20-PLRBK - Cable gland



1407669

<https://www.phoenixcontact.com/us/products/1407669>

Classifications

ECLASS

ECLASS-11.0	27144432
ECLASS-12.0	27140801
ECLASS-13.0	27140801

ETIM

ETIM 9.0	EC000441
----------	----------

UNSPSC

UNSPSC 21.0	39121300
-------------	----------

HC-B-G-M20-PLRBK - Cable gland



1407669

<https://www.phoenixcontact.com/us/products/1407669>

Environmental product compliance

EU RoHS

Fulfills EU RoHS substance requirements	Yes, No exemptions
---	--------------------

China RoHS

Environment friendly use period (EFUP)	EFUP-E
	No hazardous substances above the limits

EU REACH SVHC

REACH candidate substance (CAS No.)	No substance above 0.1 wt%
-------------------------------------	----------------------------

HC-B-G-M20-PLRBK - Cable gland

1407669

<https://www.phoenixcontact.com/us/products/1407669>



Accessories

WP-GR HF CTA M20 BK - Corrugated tube screw connection

3241220

<https://www.phoenixcontact.com/us/products/3241220>



Corrugated pipe adapter, with internal thread, for connecting corrugated pipes to HEAVYCON EVO M20 plastic cable glands or ADVANCE M20 plastic housings, straight, black, IP66.

SEALING PLUG 12X22 RD - Closing cap

1400260

<https://www.phoenixcontact.com/us/products/1400260>



Closing cap, color: red

Phoenix Contact 2024 © - all rights reserved

<https://www.phoenixcontact.com>

Phoenix Contact USA

586 Fulling Mill Road

Middletown, PA 17057, United States

(+717) 944-1300

info@phoenixcon.com