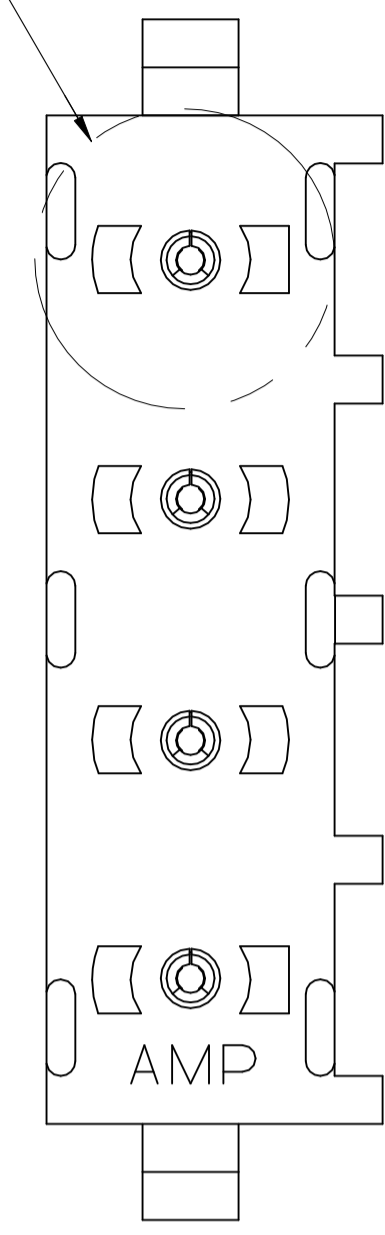
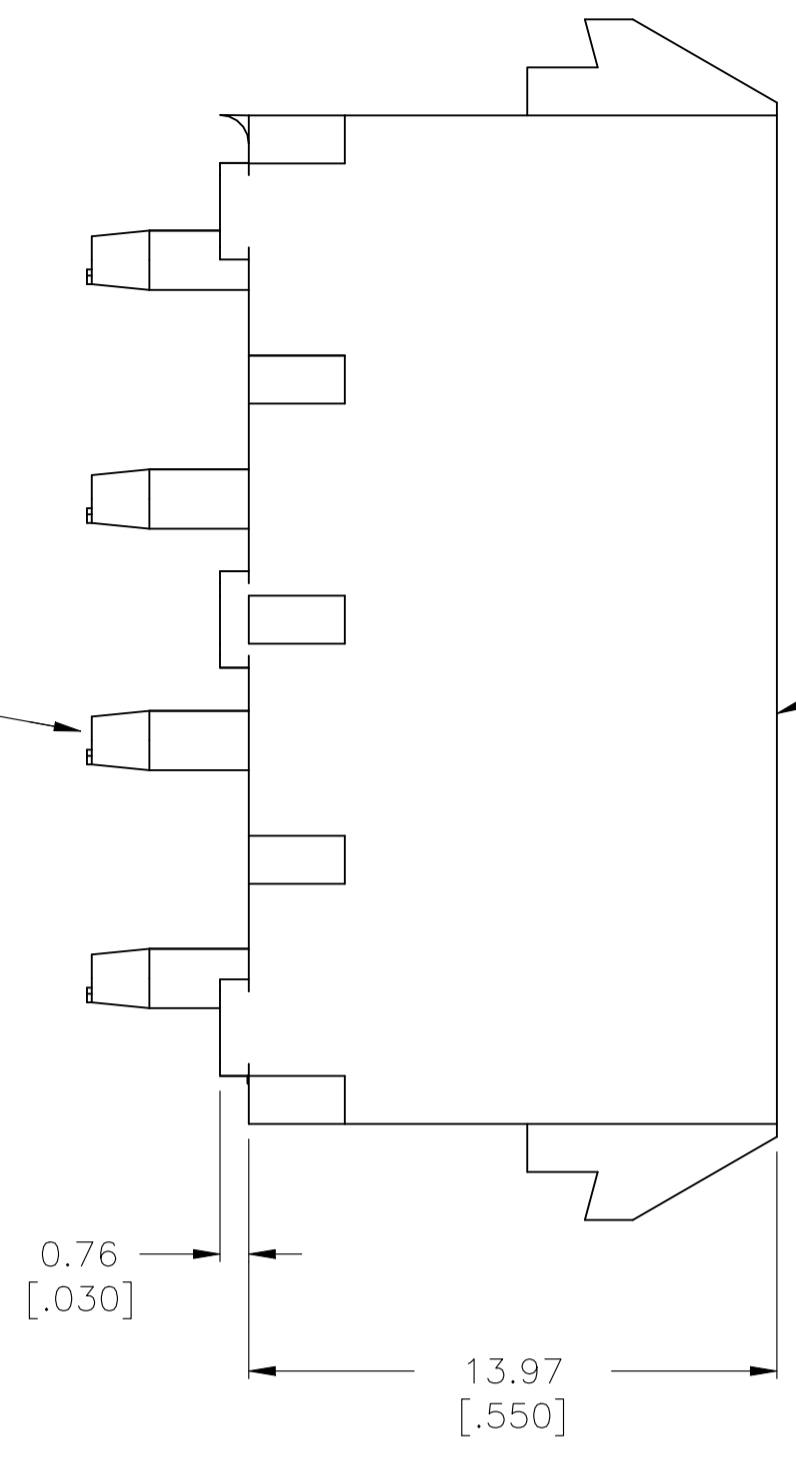


REVISIONS					
REV	DATE	DESCRIPTION	BY	CHK	APP'D
A2	02NOV2021	REVISED PER ECR-21-119230	SS	VS	

SEE DETAIL A



CONTACT 4 REQ'D

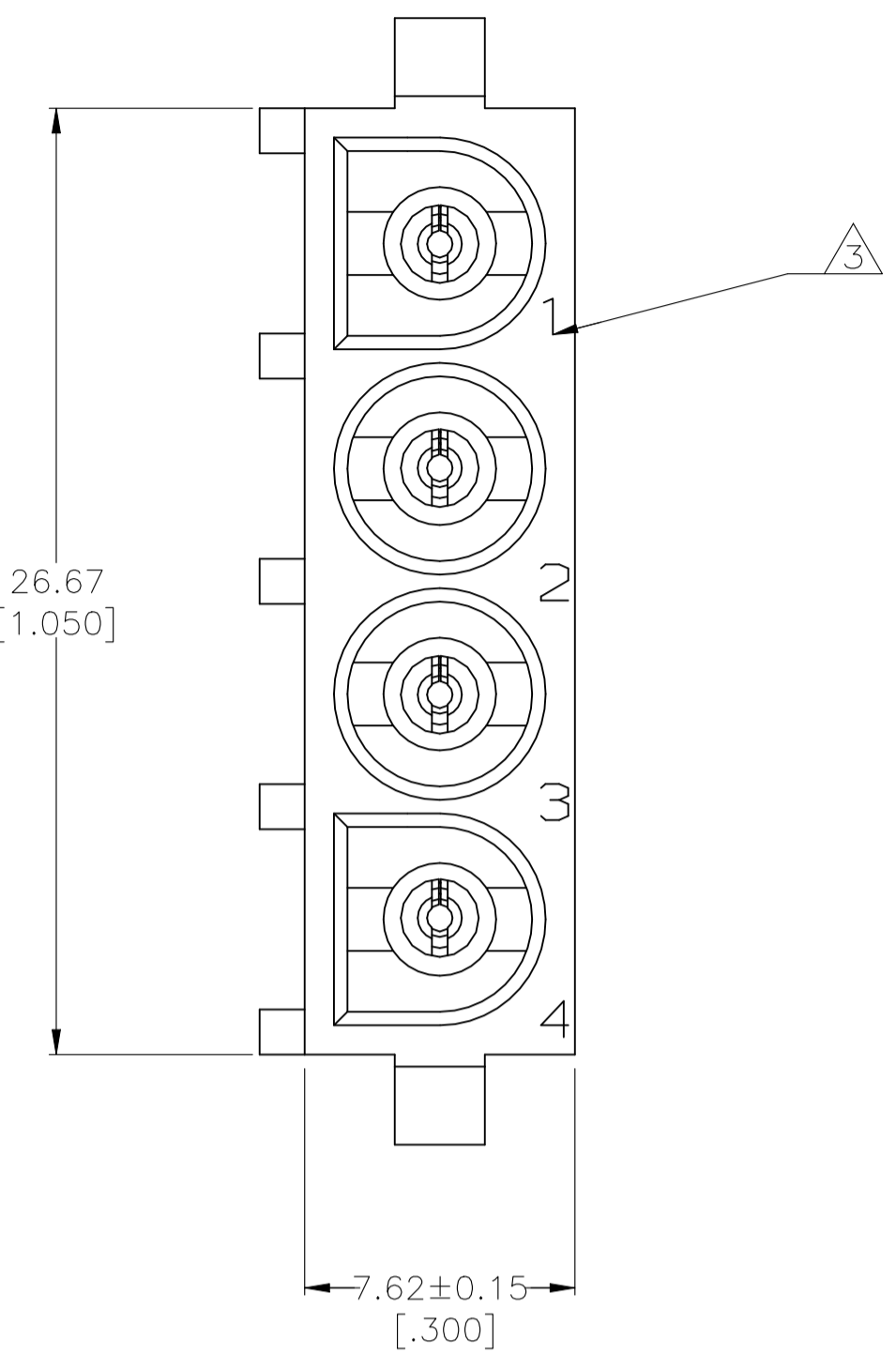


HOUSING

26.67  
[1.050]

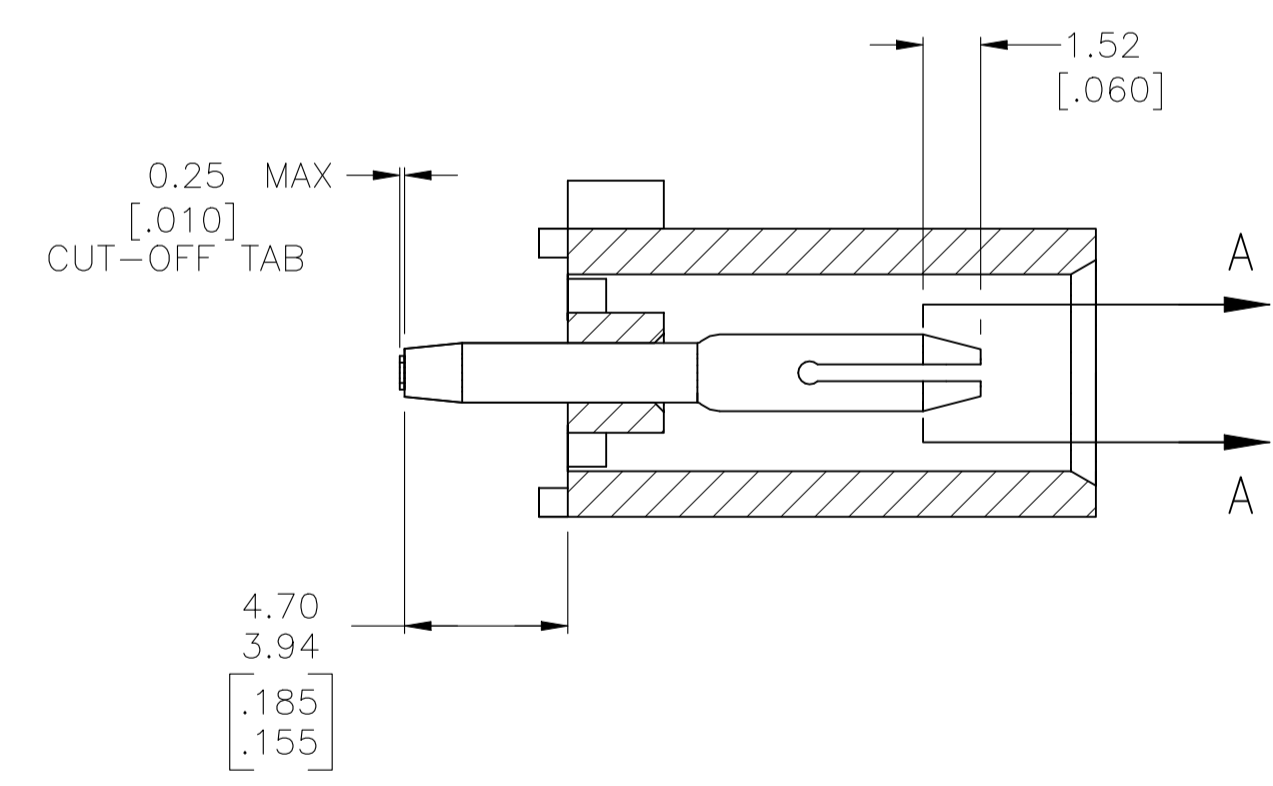
0.76  
[.030]

13.97  
[.550]



7.62±0.15  
[.300]

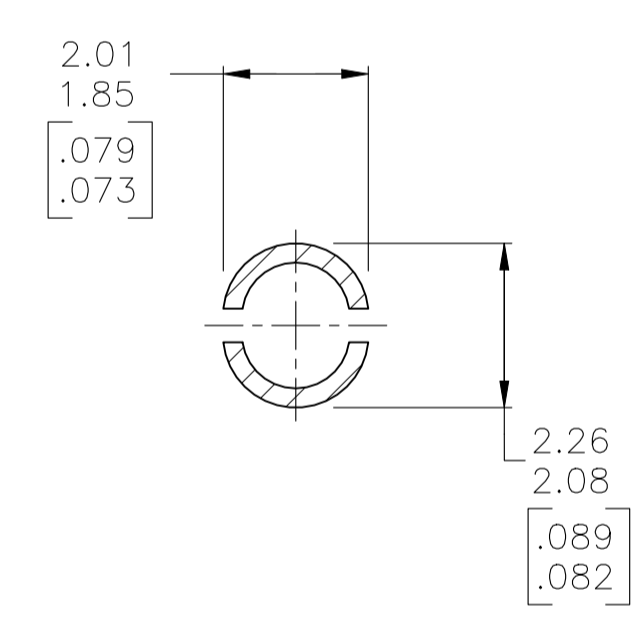
- 1 PARTS COMPLY TO TE SOLDERABILITY SPECIFICATION 109-11-3.
- 2 DRAIN HOLES LOCATED AS SHOWN. OPTIONAL CONSTRUCTION - ALL DRAIN HOLES LOCATED 90° AS SHOWN IN DETAIL A.
- 3 CIRCUIT IDENTIFICATION CHARACTERS ARE ADJACENT TO THE INDICATED CAVITIES, BUT LOCATION AND ORIENTATION MAY DIFFER FROM PRINT.
- 4 DIMENSIONS IN BRACKETS ARE IN INCHES.
- 5 FLAMMABILITY UL V-0 FOR THICKNESS 0.4, 0.45, 0.8, 1.6, AND 3.0 PER IEC 60695-11-10.
- 6 GLOW WIRE FLAMMABILITY (GWF): 960°C FOR THICKNESS 0.45, 0.8, 1.6, AND 3.0 PER IEC 60695-2-12.
- 7 GLOW WIRE IGNITION (GWI): 825°C FOR THICKNESS 0.45, 800°C FOR THICKNESS 0.8, 775°C FOR THICKNESS 1.6 AND 3.0 PER IEC 60695-2-13.
- 8 DIMENSIONS SHOWN REPRESENT PRODUCT IN DRY CONDITION. ADDITIONAL 2% GROWTH DUE TO END USE LOCATION MOISTURE ABSORPTION MAY OCCUR AND SHOULD BE ACCOUNTED FOR.



0.25 MAX  
[.010]  
CUT-OFF TAB

1.52  
[.060]

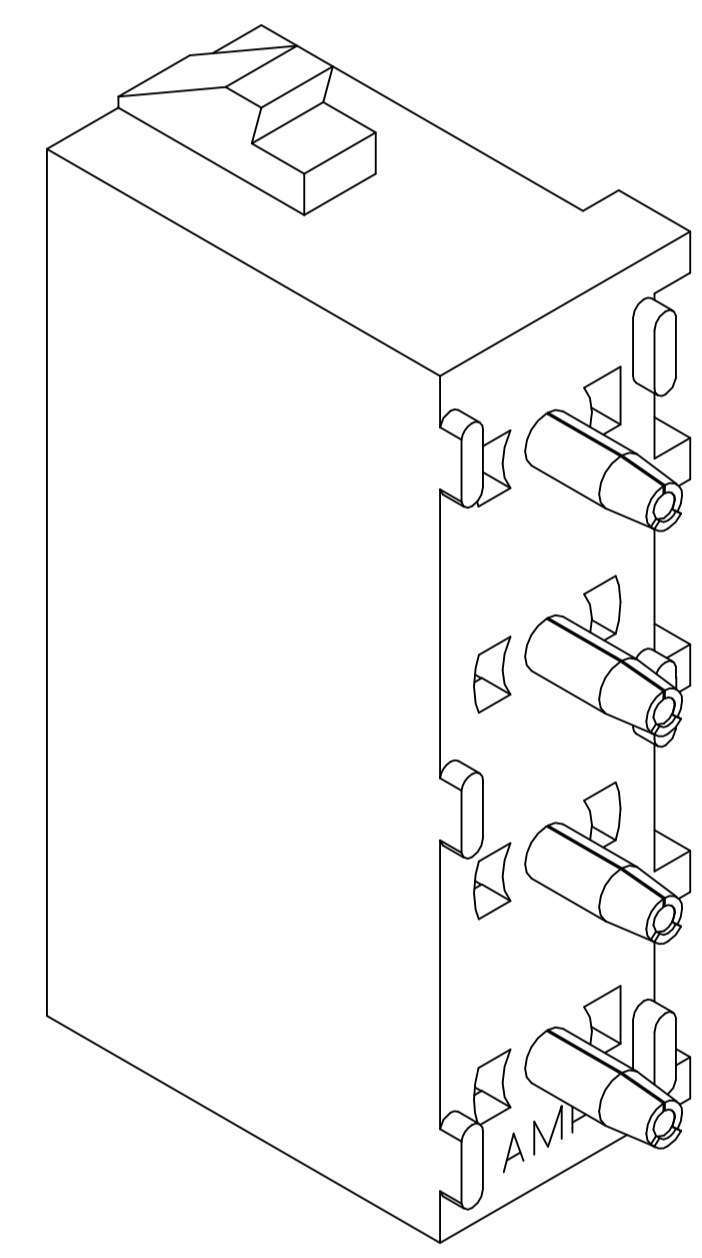
4.70  
3.94  
[.185]  
[.155]



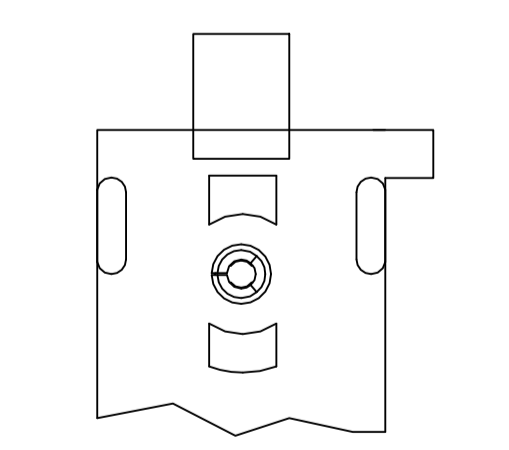
2.01  
1.85  
[.079]  
[.073]

2.26  
2.08  
[.089]  
[.082]

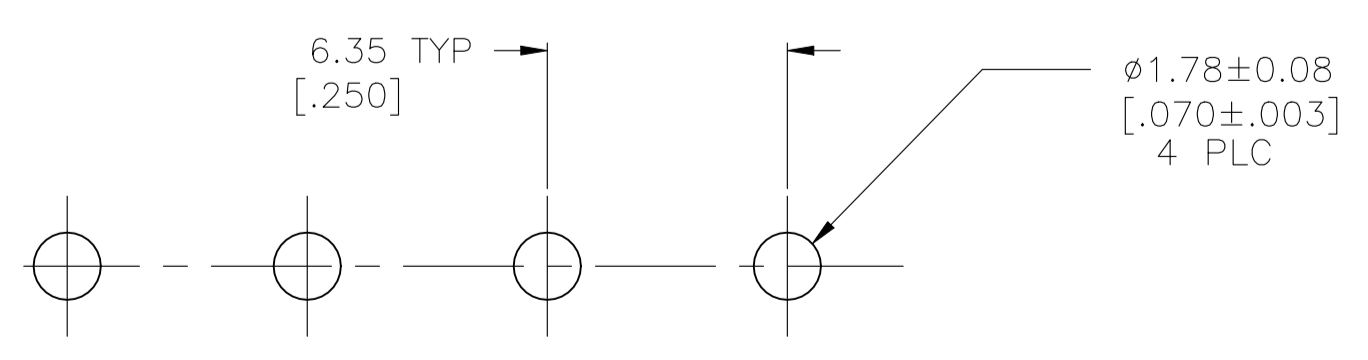
SECTION A-A  
SCALE 10:1



3-DIMENSIONAL MODEL NTS



DETAIL A  
OPTIONAL CONSTRUCTION



6.35 TYP  
[.250]

Ø1.78±0.08  
[.070±.003]  
4 PLC

RECOMMENDED MOUNTING HOLE PATTERN FOR 1.57 [.062] THICK P.C. BOARD

PHOSPHOR BRONZE, PRE-TIN		NYLON, UL V-0 GW		1969807-1	
PIN CONTACT MATERIAL AND FINISH		HOUSING MATERIAL		PART NUMBER	
THIS DRAWING IS A CONTROLLED DOCUMENT.		DIN: PASVESH WARAD 02JAN2016		TE Connectivity	
DIMENSIONS: mm [INCHES]		CHK: WICKES EVAN 02JAN2016		NAME: PIN HEADER ASSEMBLY, 4 CIRCUIT UNIVERSAL MATE-N-LOK(TM)	
TOLERANCES UNLESS OTHERWISE SPECIFIED:		APVD: WICKES EVAN 02JAN2016		RESTRICTED TO	
0 PLC ± -		PRODUCT SPEC		SIZE: A1	
1 PLC ± -		APPLICATION SPEC		SCALE: 5:1	
2 PLC ± 0.13 [.005]		WEIGHT: 0.000000		SHEET 1 OF 1	
3 PLC ± -		DRAWING NO: 1969807		REV: A2	
4 PLC ± -		CUSTOMER DRAWING			
ANGLES ± ± 0°30'					