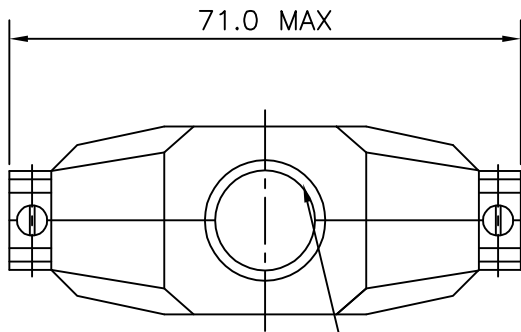


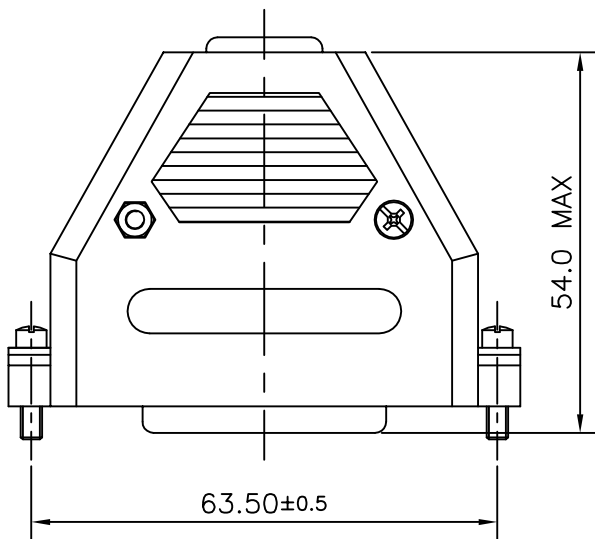
1

2

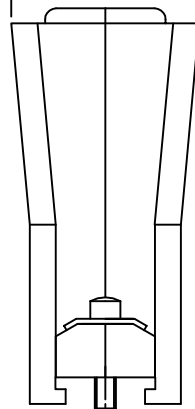
2	8630-CH37UNCLF	UNC 440
1	8630-CH37M3LF	M3
SL.NO.	PART NO:	THREAD



CABLE ENTRY ϕ 14.0 MAX.



25.4 MAX



THREAD

Amphenol FCI

"This LF product meets European Union Directives and other country regulations as described in GS-47-0004"

Packaging as per GS-14-920

MATERIALS:
 1.BS UNFILLED UL 94 HB (STANDARD)
 2.TEMP RANGE -55°C TO +85°C

mat'l. code				surface		tolerance		projection		product family			
-				ISO 1302 <input checked="" type="checkbox"/>		ISO 406 ISO 1101				D-SUB			
ltr	ecn no	dr	date	tolerances unless otherwise specified						title			
H	ELX-I-25452	GREGAR	2016-11-25	angles		linear		mm		CONNECTOR HOOD 37 POS			
				0°±1'		.00±0.1		←→		scale NTS			
				dr	MINI K VANDANATH	1995-09-09			dwg no		sheet 1 of 1	size	
				enr	MITHUN PAUL	2016-11-25			C-DSUB-0025		A4		
				chr	GREGAR MATHEW	2016-11-25			Product Customer Drawing				
				appd	BIJU K PAUL	2016-11-25							
sheet index	revision sheet	H	1										

form: A4-2016-02-24

1

2