



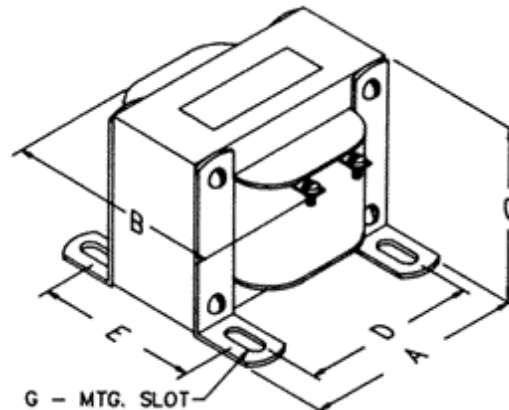
Quality Products. Service Excellence.

Heavy Current Chassis Mount 195-196 Series

Features



- Open core & coil, 4-slot bracket mounting chokes
- Tolerance of 15% on both inductance & resistance
- Storage: -40C to 105C temperature range
- Operating: -40C to 85C temperature range
- Inductances measured at rated D.C. current
- The "195" series is single coil
- The "196" series is dual coil - allowing more versatility
- Recommended maximum operating voltage 600 VAC (winding to core)
- Hipot tested at 2,500 VAC
- Connections are made to a screw terminal or heavy copper tabs with holes
- Perfect for high current power supply filtering
- All chokes are UL approved under **Type 3AH**, E207860, 30V7
- For AC applications 60 Hz to 10,000 Hz try our **197 Series**



195 Series

Part No.	Inductance mH (Millihenries)	D.C. Current (Amps)	Insulation Class	Dimensions					Mounting Slot		Weight (lbs.)	
				A	B	C	D	E	G			
195A200	0.3	200	-	7.50	7.00	6.50	6.00	5.25	0.28	x	0.56	46
195A300	0.1	300	B	7.50	7.00	6.38	6.00	5.25	0.37	x	1.00	46
195B100	0.5	100	-	6.38	6.25	5.38	5.25	4.13	0.28	x	0.56	31
195B150	0.5	150	B	5.25	5.50	4.47	4.38	4.13	0.28	x	0.56	26
195C20	1	20	A	3.00	3.06	2.50	2.50	2.25	0.20	x	0.38	3
195C30	1	30	A	3.75	3.85	3.13	3.13	2.50	0.20	x	0.38	6
195C50	1	50	A	4.50	5.25	3.75	3.75	3.50	0.20	x	0.38	14.5
195C75	1	75	A	5.25	6.00	4.47	4.38	4.63	0.28	x	0.56	23
195C100	1	100	B	5.25	6.50	4.47	4.38	5.13	0.28	x	0.56	26
195D50	1.4	50	-	6.38	5.50	5.38	5.25	3.88	0.28	x	0.56	28
195E20	2.5	20	A	3.75	4.20	3.13	3.13	2.75	0.20	x	0.38	6.5
195E30	2.5	30	A	4.50	5.25	3.75	3.75	3.50	0.20	x	0.38	12.5

Part No.	Inductance mH	D.C. Current	Insulation	Dimensions					Mounting Slot			Weight (lbs.)
	(Millihenries)	(Amps)	Class	A	B	C	D	E	G			
195E50	2.5	50	A	5.25	6.00	4.47	4.38	4.63	0.28	x	0.56	23.5
195E75	2.5	75	B	6.00	6.63	5.16	5.00	4.88	0.28	x	0.56	32.5
195E100	2.5	100	B	9.00	9.75	7.50	7.00	6.00	0.44	x	0.75	88
195F30	4	30	-	6.38	5.00	5.38	5.25	3.25	0.28	x	0.56	23
195G10	5	10	A	3.75	3.60	3.13	3.13	2.25	0.20	x	0.38	5.5
195G20	5	20	A	4.50	4.75	3.75	3.75	3.00	0.20	x	0.38	10.5
195G25	5	25	-	5.25	6.00	4.44	4.38	3.63	0.28	x	0.56	18
195G30	5	30	A	5.25	5.00	4.47	4.38	3.63	0.28	x	0.56	16
195G50	5	50	B	7.50	6.50	6.25	6.00	4.50	0.38	x	0.63	38
195G75	5	75	B	9.00	9.50	7.76	7.00	7.00	0.44	x	0.75	87
195H20	7	20	-	5.25	6.00	4.44	4.38	3.63	0.28	x	0.56	17
195J10	10	10	A	3.75	4.35	3.13	3.13	3.00	0.20	x	0.38	8
195J12	10	12.5	B	4.12	3.25	3.44	3.44	2.34	0.20	x	0.38	-
195J20	10	20	A	5.25	5.00	4.47	4.38	3.63	0.28	x	0.56	17.5
195J30	10	30	A	6.00	7.50	5.00	5.00	5.88	0.31	x	0.50	36
195J50	10	50	B	9.00	9.75	7.50	7.00	6.25	0.44	x	0.75	79
195K12	15	12	-	5.25	5.50	4.44	4.38	3.13	0.28	x	0.56	14
195K16	15	16	-	5.25	6.00	4.44	4.38	3.63	0.28	x	0.56	17
195M10	20	10	A	4.50	4.75	3.75	3.75	3.00	0.20	x	0.38	10.2
195M20	20	20	A	6.00	7.50	5.00	5.00	5.88	0.31	x	0.50	34
195M30	20	30	B	6.00	7.63	5.16	5.00	5.88	0.28	x	0.56	41
195P5	30	5	A	3.75	4.20	3.13	3.13	2.75	0.20	x	0.38	6.5
195P8	30	8	-	4.12	3.75	3.50	3.43	3.00	0.20	x	0.38	-
195P10	30	10	A	4.50	5.25	3.75	3.75	3.50	0.20	x	0.38	16
195P20	30	20	B	5.25	6.91	4.47	4.38	5.54	0.28	x	0.56	28
195Q2	35	2	B	2.63	2.00	2.21	2.19	1.75	0.19	x	0.38	-
195Q6	40	6	-	3.75	3.62	3.25	3.12	3.00	0.20	x	0.38	-
195R10	50	10	A	5.25	5.50	4.47	4.38	4.13	0.28	x	0.56	26
195R20	50	20	B	9.00	8.25	7.50	7.00	5.75	0.44	x	0.75	72
195S2	70	2	-	3.37	2.75	2.87	2.81	2.12	0.20	x	0.38	-
195S4	70	4	-	3.75	3.25	3.13	3.13	2.50	0.20	x	0.38	-
195T1	100	1	-	3.00	2.50	2.50	2.50	2.00	0.20	x	0.38	-
195T5	100	5	A	4.50	5.25	3.75	3.75	3.50	0.20	x	0.38	14
195T10	100	10	B	7.50	6.00	6.25	6.00	4.25	0.38	x	0.63	35

196 Series - Dual Coil - Heavy Current Chokes

Part No.	Parallel Connected		Series Connected		Resistance (Each Winding) (Ohms)	Insulation Class	Overall Dimensions					Mounting Slot G	Weight (lbs.)
	Inductance mH (Millihenries)	D.C. Current (Amps)	Inductance mH (Millihenries)	D.C. Current (Amps)			A	B	C	D	E		
196B50	0.125	100	0.5	50	0.018	-	4.50	4.50	3.75	3.75	3.00	0.28 x 0.56	8.00
196D25	0.3	50	1.2	25	0.006	-	3.75	4.25	3.13	3.13	2.75	0.28 x 0.56	6.45
196G12	1.2	24	4.8	12	0.024	-	3.38	3.56	2.81	2.81	3.00	0.20 x 0.38	6
196K6	3	12	12	6	0.052/0.056	-	3.37	3.06	2.81	2.81	2.50	0.20 x 0.38	4.45
196M4	5	8	20	4	0.11	-	3.00	2.87	2.50	2.50	2.50	0.20 x 0.38	3.3
196Q2	10	4	40	2	0.24	-	3.12	2.12	2.75	2.81	-	0.19	1.85
196S1	18	2	72	1	0.553	-	2.00	2.00	2.31	2.38	-	0.19	1.4

Tags: choke, heavy current, chassis mount, open core, single coil, double coil

Data subject to change without notice

