

Multi Control Devices **Switch Type**

4-directional Stick Switch (with Encoder + Center-push Function)
RKJXT1F Series

Automotive-compatible multifunctional device with a 17×17mm round body, offering 1-axis 4-direction/push/encoder functions.



- Directional resolution: 4-direction
- Ratings (max.) (Resistive load): 10mA 5V DC
- Operating temperature range: -40°C to +85°C

Applications: Audio_TV: Visual
 Automotive: Navigation/audio systems, HVAC

■ Product List

Products No.	Stick switches		Encoder		Dimensions (W×D×H) (mm)	Automotive	Drawing No.
	Operating angle (Directions)	Travel (Center push) (mm)	Number of detent	Number of pulse			
RKJXT1F42001	Each direction 9°max.	0.3±0.2	30	15	17.0×17.0×10.5	●	1

Note

1. This catalog shows only outline specifications. When using the products, please obtain formal specifications for supply.
2. Please place purchase orders per minimum order unit (integer).

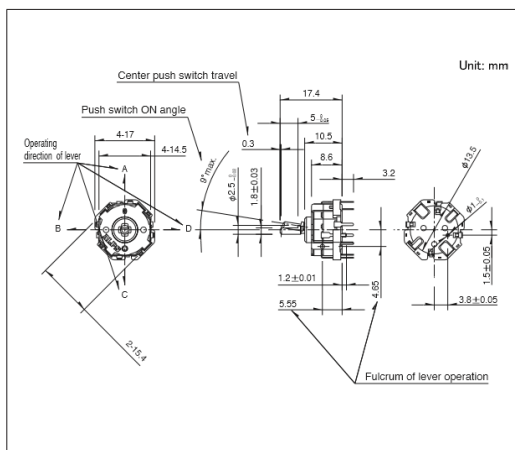
■ Packing Specifications

Tray

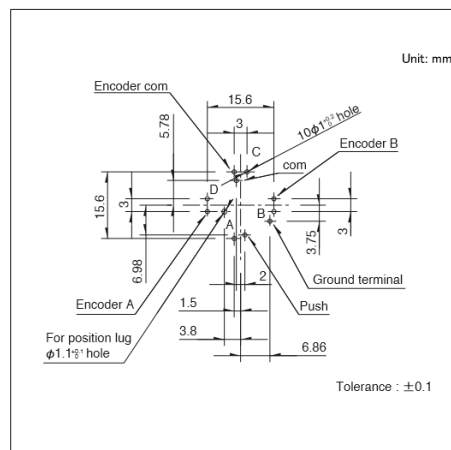
Number of packages (pcs.)		Export package measurements (mm)
1 case / Japan	1 case / export packing	
1,320	2,640	555×375×333

Drawing No.1

■ Dimensions



■ Mounting Hole Dimensions



Viewed from mounting side.

■ Circuit Diagram

