

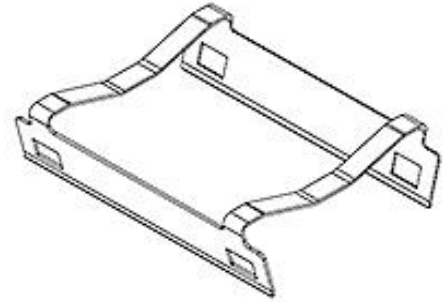
Part Number : [1000130181](#)

Product Description : Heat Sink Clip for T-Path Cage

Series Number : 100003

Status : Active

Product Category : High-Speed EMI Cages



Documents and Resources


Drawings

[1000130181_sd.pdf](#)

[PK-100013-0181-001.pdf](#)

Product Environment Compliance

Compliance

GADSL/IMDS	Not Relevant
China RoHS	 per SJ/T 11365-2006
EU ELV	Compliant per 2000/53/EC
Low-Halogen Status	Low-Halogen per IEC 61249-2-21
REACH SVHC	Not Contained per D(2025)7771-DC (04 Feb 2026)
EU RoHS	Compliant per EU 2015/863

Compliance Statements

- EU RoHS
- REACH SVHC
- Low-Halogen

Industry Documents

- IPC 1752A Class C
- IPC 1752A Class D
- Molex Product Compliance Declaration
- IEC-62474
- chemSHERPA (xml)

Substances of Interest

- PFAS

Part Details

General

Status	Active
Category	High-Speed EMI Cages
Series	100003
Description	Heat Sink Clip for T-Path Cage
Application	N/A
Component Type	Clip
Product Name	T-Path
UPC	889056468763

Physical

EMI Panel / Bezel Mount	N/A
Light Pipes per Port	N/A
Material - Metal	Stainless Steel
Net Weight	0.652/g
Orientation	Horizontal
Packaging Type	Tray
Port Configuration	N/A
Rear Legs	N/A
Thermal Height	N/A
Thermal Solutions	N/A