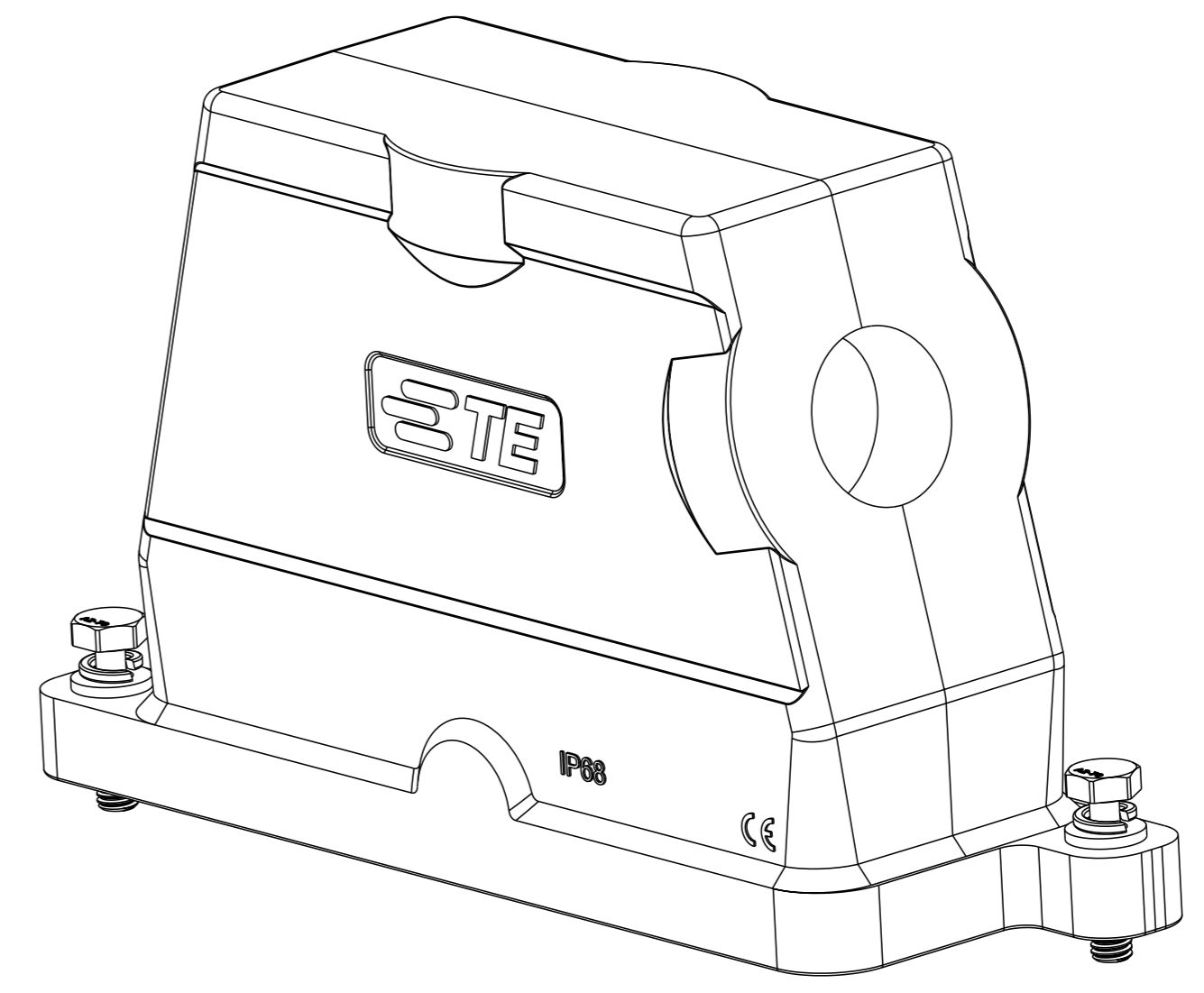
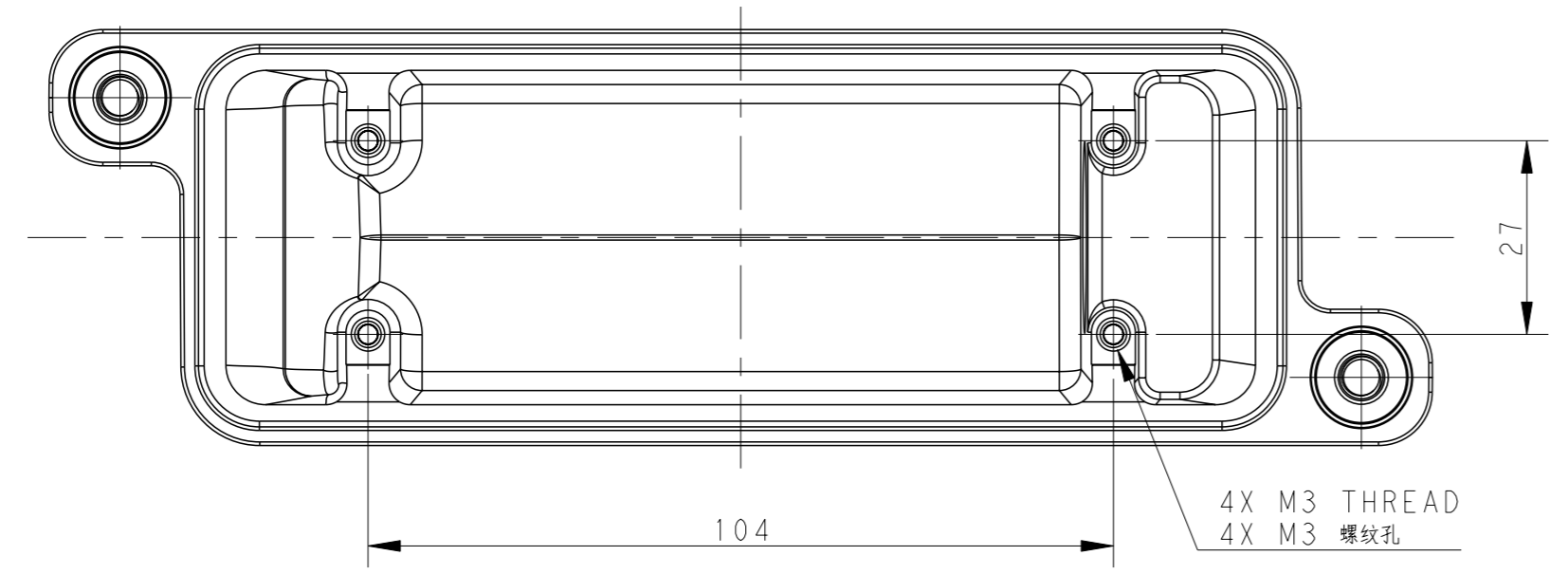
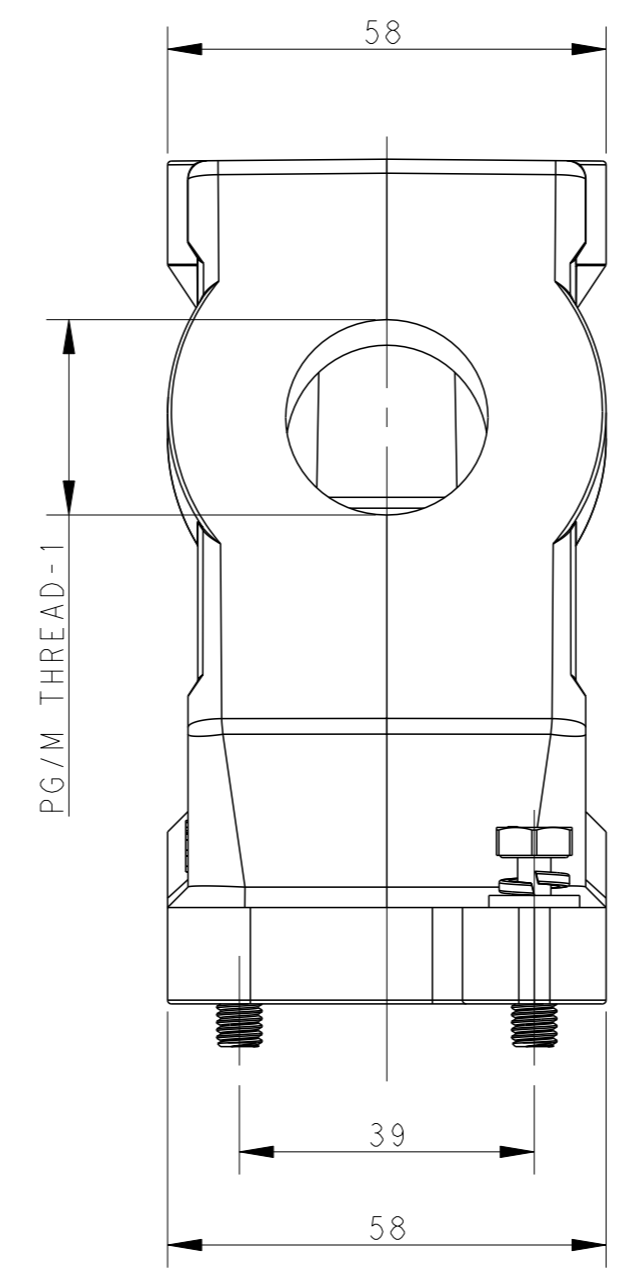
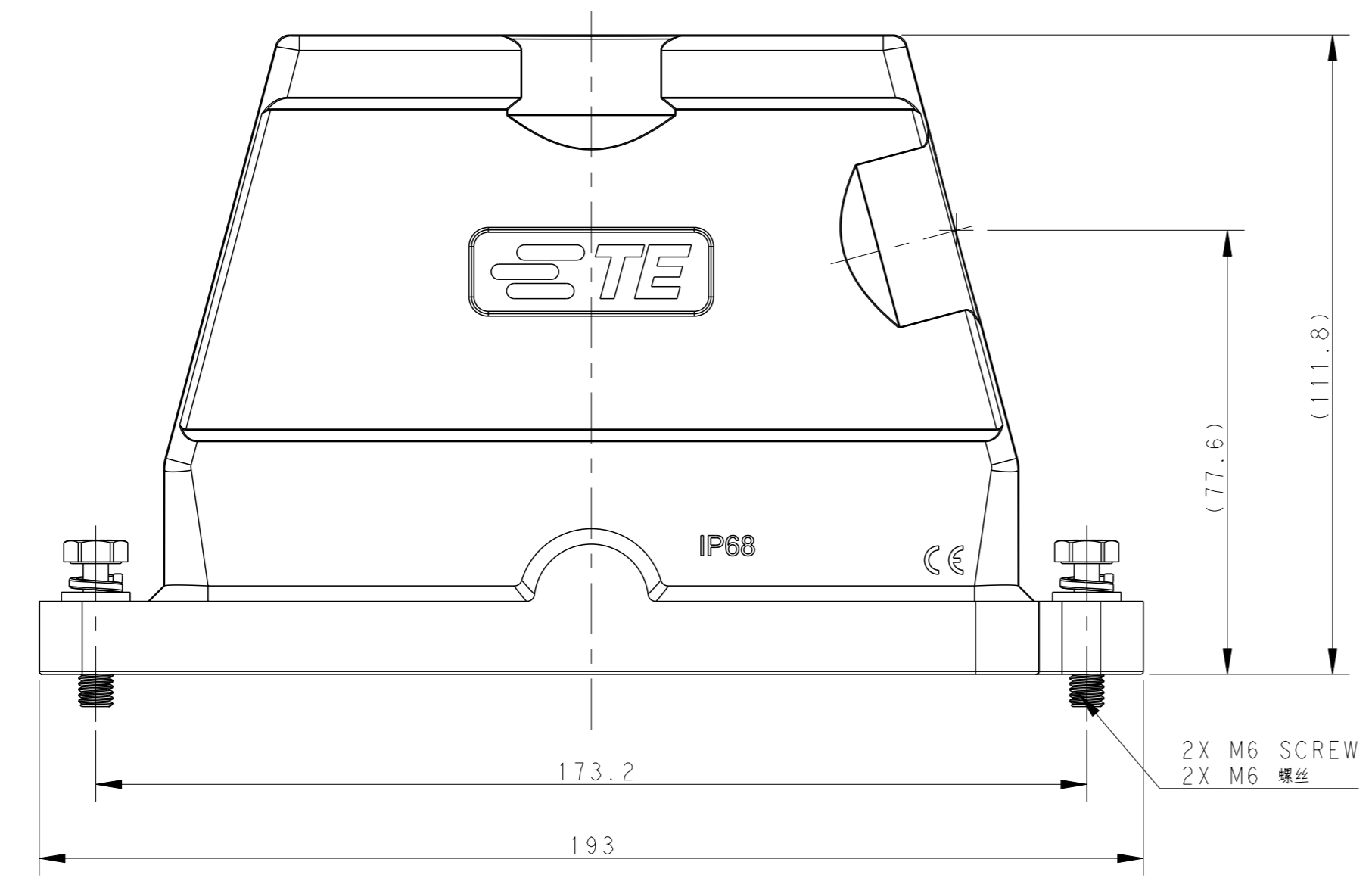


| REVISIONS | | | | |
|-----------|------|-----------------|-----------|-------|
| # | DATE | DESCRIPTION | DATE | APPV |
| A | | INITIAL RELEASE | 26AUG2016 | DW CW |
| B | | ECR-20-016312 | 03JUN2021 | BS CW |



NOTES:
 1. TECHNICAL CHARACTERISTICS:
 HOOD MATERIAL: DIE CAST ALUMINIUM ALLOY
 SURFACE: SEE TABLE
 DEGREE OF PROTECTION: IP68 (MATED)

注释:
 1. 技术参数:
 壳体材料: 铝合金
 表面处理: 见表格
 防护等级: IP68 (配合)

| PART NUMBER 料号 | DESCRIPTION 描述 | PG/M THREAD-1 PG/M 螺纹-1 |
|-------------------|--|----------------------------|
| T1910241140-009 | H24BPR-TSH-M40-EMC-C H24BPR 对角锁定侧出上壳M40 银白色 | M40 |
| T1910241136-009 | H24BPR-TSH-PG36-EMC-C H24BPR 对角锁定侧出上壳PG36 银白色 | PG36 |
| T1910241132-009 | H24BPR-TSH-M32-EMC-C H24BPR 对角锁定侧出上壳M32 银白色 | M32 |
| T1910241129-009 | H24BPR-TSH-PG29-EMC-C H24BPR 对角锁定侧出上壳PG29 银白色 | PG29 |
| T1910241125-009 | H24BPR-TSH-M25-EMC-C H24BPR 对角锁定侧出上壳M25 银白色 | M25 |
| T1910241121-009 | H24BPR-TSH-PG21-EMC-C H24BPR 对角锁定侧出上壳PG21 银白色 | PG21 |
| T1910240140-009 | H24BPR-TSH-M40-EMC-C H24BPR 对角锁定侧出上壳M40 黑色 | M40 |
| T1910240136-009 | H24BPR-TSH-PG36-EMC-C H24BPR 对角锁定侧出上壳PG36 黑色 | PG36 |
| T1910240132-009 | H24BPR-TSH-M32-EMC-C H24BPR 对角锁定侧出上壳M32 黑色 | M32 |
| T1910240129-009 | H24BPR-TSH-PG29-EMC-C H24BPR 对角锁定侧出上壳PG29 黑色 | PG29 |
| T1910240125-009 | H24BPR-TSH-M25-EMC-C H24BPR 对角锁定侧出上壳M25 黑色 | M25 |
| T1910240121-009 | H24BPR-TSH-PG21-EMC-C H24BPR 对角锁定侧出上壳PG21 黑色 | PG21 |

| | | | |
|---|--|---|---|
| THIS DRAWING IS A CONTROLLED DOCUMENT. | | OWN: DAVID WANG 26AUG2016 | TE Connectivity NAME: H24BPR-TSH-PG/M-EMC-C |
| DIMENSIONS: | | CHK: CHRIS WANG 26AUG2016 | |
| TOLERANCES UNLESS OTHERWISE SPECIFIED: | | APPV: XIANG XU 26AUG2016 | |
| mm 0 PLC ± 2 PLC ± 3 PLC ± 4 PLC ± ANGLES FINISH ± | | PRODUCT SPEC: 108-137191 APPLICATION SPEC: 114-137191 WEIGHT: - CUSTOMER DRAWING | |
| MATERIAL: | | SIZE: A1 | CAGE CODE: - DRAWING NO: C-T191024XXXXX09 RESTRICTED TO: - SCALE: 1:1 SHEET: 1 of 1 REV: B |