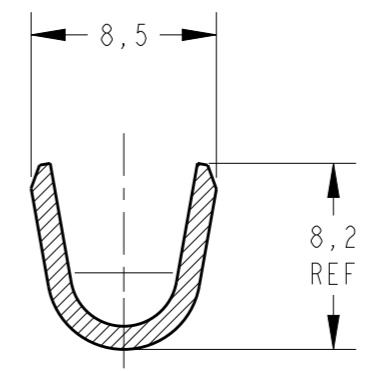
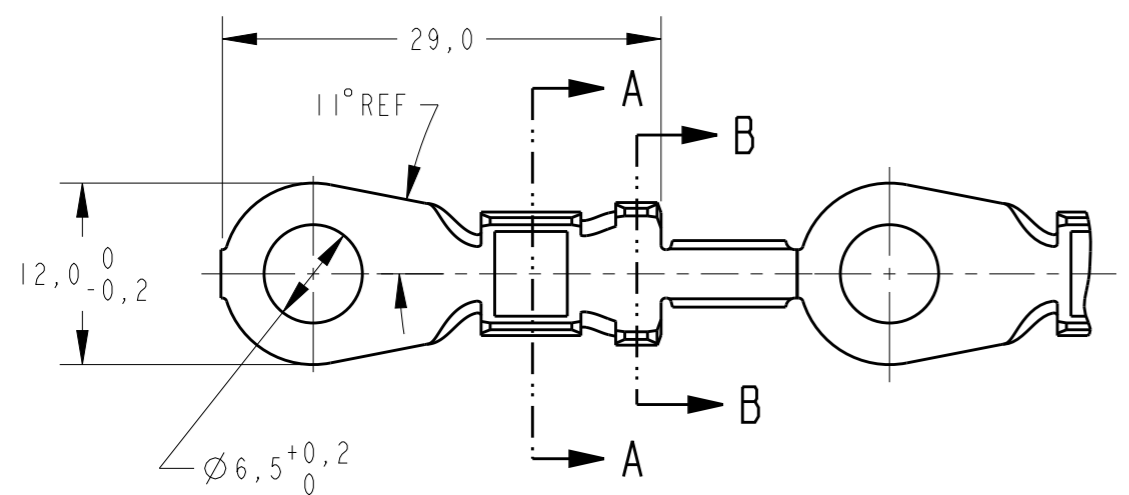


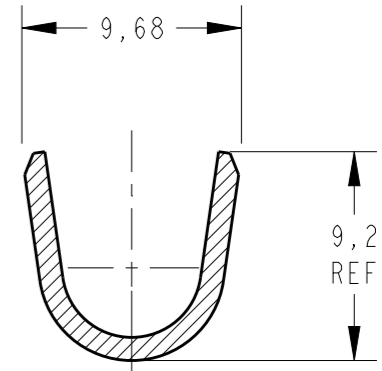
THIS DRAWING IS UNPUBLISHED. RELEASED FOR PUBLICATION 20
 © COPYRIGHT 20 BY - ALL RIGHTS RESERVED.

| LOC | DIST | REVISIONS | | | | |
|-----|------|-------------------------------|-----------|-----|------|--|
| P | LTR | DESCRIPTION | DATE | DWN | APVD | |
| AP | - | | | | | |
| B2 | | REDRAW BY CAD ECO-14-002488 | 19FEB2014 | NCL | GB | |
| C | | REVISED DRAWING ECO-14-013530 | 08SEP2014 | NCL | LWP | |

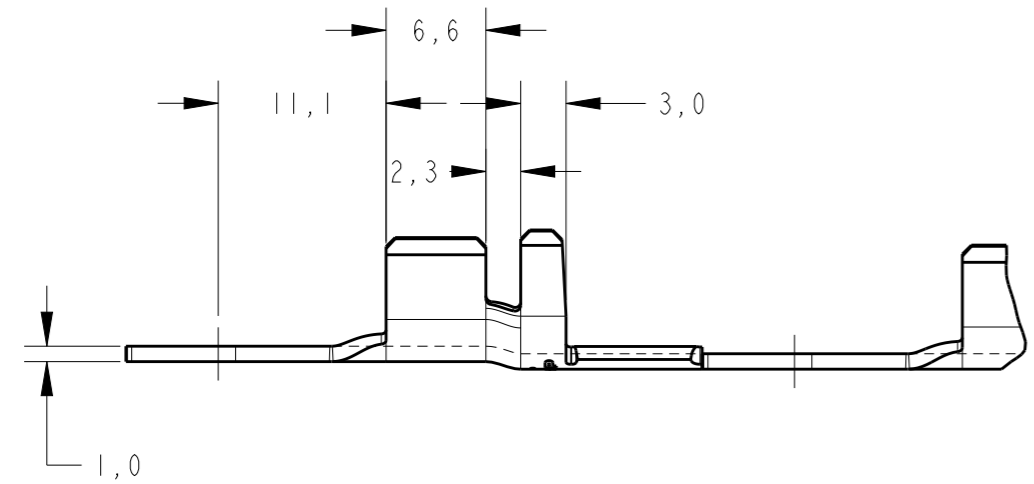
creo
 Creo Parametric 2.0
**DO NOT REUSE
 EXCEPT BY CAD**



SECTION A-A
 SCALE 3:1



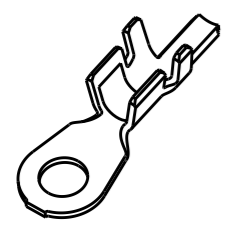
SECTION B-B
 SCALE 3:1



1 - BOBINAR COM PAPEL INTERCALADO
 - REELING WITH PAPER INTERLEAVE

2 - OBSOLETE PARTS: OBSOLETE CIS STREAMLINING PER D.RENAUD/D.SINISI

| 2 OBSOLETE | INSUL RANGE | WIRE RANGE | FINISH | MATERIAL | PART NO |
|--------------------------|-------------------------------------|-----------------------------------|--------------------------|---------------------|---------|
| Ø 4,6 - 6,6mm | 6,0 - 10,0mm² | ESTANHADO / TIN PLATED | LATÃO / BRASS | 881016-3 | |
| Ø 4,6 - 6,6mm | 6,0 - 10,0mm ² | ESTANHADO / TIN PLATED | LATÃO / BRASS | 881016-2 | |
| Ø 4,6 - 6,6mm | 6,0 - 10,0mm ² | — | LATÃO / BRASS | 881016-1 | |



PERSPECTIVE VIEW
 SCALE 1:1

THIS DRAWING IS A CONTROLLED DOCUMENT.

| | | | | |
|--------------------|--|--|---------------------------------------|-----------------|
| DIMENSIONS: mm | TOLERANCES UNLESS OTHERWISE SPECIFIED: 0 PLC ± 1 PLC ±0,3 2 PLC ± 3 PLC ± 4 PLC ± ANGLES ±1° | DWN 20FEB2014 NCLAPRESA CHK 20FEB2014 JRGOLDSCHMIDT APVD 20FEB2014 DAOLIVEIRA | TE Connectivity RING TONGUE | |
| MATERIAL SEE TABLE | FINISH SEE TABLE | PRODUCT SPEC - | APPLICATION SPEC - | RESTRICTED TO - |
| | | WEIGHT - | SIZE A3 | CAGE CODE 00779 |
| | | Customer Drawing | DRAWING NO C-881016 | SCALE 3:1 |