

[HOME](#) > [Products](#) > [Fuse Holders](#) > MF-528

Search by product No.

Search product page

Browse parts by category

Plugs & Jacks

Fuse Holders

Connectors

Switches

USB-C Connectors

Binding Posts

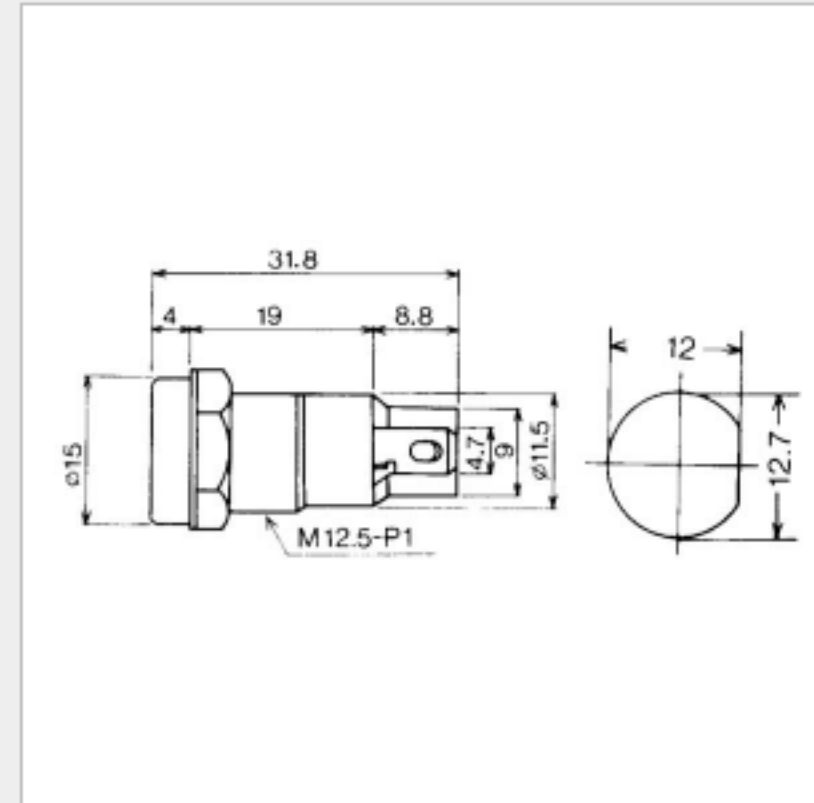
Audio Adaptors


Banana, Test Pins & Sockets

Push Terminals

MF-528

*If you need more detailed drawing or spec., please "[contact us](#)".



品番: Part No.:	MF-528
品名: Part Name:	ヒューズホルダー Fuse Holder
取得規格: Approvals:	
備考: Remarks:	Rating: 10A 250V AC Matching Fuse: $\phi 5.2 \times 20\text{mm}$ Cap Release method: Bayonet type Terminal: Faston #187 Insulation Material (Body): P.B.T.



CONTACT

Plugs & Jacks

Switches

Audio Adaptors

Fuse Holders

USB-C Connectors

Banana, Test Pins & Sockets

Connectors

Binding Posts

Push Terminals

