

6

5

4

3

2

1

D

D

C

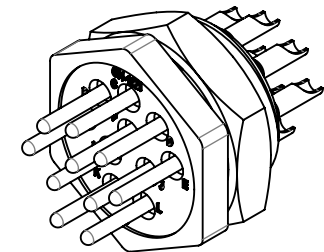
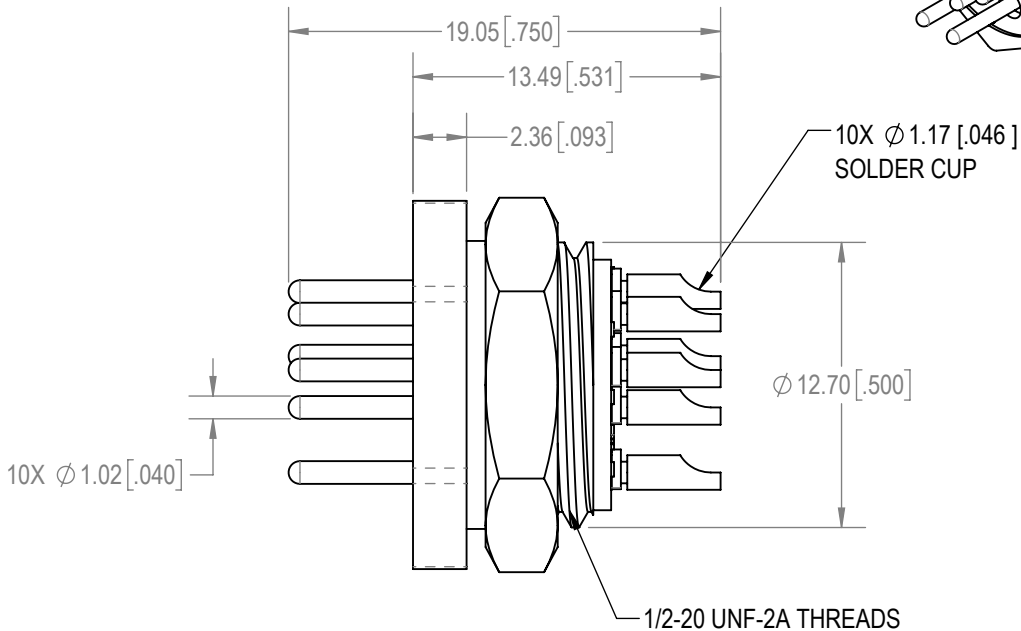
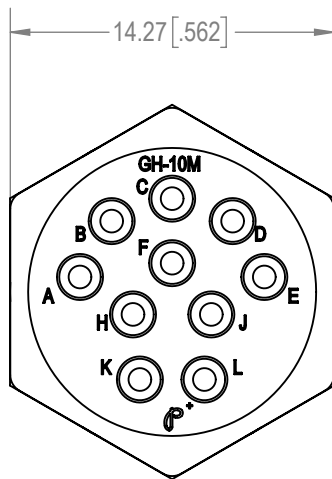
C

B

B

A

A

**NOTES:**

- MATERIAL AND FINISHES:
 INSULATOR: GLASS-FILLED DAP PER ASTM-D5948, TYPE SDG-F, COLOR: GRAY.
 CONTACTS: PRECISION MACHINED COPPER ALLOY, GOLD FLASH OVER NICKEL PLATE.
 SPRING CLIPS: PHOSPHOR BRONZE, GOLD FLASH OVER NICKEL PLATE.
 HEX NUTS: BRASS, ZINC PLATE WITH CHROMATE SEAL
- DETAILED PRODUCT, MECHANICAL AND ELECTRICAL INFORMATION IS AVAILABLE IN THE LATEST CIRCLE HEX PRODUCT PUBLICATION AT CONNECTPOSITRONIC.COM

BY ND	CHK AP	3RD ANGLE 	POSITRONIC BELIEVES THE DATA ON THE DRAWING TO BE RELIABLE. THE USER EMPLOYS SUCH INFORMATION AT HIS OWN DISCRETION AND RISK. POSITRONIC ASSUMES NO RESPONSIBILITY FOR RESULTS OBTAINED OR DAMAGES INCURRED FROM USE OF SUCH INFORMATION IN WHOLE OR IN PART.	
APR AB	RELEASED DATE: 2022-11-30	SCALE NTS		
TOLERANCES ±0.03mm [0.01 INCHES] FOR MALE CONTACT MATING DIAMETERS ±0.08mm [0.003 INCHES] FOR CONTACT TERMINATION DIAMETERS ±0.13mm [0.005 INCHES] FOR ALL OTHER DIAMETERS ±0.38mm [0.015 INCHES] FOR ALL OTHER DIMENSIONS ±5° FOR ALL ANGLES DIMENSION ARE IN MILLIMETERS [INCHES]			PART NUMBER GH10MSCN0	SERIES GH
CREATED ON: 2022-11-30			SHEET SHEET 1 OF 1	REV A
TITLE GH10MSCN0				

6

5

4

3

2

1