

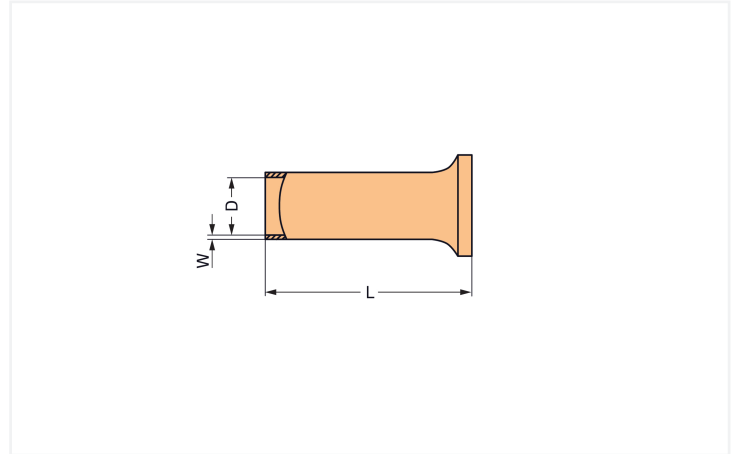
## Data Sheet | Item Number: 216-142

Ferrule; Sleeve for 0.75 mm<sup>2</sup> / 18 AWG; uninsulated; electro-tin plated; electrolytic copper; gastight crimped; acc. to DIN 46228, Part 1/08.92

<https://www.wago.com/216-142>



Similar to illustration



Dimensions in mm

### Connection Data

Metric cross-section of the ferrule	0.75 mm <sup>2</sup>
Strip length	10 mm / 0.39 inches
Cross-section (AWG) of ferrule	18 AWG

### Physical data

Total length	10 mm
Wall thickness of crimp sleeve	0.15 mm
Diameter crimp sleeve inside	1.2 mm

### Mechanical data

Plastic collar	No
----------------	----

### Material data

Fire load	0 MJ
Weight	0.1 g

### Commercial data

Product Group	2 (Terminal Block Accessories)
PU (SPU)	5000 (1000) pcs
Packaging type	Box
Country of origin	DE
GTIN	4044918016360
Customs tariff number	85369010000

### Product Classification

UNSPSC	39121405
eCl@ss 10.0	27-40-02-01
eCl@ss 9.0	27-40-02-01
ETIM 9.0	EC000005
ETIM 10.0	EC000005
ECCN	NO US CLASSIFICATION

### Environmental Product Compliance

RoHS Compliance Status	Compliant, No Exemption
------------------------	-------------------------

### Downloads

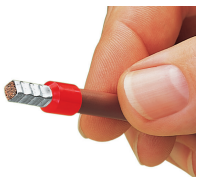
#### Environmental Product Compliance

<b>Compliance Search</b>	
Environmental Product Compliance 216-142	<a href="#">↓</a>

### Documentation

<b>Bid Text</b>			
216-142	19.02.2019	xml 2.87 KB	<a href="#">↓</a>
216-142	13.06.2017	doc 23.00 KB	<a href="#">↓</a>

### Installation Notes



A perfect gas-tight crimp – both electrically and mechanically reliable

Subject to changes. Please also observe the further product documentation!

Current addresses can be found at: [www.wago.com](http://www.wago.com)