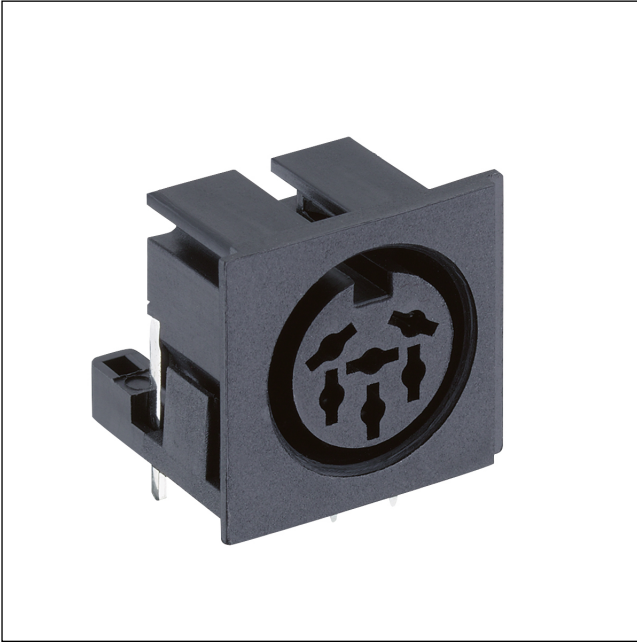


01

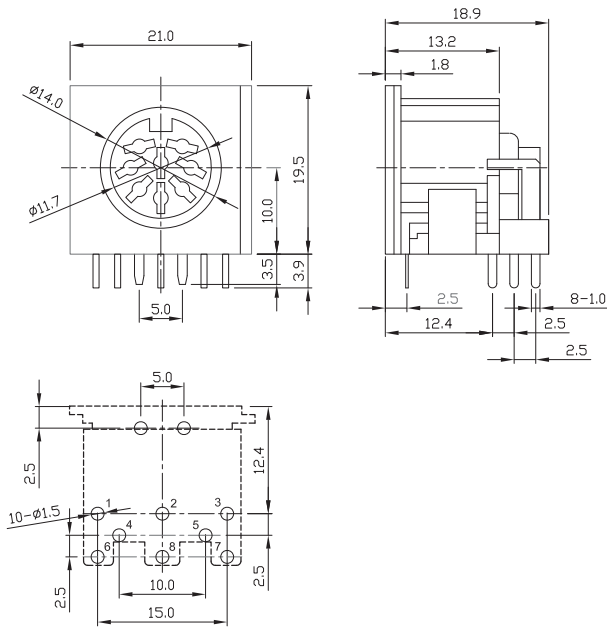
0105

DIN circular connectors



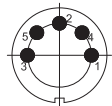
DIN chassis socket, suitable for locking, right angle version, with shielding contact, for printed circuit boards

01 0105



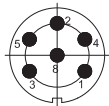
Pin configurations, solder side view

DIN 41524



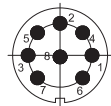
0105 05

DIN 45322



0105 06

DIN 45326



0105 08-1

- *a distance of ground contact pins 5 mm
- *b Printed circuit board layout, solder side view

Environmental conditions

Temperature range -20 °C/+70 °C

Materials

Insulating body PBT, V-0 according to UL94
 Contact spring CuZn, tin-plated
 Shielding contact CuZn, tin-plated
 Cover PBT, V-0 according to UL94

Mechanical data

Mating cycles 5000
 Insertion force 0,49–4,9 N
 Withdrawal force 0,49–4,9 N

Electrical data (at T_{amb} 20 °C)

Contact resistance ≤ 30 mΩ
 Rated current 2 A
 Rated voltage 100 V AC
 Rated impulse voltage 1000 V AC/60 s
 Insulation resistance ≥ 100 MΩ

Associated products

Counterparts
 ☞ 0131 ☞ 0137

01

0105

Designation	Pole Number	PU (Pieces)	MDQ (Pieces)
0105 05	5	100	300
0105 06	6	100	300
0105 08-1	8	100	300

Packaging:
in a tray