

4

3

2

1

THIS DRAWING AND THE SUBJECT MATTER SHOWN THEREON ARE CONFIDENTIAL AND THE PROPERTY OF BEL/STEWART/TRP CONNECTOR AND SHALL NOT BE REPRODUCED, COPIED, OR USED IN ANY MANNER WITHOUT THE WRITTEN CONSENT OF TRP CONNECTOR.

PRODUCT MAY BE PROTECTED BY ONE OR MORE OF THE FOLLOWING US PATENTS:
5736910 5939955 6425781 6428361 6554638 6840817 7123117
7429195 7717749 7808751 6217391 6149050 7924130

REVISIONS

P	LTR	DESCRIPTION	DATE	DWN	APVD
G		EC-1411035, LOGO CHANGE	22DEC2014	JC	TY

1840419-X
YYWWD
CHINA
MagJack® eS/US

0.35

1. MATERIALS

HOUSING: THERMOPLASTIC, BLACK, FLAMMABILITY RATED UL 94V-0

SHIELD: BRASS, 0.20mm THICK,
PREPLATED WITH MIN 0.76um SEMI-BRIGHT NICKEL

POST DIPPED WITH 2.54um MIN SAC SOLDER AT GROUND PINS.

CONTACTS: PHOSPHOR BRONZE, PLATED WITH 1.27um MIN OVERALL NICKEL UNDERPLATE,
SELECTIVE 1.27um MIN GOLD AT MATING INTERFACE AND 2.54um MIN MATTE
TIN ON SOLDER TAILS. OR 1.27um MIN NICKEL UNDERPLATE, WITH 0.05um
GOLD PLATING OVER 0.76um MIN PALLADIUM NICKEL PLATING AT MATING
INTERFACE AND 2.54um MIN MATTE TIN ON SOLDER TAILS.SOLDER TAIL: PHOSPHOR BRONZE,
WITH 1.27um MIN OVERALL NICKEL UNDERPLATE AND
PLATED WITH 2.54um MIN TINLED: DIFFUSED EPOXY LENS, 0.50mm SQUARE CARBON STEEL WIREFRAME LEADS
PREPLATED WITH 2.03um MIN SILVER OVER 1.02um MIN NICKEL
OVER 1.02um MIN COPPER UNDERPLATE POST PLATED WITH 2.54um MIN TIN

2. MAGNETICS

-APPLICATION: 10/100 BASE-T

-IMPEDANCE: 100 OHMS

-TURNS RATIO (CHIP:CABLE): TX = 1:1, RX = 1:1

-OPEN CIRCUIT INDUCTANCE (OCL): 350uH MIN @100kHz, 0.1VRMS,
8mADC BIAS FROM 0°C TO 70°C, TX AND RX

-PERFORMANCE @ 25°C:

INSERTION LOSS (IL): 1.1dB MAX FROM 0.5MHz TO 100MHz

RETURN LOSS (RL): 18dB MIN FROM 0.5MHz TO 30MHz

18-20LOG(f/30)dB MIN FROM 30.1MHz TO 60MHz

12dB MIN FROM 60.1MHz TO 80MHz

CROSSTALK ATTENUATION: 35dB MIN FROM 0.5MHz TO 40MHz

33-20LOG(f/50)dB MIN FROM 40.1MHz TO 100MHz

COMMON MODE REJECTION RATIO (CMRR): 30dB MIN FROM 0.5MHz TO 100MHz

-ISOLATION VOLTAGE: COMPLIES WITH IEEE802.3 2002, PARA 23.5.1.1, ITEM b.

3. THE MAGNETIC ARE SYMMETRICAL AND SUPPORT AUTO-MDIX OPERATION.

4. OPERATING TEMPERATURE: 0 - 70°C

5. LED IS DRIVEN WITH CONSTANT CURRENT AT APPROX 20mA.

DOMINANT WAVELENGTH(λ D)

GREEN 568nm TYP.at IF=20mA

YELLOW 588nm TYP.at IF=20mA

FORWARD VOLTAGE(VF):

GREEN 2.2V TYP.at IF=20mA

YELLOW 2.1V TYP.at IF=20mA

6. ALL DIMENSIONS TO BE NOMINAL UNLESS OTHERWISE NOTED

7. RJ45 CAVITY CONFORMS TO FCC RULES AND REGULATION PART 68 SUBPART F.

LED 2

16.00

LED 1

RJ8

RJ1

16.51

21.59

16.51

4.57

6.60

3.05

6.35

2.54

3.56

3.05

16.50^{+0.25}₀

17.01^{+0.25}₀

1.00

2.03

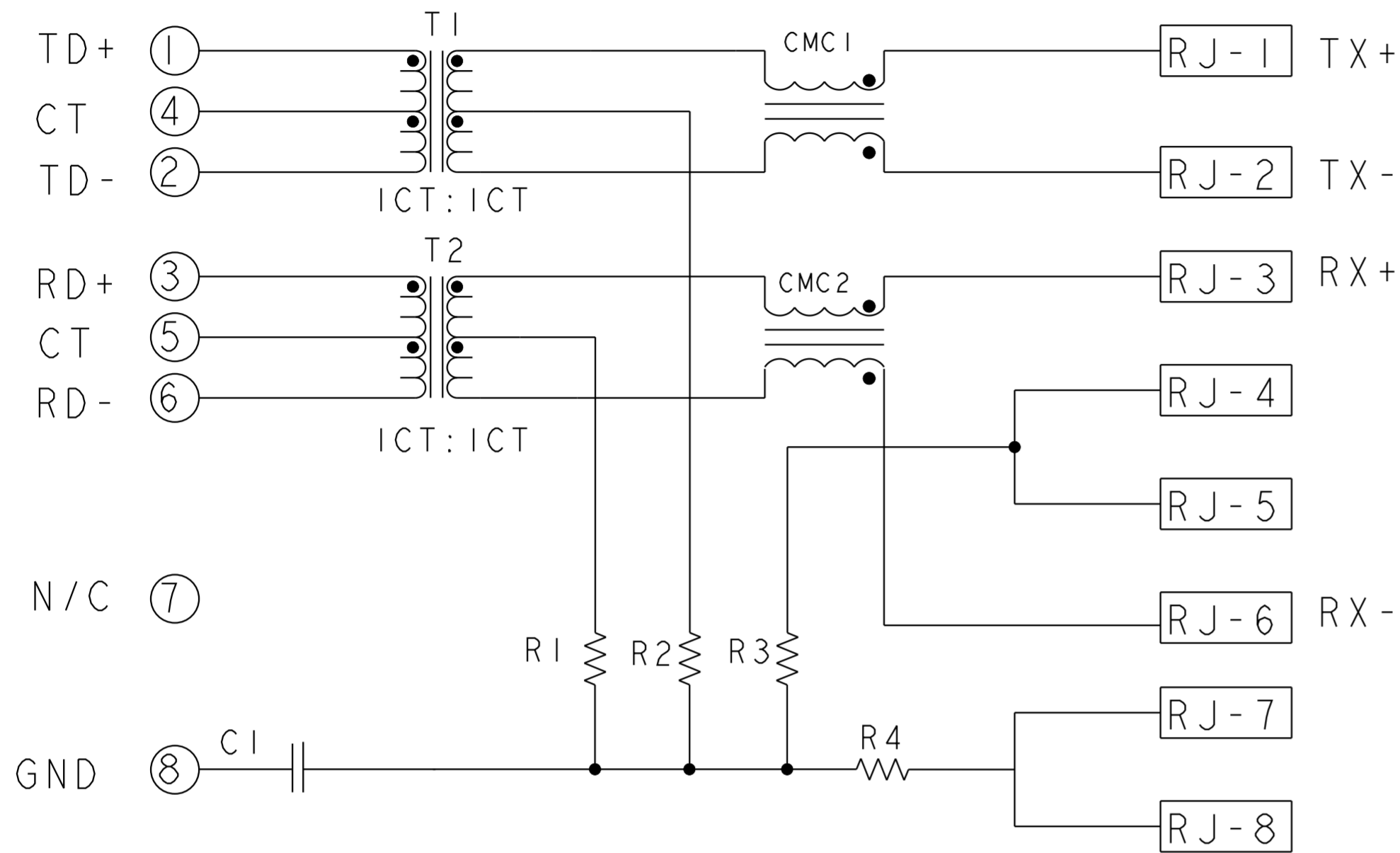
YES	YELLOW	GREEN	1-1840419-3
NO	GRN/YEL	GRN/YEL	1840419-4
NO	YELLOW	GREEN	1840419-3
NO	GREEN	YELLOW	1840419-2
NO	GREEN	GREEN	1840419-1
CUT OUT	LED 1	LED 2	PART NUMBER

THIS DRAWING IS A CONTROLLED DOCUMENT.		DWN TOMMY REN 18AUG2006	trp CONNECTOR a bel group DONGGUAN CHINA	
DIMENSIONS: mm		CHK KEITH ZHU 18AUG2006		
TOLERANCES UNLESS OTHERWISE SPECIFIED:		APVD TEDDY XIONG 18AUG2006		
0 PLC ±0.25 1 PLC ±0.25 2 PLC ±0.25 3 PLC ±0.25 4 PLC ± ANGLES ±°		MODEL NAME MAGJACK	DESC 1X1, MAGJACK, VERTICAL 426P13, 10/100 CIRCUIT, W/ LEDS	RESTRICTED TO
PRODUCT SPEC 108-2100		APPLICATION SPEC -	SIZE A2	CAGE CODE C-1840419
CUSTOMER DRAWING			SCALE 4:1	SHEET 1 OF 2
			REV G	

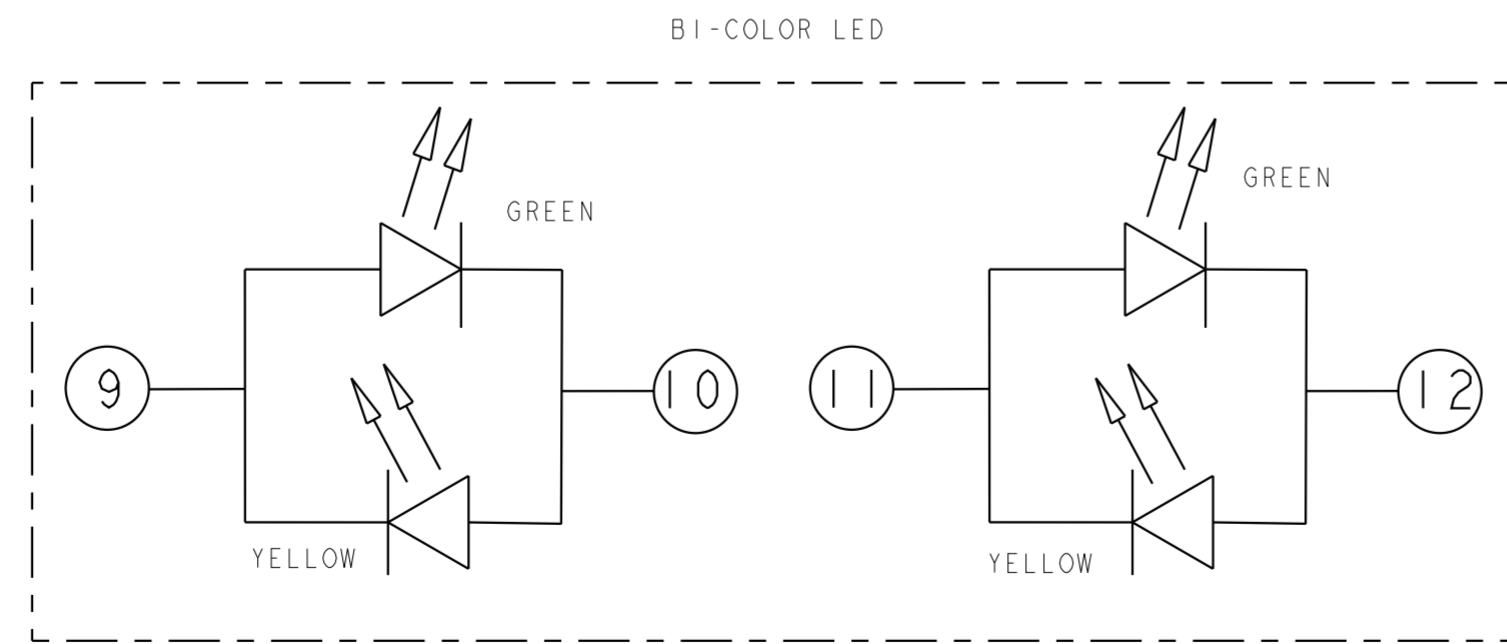
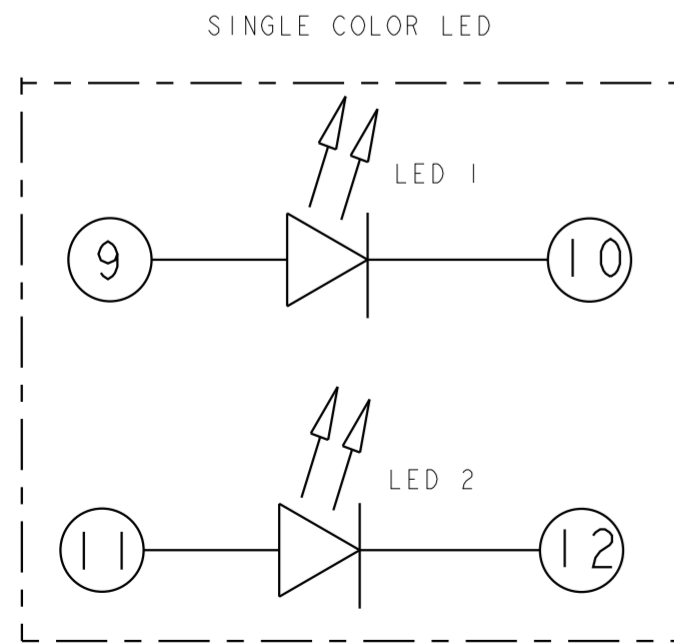
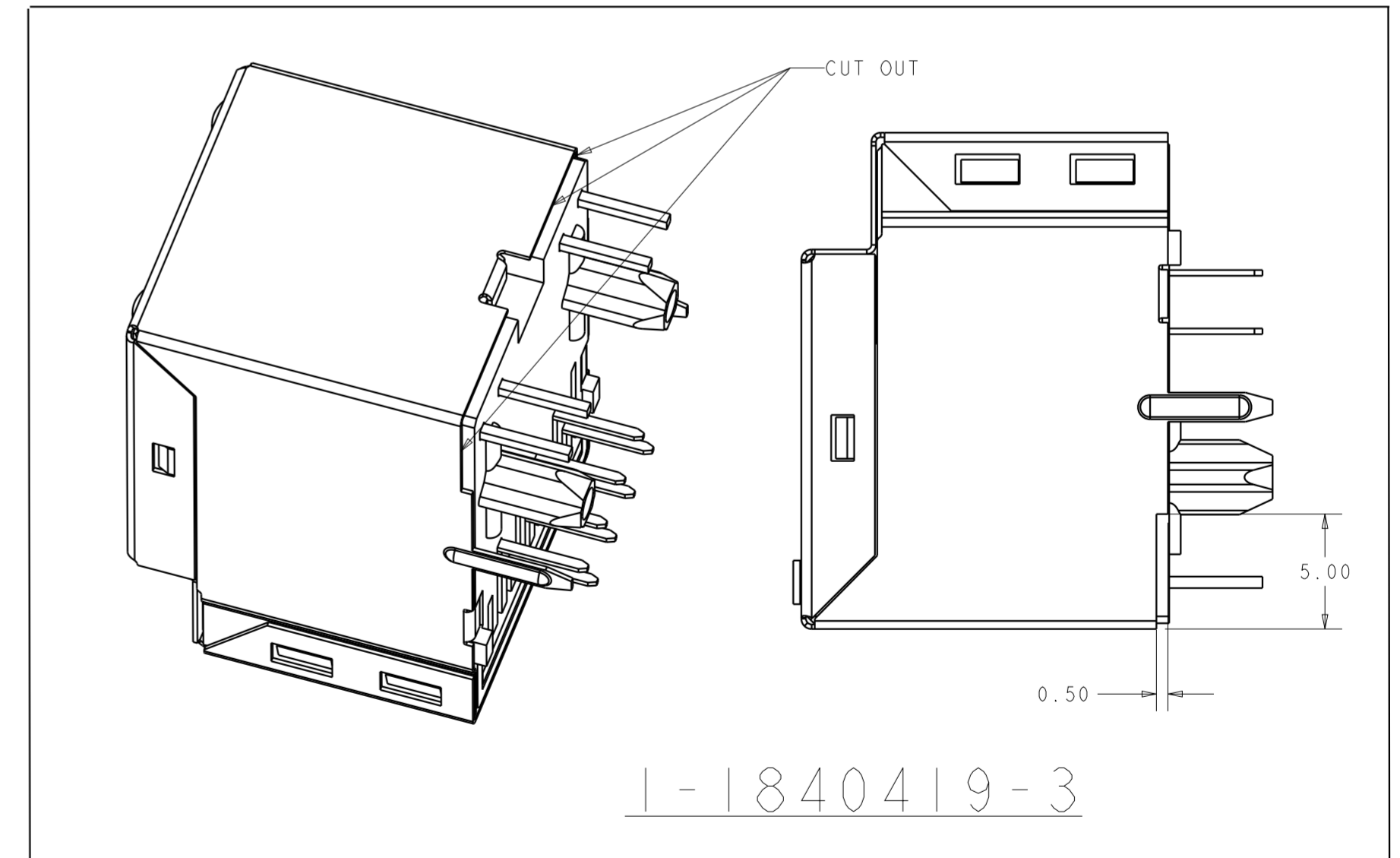
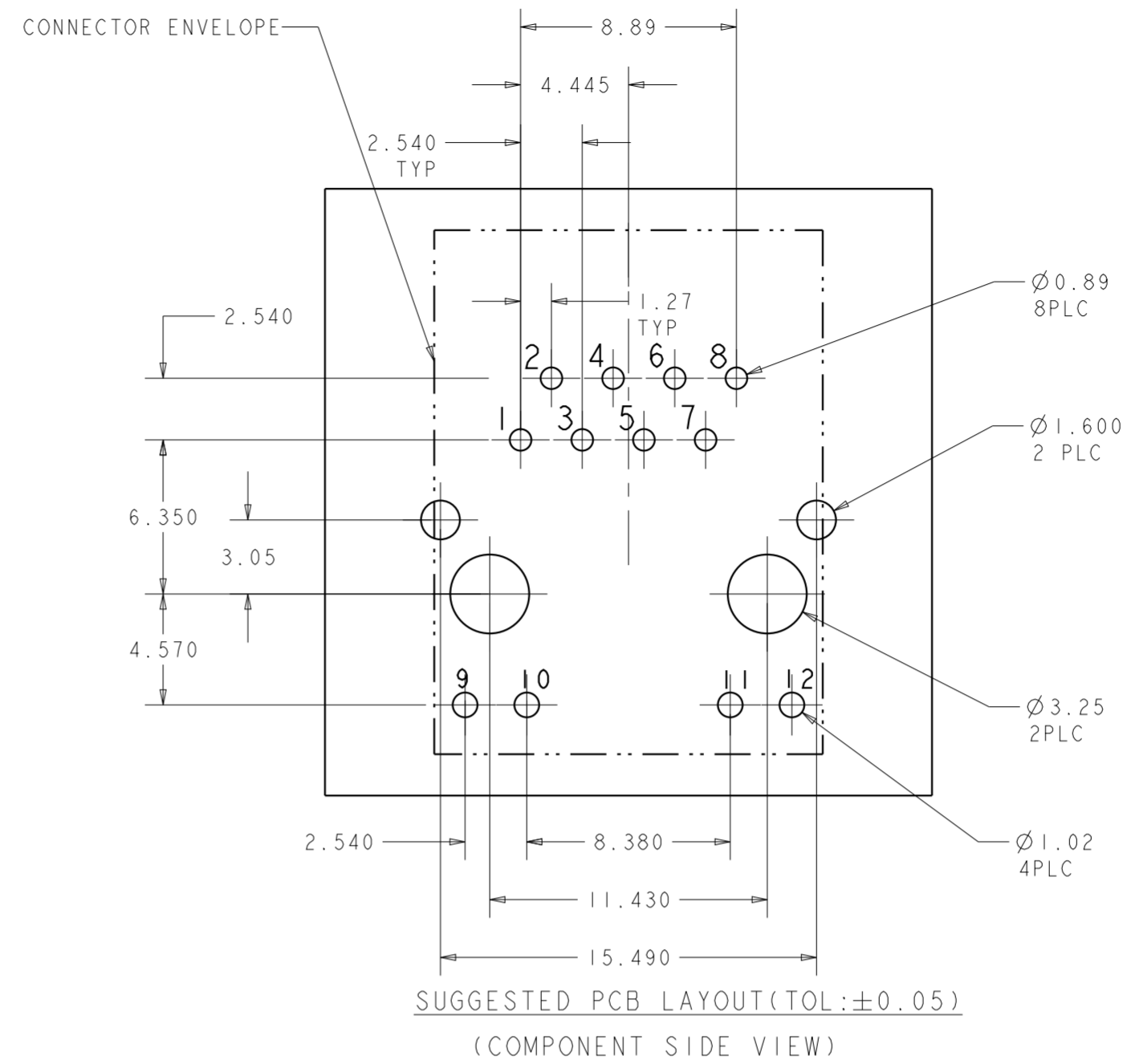
Downloaded from Arrow.com


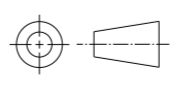
Please read our datasheet & drawing disclaimer here.

426P13 10/100 BASE-T CIRCUIT



C1 = 1000pF, 2KV, CAPACITOR
R1 - R4 = 75 ohms, RESISTOR



THIS DRAWING IS A CONTROLLED DOCUMENT.		DWN TOMMY REN 18AUG2006	 DONGGUAN CHINA
DIMENSIONS: mm		CHK KEITH ZHU 18AUG2006	
		APVD TEDDY XIONG 18AUG2006	
PRODUCT SPEC 108-2100		MODEL NAME MAGJACK SINGLE NON-POE	
TOLERANCES UNLESS OTHERWISE SPECIFIED: 0 PLC ±0.25 1 PLC ±0.25 2 PLC ±0.25 3 PLC ±0.25 4 PLC ± ANGLES ±		DESC 1X1, MAGJACK, VERTICAL 426P13, 10/100 CIRCUIT, W/ LEDS	RESTRICTED TO
APPLICATION SPEC		SIZE A2	CAGE CODE G-1840419
		CUSTOMER DRAWING	
		SCALE 4:1	SHEET 2 OF 2
		REV G	