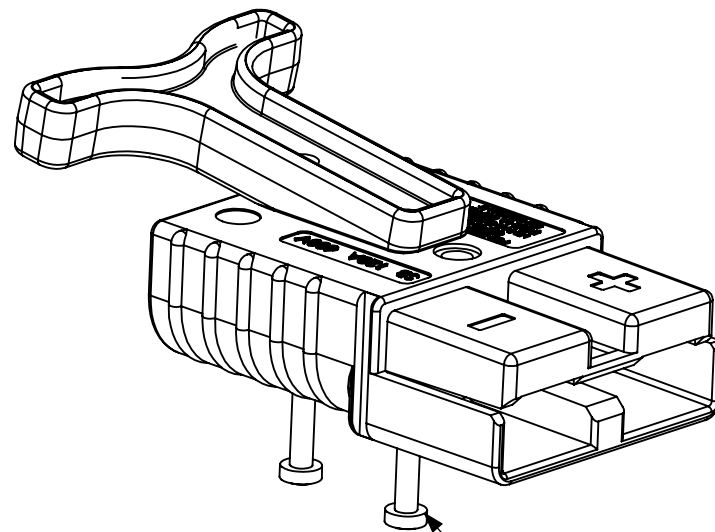
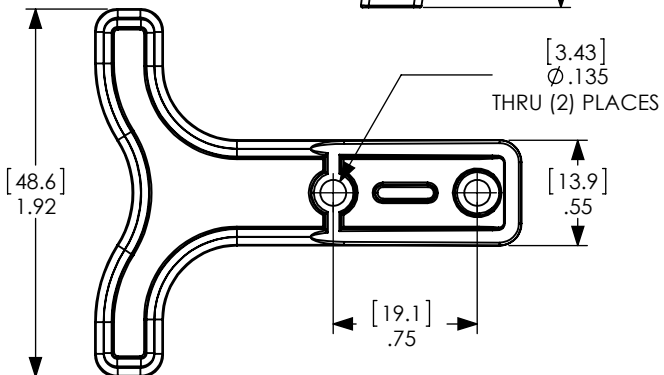
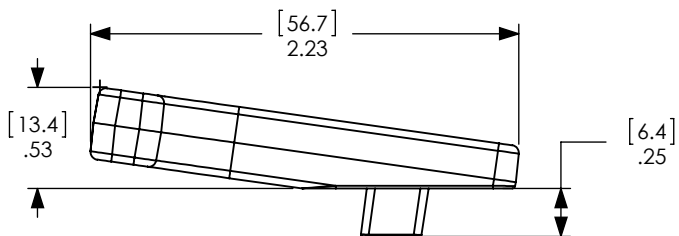
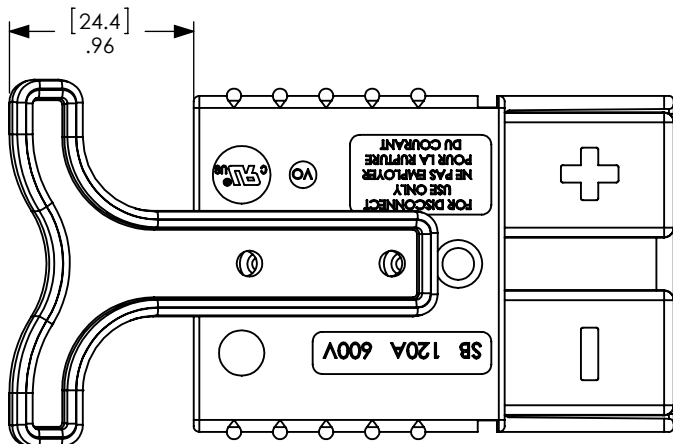


THE INFORMATION CONTAINED IN THIS DRAWING IS THE SOLE PROPERTY OF ANDERSON POWER PRODUCTS. ANY REPRODUCTION IN PART OR WHOLE WITHOUT THE WRITTEN PERMISSION OF ANDERSON POWER PRODUCTS IS PROHIBITED.

Copyright 2002

ANDERSON POWER PRODUCTS RESERVES THE RIGHT TO ALTER PRODUCT TYPES, THEIR TECHNICAL DATA, DIMENSION, STYLE AND ACCESSORIES WITHOUT PRIOR NOTIFICATION.



SELF TAPPING (2)

NOTES:

1. SCREWS: STEEL, ZINC PLATED
2. KIT INCLUDES HANDLE AND TWO SELF TAPPING SCREWS
3. CONNECTOR SOLD SEPARATELY

DIMENSIONS ARE IN:		INCH [MM]		APPROVALS		ANDERSON POWER PRODUCTS	
UNLESS OTHERWISE STATED				DRAWN	CMS	1/25/2002	TITLE CATALOG NUMBER: SB120-HDL-RED SB120 PLASTIC HANDLE
TOLERANCES:				CHECKED	DJD	2/1/2002	
DECIMALS (INCH) .XX ±.02				MFG APPRV	UFN	2/5/2002	
DECIMALS (MM) .X ±.5				QC APPRV	CHB	2/5/2002	
ANGLES ±2°				ENG APPRV	RPO	2/1/2002	SIZE
SURFACE FINISH:				MATERIAL:		DWG NO.	
MACHINED 128µin [3.2µ]				PC		113923S2	
MOLDED 64µin [1.6µ]				FINISH:		REV. 2	
3rd ANGLE PROJECTION				-CAD GENERATED DRAWING- DO NOT MANUALLY UPDATE DO NOT SCALE		SCALE	SHEET
				NONE		CADFILE	1 OF 1
				01575			

REV.	DESCRIPTION	APPRV	DATE
2	ECRN-15046 REVISE AND REDRAW	TWE	1/18/12
1	ECRN-14075 ADD .25 DIM	JA	10/24/06
REVISIONS			