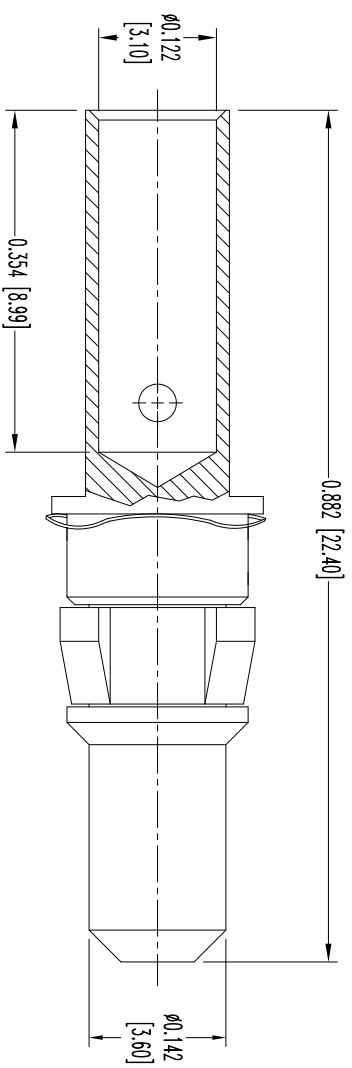



THIS DRAWING CONTAINS INFORMATION PROPRIETARY TO POSITRONIC INDUSTRIES INC. THE DATA ON THIS DRAWING TO BE RELIABLE SINCE THE USER EMPLOYER'S SUCH INFORMATION AT HIS OWN DISCRETION. RESULTS OBTAINED OR DAMAGES INCURRED FROM USE OF SUCH INFORMATION IN WHOLE OR IN PART.

SK11926

DATE	REV	REVISION RECORD	APP	DR	CK
11-10-10	NC	ECO 33283	COLB	ME	COLB
9-15-10	A	ECO 52585	COLB	AC	COLB



- NOTES:
- MATERIALS AND FINISHES:
CONTACT: PRECISION MACHINED COPPER ALLOY, 0.000050 [1.27µ] GOLD OVER NICKEL FINISH.
RETENTION RING: POLYETHERIMIDE, COLOR BLACK.
SPRING WASHER: BERYLLIUM COPPER, 0.000050 [1.27µ] GOLD OVER NICKEL FINISH.
 - DETAILED PRODUCT, ELECTRICAL, AND MECHANICAL INFORMATION IS AVAILABLE IN THE LATEST STANDARD DENSITY COMBO-D PRODUCT PUBLICATION.
VISIT CONNECTPOSITRONIC.COM/PRODUCTS/1/STANDARDENSITYCOMBO-D
OR CONNECTPOSITRONIC.COM.
 - DIMENSIONS ARE IN INCHES [MILLIMETERS].

 POSITRONIC INDUSTRIES INC. www.connectpositronic.com		CBD SERIES		SCALE	DRAWN BY	FSCM 28198
		N.T.S.		ME	APPROVED BY	COLB
DECIMAL TOL. ± 0.015 [0.38]		TITLE MC4010D-15		DATE	DRAWING NUMBER	REV.
ANGULAR TOL. $\pm 5^\circ$		11-10-10		SK11926		A