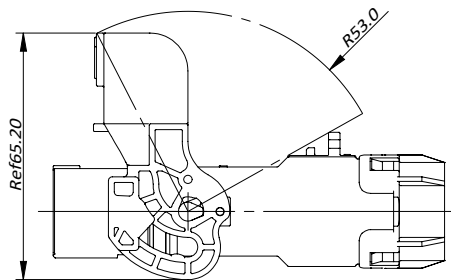
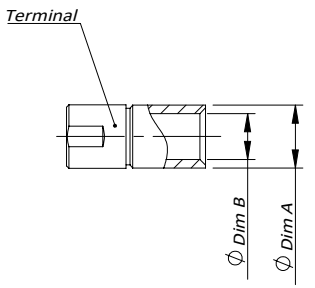
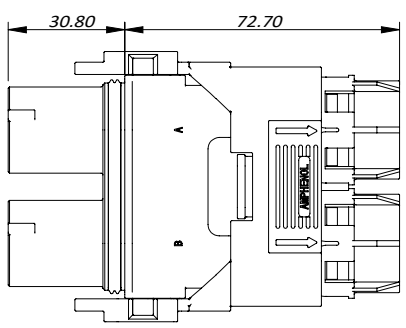
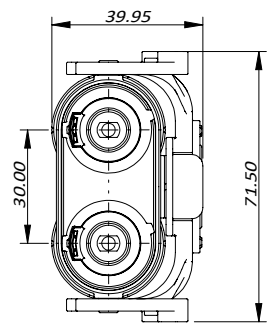
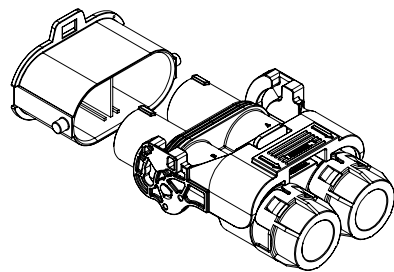


THIS DRAWING IS SUPPLIED FOR INFORMATION ONLY. DESIGN FEATURES, SPECIFICATIONS AND PERFORMANCE DATA SHOWN HEREON ARE THE PROPERTY OF THE AMPHENOL CORPORATION. NO RIGHTS OF REPRODUCTION ARE IMPLIED. ALL DIMENSIONS ARE SUBJECT TO NORMAL MANUFACTURING VARIATIONS.

# CUSTOMER DRAWING



REVISIONS					
REV#	ECN#	REVISION ACTION	REV.BY:	APPR.BY:	DATE
A	--	INITIAL RELEASE	JX	JL	03/09/2020
B	--	Add new parts and Key U/V	Star	James	10/13/2020
C	--	Add Protection Cap And KeyW/T	Star	JL	03/04/2021
D	--	Change the temperature of technical points	Star	JL	12/03/2021
E	--	Change operating temperature, voltage	JS	JL	08/09/2022
F	--	Change specification parameters	Hogan	JL	03/21/2023

## 订购信息 Ordering Information

PL182 X - 30 1 - 70 - 2 -5

<b>Key and Color</b> "X", Orange "Y", Black "U", Yellow "V", Green "W", Red "T", Blue	<b>HVIL</b> "0", NO HVIL "1", With HVIL	<b>Cable Size</b> "70"=70mm <sup>2</sup> "50"=50mm <sup>2</sup>	<b>Cable Type:</b> "-5", Huber+Suhner
---	---	---	--

### 规格参数 (Spec.):

1. 工作温度 Operating temperature : -40°C ~ +125°C. △ E
2. 带高压互锁 Electrical interlock (HVIL).
3. 额定电流 Current rating:  
Power: 50mm<sup>2</sup>, 200A; 70mm<sup>2</sup>, 250A; HVIL: 5A.
4. 额定电压 Operating voltage:  
Power: 1500 VDC; Signal: 60 VDC.
5. 耐电压 Dielectric withstanding voltage:
  - A. 与插座对插后, Pin与铁壳之间  
When mated, between pin and metal shell: 8000 VDC.
  - B. 与插座对插后, Pin与HVIL之间  
When mated, between pin and HVIL: 8000 VDC.
  - C. 与插座对插后, HVIL与铁壳之间  
When mated, between HVIL and metal shell: 500 VDC.
  - D. 与插座对插前, 两个HVIL端子之间耐压  
Before mating, between two HVIL terminals: 500 VDC.
6. 防护等级 Protection class: Mated-IP6k9k & IP67, unmated-IP2X.
7. 电磁屏蔽 360° full Shielding.
8. 机械寿命 Mating cycle: 100 Min.
9. 带CPA的摇杆系统 Latch system with CPA.
10. 绝缘材料满足UL94 V-0 The insulation material meets the requirements of UL94V-0. △ F
11. 镀灰锌/锌镍合金, 满足500H中性盐雾实验  
Gray Zinc/Nickel(ZnNi) Plating. Rated at 500hours salt spray.
12. 产品满足RoHS和REACH要求. Parts must be RoHS and reach compliant. ▽
13. 绝缘体为140°RTI材料. The insulators are 140° RTI material. △ E

### Standard Part List:

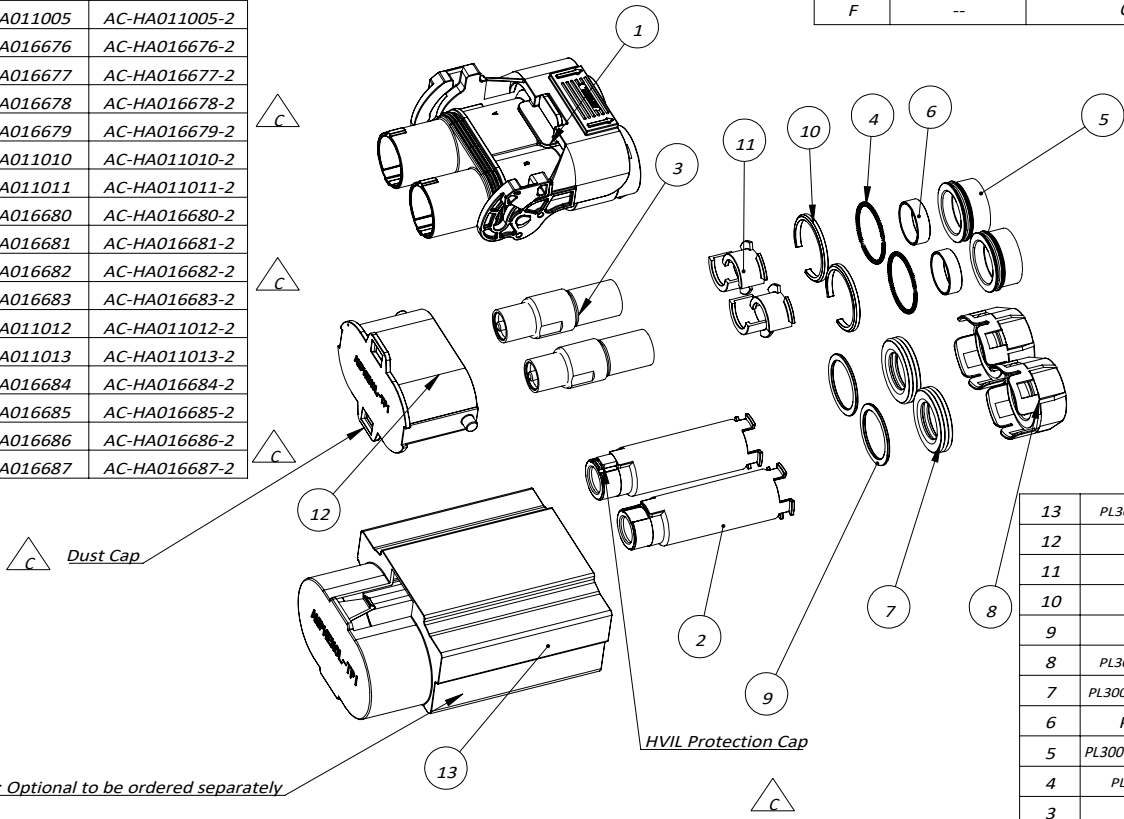
Model No.	H+S Part No.	Dia. Primary Insulation(mm)	Dia. of Screen max. (mm)	Overall-Dia. Nominal(mm)	Outside-Dia. of terminal(mm): "A"	Inside-Dia. of terminal(mm): "B"
PL182(X)-30X-70-2-5	84100298	13.7±0.3	14.6	17.0±0.3	16.7±0.3	12.2±0.3
PL182(X)-30X-50-2-5	84096257	11.5±0.3	12.6	14.9±0.3	14.0±0.3	10.0±0.3

## Amphenol Technical Products International Asia.

	第三角投影 THIRD ANGLE PROJECTION	页面 SHEET	幅面 SIZE	版次 REV.	比例 SCALE	<b>PART NAME:</b>  PL300 G2 2POS Straight Plug	
	1 OF 2	A4	F	-			
签名 SIGNATURE	日期 DATE	UNLESS OTHERWISE SPECIFIED 1) All dimensions are in metric(mm). 2) Tolerances are as follows: 1.PL DEC ± 1.00 2.PL DEC ± 0.50 3.PL DEC ± 0.20			Angles ±1°	<b>DWG NO:</b>  PL182X-30X-XX-2-5  <b>CUST PART #</b>	
制图 DRAWN	Hogan	03/21/2023					<b>CUST REV.</b>
Key Characteristics Contact	Amphenol for Latest Definition	Critical 关键特性	Significant 重要性				
批准 APPROVAL							

THIS DRAWING IS SUPPLIED FOR INFORMATION ONLY. DESIGN FEATURES, SPECIFICATIONS AND PERFORMANCE DATA SHOWN HEREON ARE THE PROPERTY OF THE AMPHENOL CORPORATION. NO RIGHTS OF REPRODUCTION ARE IMPLIED. ALL DIMENSIONS ARE SUBJECT TO NORMAL MANUFACTURING VARIATIONS.

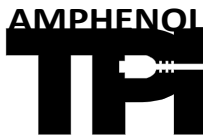
1	2	3	4	5	6	7	8	
型号 Model	Kit Package P/N	Bulk Package P/N	REVISIONS					
PL182X-300-50-2-5	AC-HA011002	AC-HA011002-2	REV#					DATE
PL182Y-300-50-2-5	AC-HA011003	AC-HA011003-2	A					03/09/2020
PL182U-300-50-2-5	AC-HA016672	AC-HA016672-2	B					10/13/2020
PL182V-300-50-2-5	AC-HA016673	AC-HA016673-2	C					03/04/2021
PL182W-300-50-2-5	AC-HA016674	AC-HA016674-2	D					12/03/2021
PL182T-300-50-2-5	AC-HA016675	AC-HA016675-2	E					08/09/2022
PL182X-300-70-2-5	AC-HA011004	AC-HA011004-2	F					03/21/2023
PL182Y-300-70-2-5	AC-HA011005	AC-HA011005-2						
PL182U-300-70-2-5	AC-HA016676	AC-HA016676-2						
PL182V-300-70-2-5	AC-HA016677	AC-HA016677-2						
PL182W-300-70-2-5	AC-HA016678	AC-HA016678-2						
PL182T-300-70-2-5	AC-HA016679	AC-HA016679-2						
PL182X-301-50-2-5	AC-HA011010	AC-HA011010-2						
PL182Y-301-50-2-5	AC-HA011011	AC-HA011011-2						
PL182U-301-50-2-5	AC-HA016680	AC-HA016680-2						
PL182V-301-50-2-5	AC-HA016681	AC-HA016681-2						
PL182W-301-50-2-5	AC-HA016682	AC-HA016682-2						
PL182T-301-50-2-5	AC-HA016683	AC-HA016683-2						
PL182X-301-70-2-5	AC-HA011012	AC-HA011012-2						
PL182Y-301-70-2-5	AC-HA011013	AC-HA011013-2						
PL182U-301-70-2-5	AC-HA016684	AC-HA016684-2						
PL182V-301-70-2-5	AC-HA016685	AC-HA016685-2						
PL182W-301-70-2-5	AC-HA016686	AC-HA016686-2						
PL182T-301-70-2-5	AC-HA016687	AC-HA016687-2						



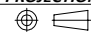
Note: Optional to be ordered separately

ITEM	DESCRIPTION	QTY	REMARK
13	PL300 G2 2 POS plug protection cap	1	Order P/N AC-CP001616
12	PL300 G2 Dust Cap for Plug	1	
11	PL300 G2 Lock Housing1	4	Different P/N are used according to different Cable sizes
10	PL300 G2 Lock Housing2	2	
9	PL300 G2 Metal Gasket	2	Different P/N are used according to different Cable sizes
8	PL300 G2 Tail Cap for straight plug	2	Different P/N are used according to different Cable sizes
7	PL300 G2 cable sealing for straight plug	2	Different P/N are used according to different Cable sizes
6	PL300 G2 Inner Copper Ring	2	Different P/N are used according to different Cable sizes
5	PL300 G2 Outer Copper Ring for Straight Plug	2	
4	PL300 G2 Coil Spring for Straight Plug	2	Different P/N are used according to different Cable sizes
3	PL300 G2 Terminal Assy	2	
2	PL300 G2 Insulation Sleeve Assy	2	
1	PL300 G2 Shell Plug Assy	1	Different P/N are used according to different Cable sizes
ITEM	DESCRIPTION	QTY	REMARK

MATERIALS LIST



**Amphenol Technical Products International Asia.**

第三角投影 THIRD ANGLE PROJECTION	页面 SHEET	幅面 SIZE	版次 REV.	比例 SCALE	PART NAME: <b>PL300 G2 2POS Straight Plug</b>	
	2 OF 2	A4	F	--	DWG NO: <b>PL182X-30X-XX-2-5</b>	
签名 SIGNATURE		日期 DATE		UNLESS OTHERWISE SPECIFIED 1) All dimensions are in metric(mm). 2) Tolerances are as follows: 1.PL DEC ± 1.00 2.PL DEC ± 0.50 3.PL DEC ± 0.20		
制图 DRAWN		审核 CHECKED		批准 APPROVAL		

Key Characteristics Critical 关键特性

Amphenol for Latest Definition Significant 重要特性

Angles ±1°