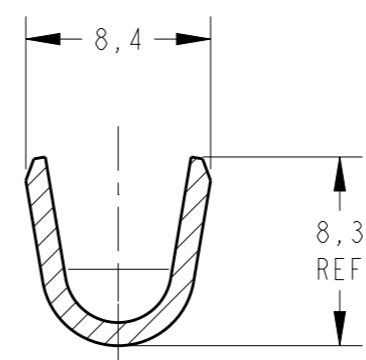
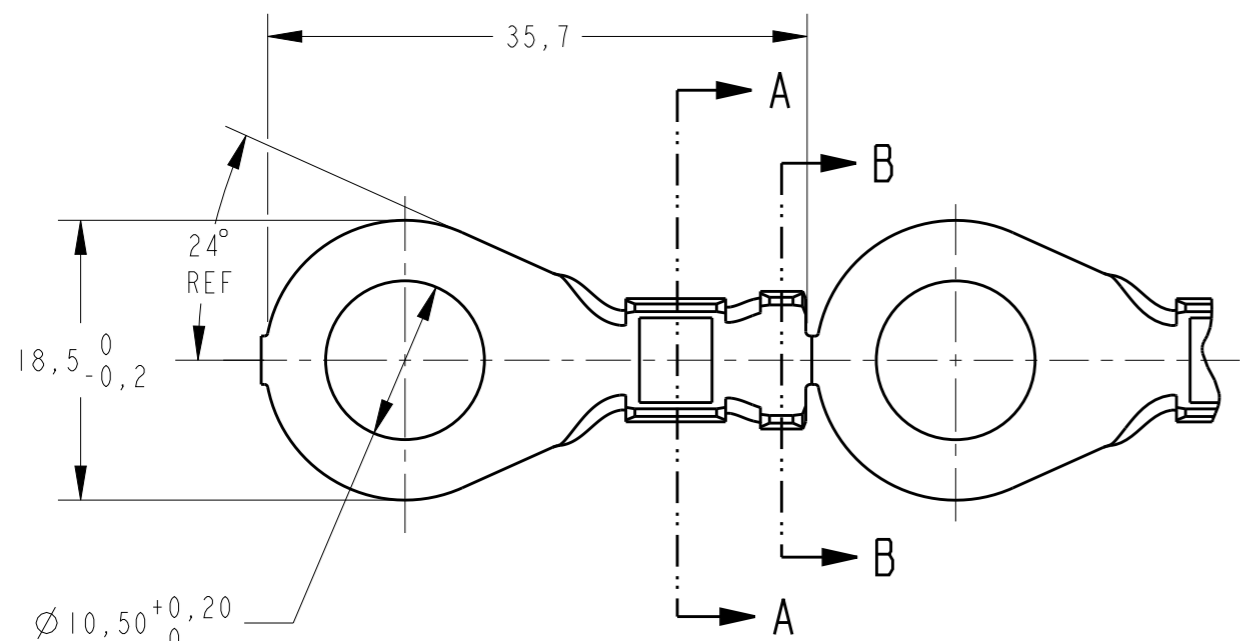


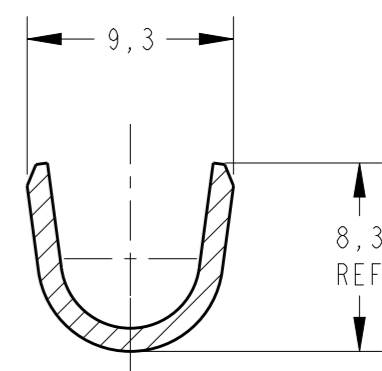
creo  
Creo Parametric 2.0  
DO NOT REVERSE  
EXCEPT BY CAD

REVISIONS

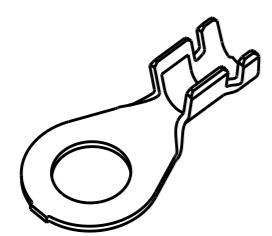
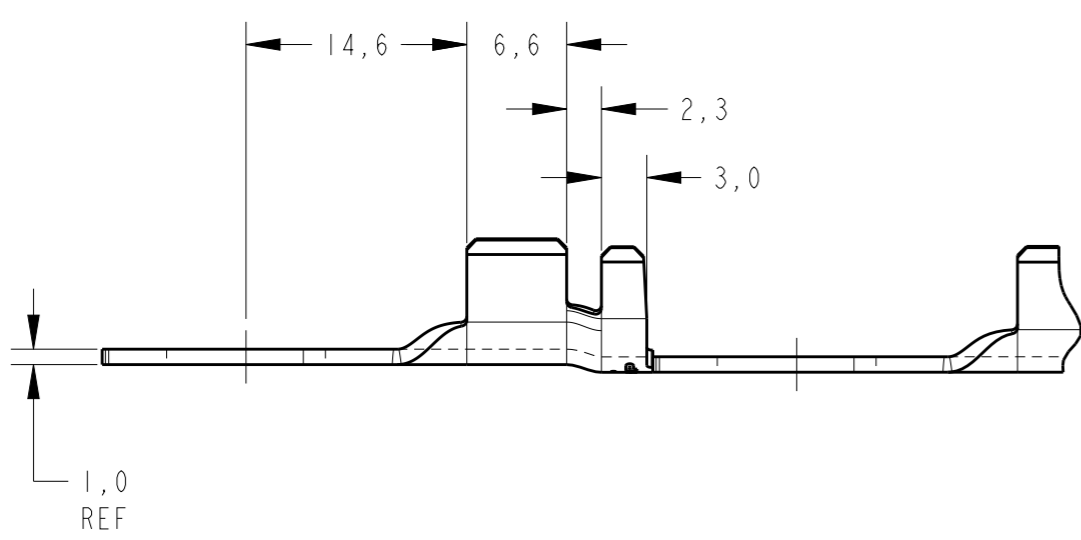
P	LTR	DESCRIPTION	DATE	DWN	APVD
	C	REDRAW BY CAD ECO-14-013530	08SEP2014	NCL	LWP



SECTION A-A  
SCALE 3:1




SECTION B-B  
SCALE 3:1



PERSPECTIVE VIEW  
SCALE 1:1

SL D101-26	ESTANHADO / TIN	LATÃO / BRASS	881003-2
---	---	LATÃO / BRASS	881003-1
FORD PN	FINISH	MATERIAL	PART NUMBER

THIS DRAWING IS A CONTROLLED DOCUMENT.		DWN NCLAPRESA 11DEC2012	 TE Connectivity NAME - RING TONGUE -					
DIMENSIONS: mm		CHK JRGOLDSCHMIDT 11DEC2012						
TOLERANCES UNLESS OTHERWISE SPECIFIED:		APVD DAOLIVEIRA 11DEC2012						
0 PLC ±- 1 PLC ±0,3 2 PLC ±- 3 PLC ±- 4 PLC ±- ANGLES ±1°		PRODUCT SPEC -						
MATERIAL SEE TABLE	FINISH SEE TABLE	APPLICATION SPEC -	SIZE A3	CAGE CODE 00779	DRAWING NO C-881003	RESTRICTED TO -		
WIRE RANGE 6,0-10,0mm <sup>2</sup>		INSUL. RANGE Ø 4,6-6,6mm		Customer Drawing		SCALE 2:1	SHEET 1 OF 1	REV C