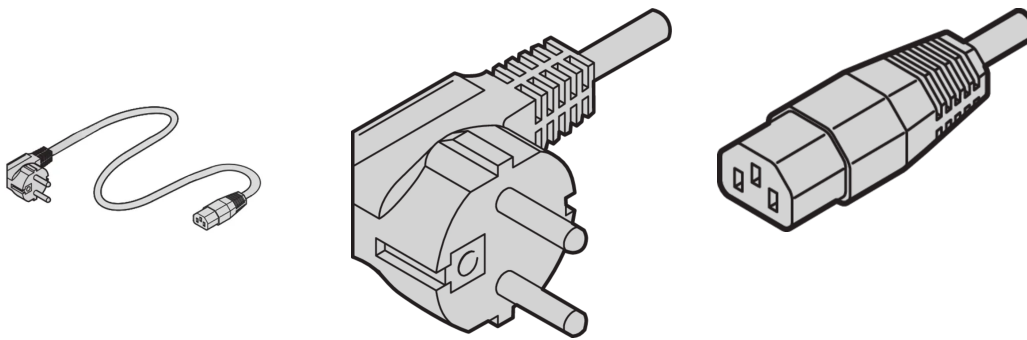


# Mains Cable, SCHUKO/UTE to IEC C13, 2.5 m, Grey

## CATALOG NUMBER

**60103-131**



nVent SCHROFF Mains cable provides practical, universal fastening with variable attachment facilities. They are general in nature and fit in to different applications like Fans, cabinet lights, etc., Industrial PC connections, Uninterruptible power supplies, Systems.

## CERTIFICATIONS



## FEATURES

Applications: Fans, cabinet lights, Industrial PC connections, Uninterruptible power supplies and Systems

## PRODUCT ATTRIBUTES

Input Connector: SCHUKO / UTE

Output Connector: IEC C13

Package Quantity: 1

Color: Grey

Connector Type: Straight

Material: PVC

Product Type: Cable

Net Weight: 0.27kg

## WARNING

nVent products shall be installed and used only as indicated in nVent's product instruction sheets and training materials. Instruction sheets are available at [www.nvent.com](http://www.nvent.com) and from your nVent customer service representative. Improper installation, misuse, misapplication or other failure to completely follow nVent's instructions and warnings may cause product malfunction, property damage, serious bodily injury and death and/or void your warranty.

### North America

All locations  
+1.763.422.2661  
Chat with us:  
[nvent.com/schroff](http://nvent.com/schroff)

### Europe

Straubenhardt, Germany  
+49.7082.794.0  
Betschdorf, France  
+33.3.88.90.64.90  
Warsaw, Poland  
+48.22.209.98.35  
Assago, Italy  
+39.02.932.7141  
Chat with us:  
[nvent.com/schroff](http://nvent.com/schroff)

### Asia

Shanghai, China  
+86.21.2412.6943  
Qingdao, China  
+86.532.8771.6101  
Singapore  
+65.6768.5800  
Shin-Yokohama, Japan  
+81.45.476.0271  
Chat with us:  
[nvent.com/schroff](http://nvent.com/schroff)

### Middle East & India

Dubai, United Arab  
Emirates  
+971.4.378.1700  
Bangalore, India  
+91.80.6715.2001  
Istanbul, Turkey  
+90.216.250.7374  
Chat with us:  
[nvent.com/schroff](http://nvent.com/schroff)



Our powerful portfolio of brands:

**CADDY ERICO HOFFMAN ILSCO SCHROFF TRACHTE**