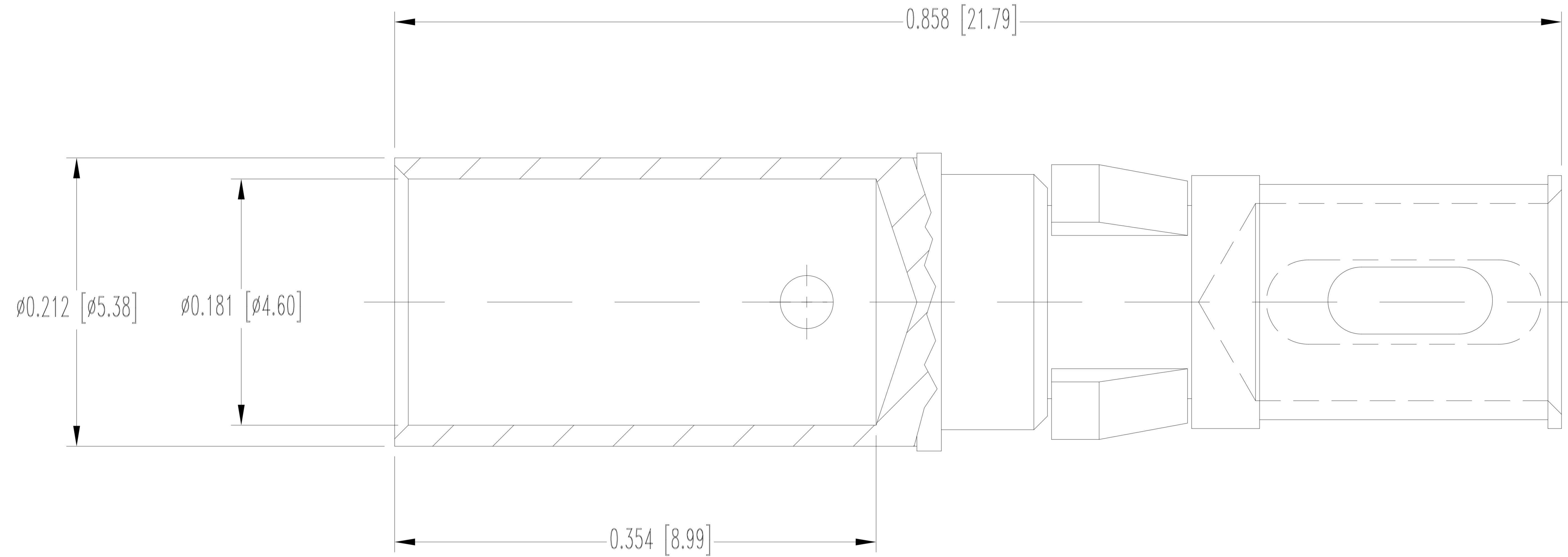


THIS DRAWING CONTAINS INFORMATION PROPRIETARY TO POSITRONIC AND IT'S SUBSIDIARIES. POSITRONIC BELIEVES THE DATA ON THIS DRAWING TO BE RELIABLE, SINCE THE TECHNICAL INFORMATION IS GIVEN FREE OF CHARGE, THE USER EMPLOYS SUCH INFORMATION AT HIS OWN DISCRETION AND RISK. POSITRONIC ASSUMES NO RESPONSIBILITY FOR RESULTS OBTAINED OR DAMAGES INCURRED FROM USE OF SUCH INFORMATION IN WHOLE OR IN PART.

SK6912

DATE	REV	REVISION RECORD	APP	DR	CK
08-13 19	D	ECO 68856	RK	ND	PY



NOTES:

- MATERIALS AND FINISHES:  
 CONTACT: PRECISION MACHINED COPPER ALLOY, GOLD FLASH OVER NICKEL.  
 SPRING CLIP: BERYLLIUM COPPER, GOLD FLASH OVER NICKEL PLATE.  
 RETENTION RING: POLYETHERIMIDE, COLOR BLACK.
- DETAILED PRODUCT, MECHANICAL AND ELECTRICAL INFORMATION IS AVAILABLE IN THE LATEST STANDARD DENSITY COMBO-D PRODUCT PUBLICATION AT CONNECTPOSITRONIC.COM.
- CONNECTORS ARE COMPLIANT TO THE CURRENT RoHS DIRECTIVES.
- DIMENSIONS ARE IN INCHES [MILLIMETERS].

	<b>POSITRONIC INDUSTRIES INC.</b> SPRINGFIELD, MISSOURI 65801		SCALE <b>N.T.S.</b>	DRAWN BY <b>YK</b>
	CBD SERIES		APPROVED BY <b>RW</b>	TITLE <b>FC4008D/AA</b>
DECIMAL TOL. $\pm 0.015$ [0.38]	DATE <b>12-30-05</b>	DRAWING NUMBER <b>SK6912</b>	REV. <b>D</b>	
ANGULAR TOL. $\pm 5^\circ$				