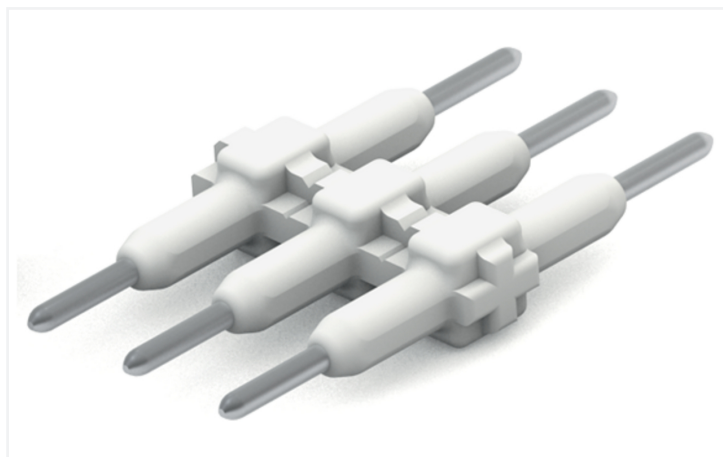


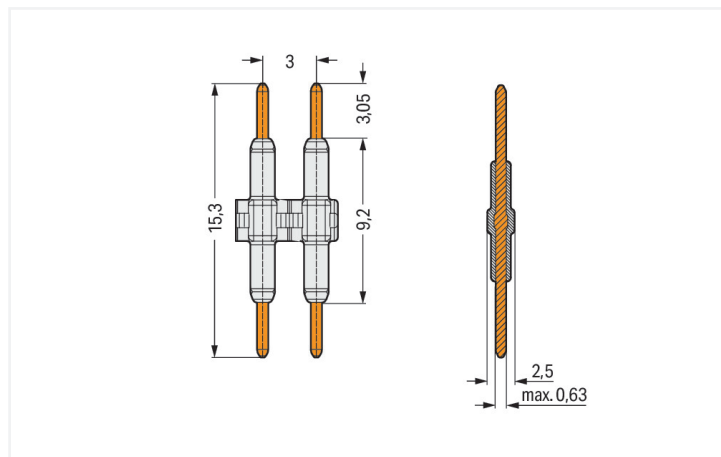
Data Sheet | Item Number: 2059-903

Board-to-Board Link; Pin spacing 3 mm; 3-pole; Length: 15.3 mm; white

<https://www.wago.com/2059-903>



Color: ■ white



Dimensions in mm

- Board-to-board links simplify in-line assembly of LED modules
- Easy push-in connection and disconnection

Electrical data

| Ratings per | IEC/EN 60664-1 | | |
|---------------------------------|----------------|--------|--------|
| Overvoltage category | III | III | II |
| Pollution degree | 3 | 2 | 2 |
| Nominal voltage | 63 V | 160 V | 320 V |
| Rated impulse withstand voltage | 2.5 kV | 2.5 kV | 2.5 kV |
| Rated current | 3 A | 3 A | 3 A |

Connection Data

| | |
|----------------------------|---|
| Total number of potentials | 3 |
|----------------------------|---|

| Connection 1 | |
|--------------|---|
| Pole number | 3 |

Physical data

| | |
|-------------|------------------------|
| Pin spacing | 3 mm / 0.118 inches |
| Width | 8.7 mm / 0.343 inches |
| Height | 2.5 mm / 0.098 inches |
| Depth | 15.3 mm / 0.602 inches |

Mechanical data

| | |
|-------------------------|---|
| Mating cycles (max.) | 10 |
| Number of mating cycles | 10 connections/disconnections (max.) |
| Suitable | for SMD PCB terminal blocks (2059 Series) |

Material data

| | |
|------------------------------------|--|
| Note (material data) | Information on material specifications can be found here |
| Color | white |
| Material group | I |
| Insulation material (main housing) | Polyamide (PA66) |
| Flammability class per UL94 | V0 |
| Contact material | Copper alloy |
| Contact Plating | Silver |
| Fire load | 0.002 MJ |
| Weight | 0.2 g |

Environmental requirements

| | |
|---|---|
| Limit temperature range | -60 ... +105 °C |
| Environmental Testing | |
| Test specification: Railway applications – Rolling stock – Electronic equipment | DIN EN 50155 (VDE 0115-200):2022-06 |
| Test procedure: Railway applications – Rolling stock equipment – Vibration and shock tests | DIN EN 61373 (VDE 0115-0106):2011-04 |
| Spectrum/Mounting location | Service life test, Category 1, Class A/B |
| Functional test with noise-like oscillations | Test passed according to Section 8 of the standard |
| Frequency | $f_1 = 5 \text{ Hz}$ to $f_2 = 150 \text{ Hz}$ |
| Acceleration | 0.101g (highest test level used for all axes) |
| Test duration per axis | 10 min. |
| Test directions | X, Y and Z axes |
| Monitoring of contact faults and interruptions | Passed |
| Voltage drop measurement before and after each axis | Passed |
| Simulated service life test through increased levels of noise-like oscillations | Test passed according to Section 9 of the standard |
| Frequency | $f_1 = 5 \text{ Hz}$ to $f_2 = 150 \text{ Hz}$ |
| Acceleration | 0.572g (highest test level used for all axes) |
| Test duration per axis | 5 h |
| Test directions | X, Y and Z axes |
| Extended testing: Monitoring of contact faults and interruptions | Passed |
| Extended testing: Voltage drop measurement before and after each axis | Passed |
| Shock test | Test passed according to Section 10 of the standard |
| Shock pulse form | Half sine |
| Acceleration | 5g (highest test level used for all axes) |
| Shock duration | 30 ms |
| Number of shocks (per axis) | 3 pos. und 3 neg. |
| Test directions | X, Y and Z axes |
| Extended testing: Monitoring of contact faults and interruptions | Passed |
| Extended testing: Voltage drop measurement before and after each axis | Passed |

Environmental Testing

Vibration and shock stress for rolling stock equipment Passed

Commercial data

| | |
|-----------------------|---------------|
| PU (SPU) | 375 pcs |
| Packaging type | Box |
| Country of origin | CN |
| GTIN | 4055143610063 |
| Customs tariff number | 85369010000 |

Product Classification

| | |
|-------------|----------------------|
| UNSPSC | 39121409 |
| eCl@ss 10.0 | 27-14-11-92 |
| eCl@ss 9.0 | 27-14-11-92 |
| ETIM 9.0 | EC002848 |
| ETIM 10.0 | EC002848 |
| ECCN | NO US CLASSIFICATION |

Environmental Product Compliance

| | |
|------------------------|-------------------------|
| RoHS Compliance Status | Compliant, No Exemption |
|------------------------|-------------------------|

Approvals / Certificates

General approvals



| Approval | Standard | Certificate Name |
|---|--------------|------------------|
| CCA DEKRA Certification B.V. | EN 60947-7-4 | NTR NL-7819 |
| CCA DEKRA Certification B.V. | EN 60947-7-4 | 71-111131 |
| CCA DEKRA Certification B.V. | EN 60838 | NTR NL-7720 |
| cURus Underwriters Laboratories Inc. | UL 1059 | E45172 |
| KEMA/KEUR DEKRA Certification B.V. | EN 60838 | 71-106226 |
| UL Underwriters Laboratories Inc. | UL 1977 | E45171 |

Declarations of conformity and manufacturer's declarations



| Approval | Standard | Certificate Name |
|-------------------------------|----------|------------------|
| Railway WAGO GmbH & Co. KG | - | Z00004395.000 |

Downloads

Environmental Product Compliance

Compliance Search

Environmental Product
Compliance 2059-903



Documentation

Additional Information

Technical Section

03.04.2019

pdf
2027.26 KB



CAD/CAE-Data

CAD data

2D/3D Models 2059-903



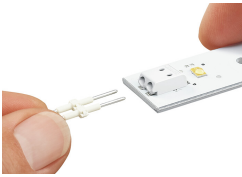
CAE data

ZUKEN Portal 2059-903

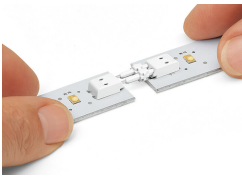


Installation Notes

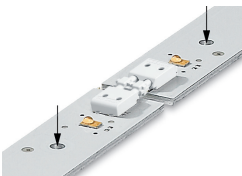
Installation



Installation



Installation



Subject to changes. Please also observe the further product documentation!

Current addresses can be found at: www.wago.com