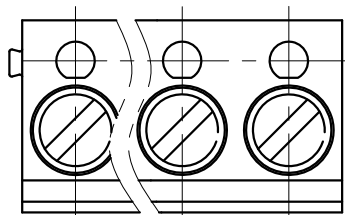


REVISION RECORD				
REV	ECN	DESCRIPTION	DRFT	DATE

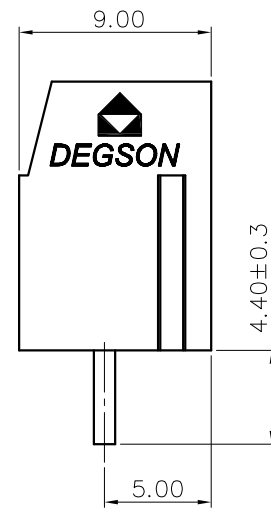
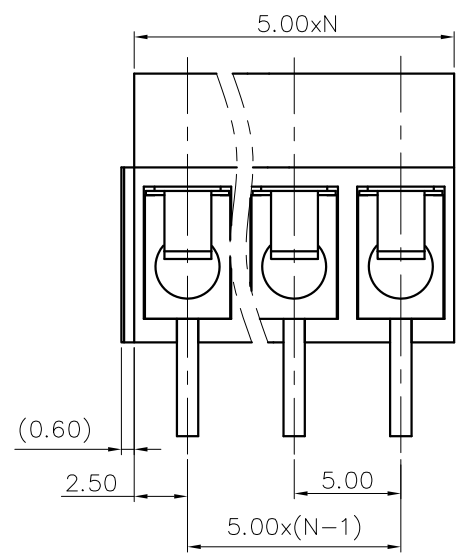
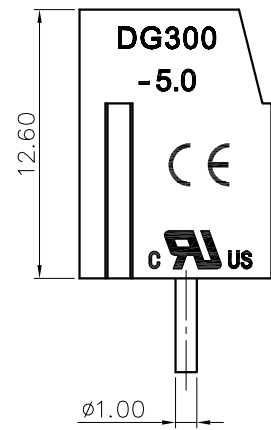


NOTES1:  
 UL Standard  
 1. Rated Voltage/Current : 300V / 10A  
 2. Torque Value : M3 , 2.6Lb.in  
 3. Wire Range : 22~14AWG  
 IEC Standard  
 1. Rated Voltage/Current : 250V / 24A  
 2. Torque Value : M3 , 0.29N.m  
 3. Wire Range : 2.5mm<sup>2</sup>

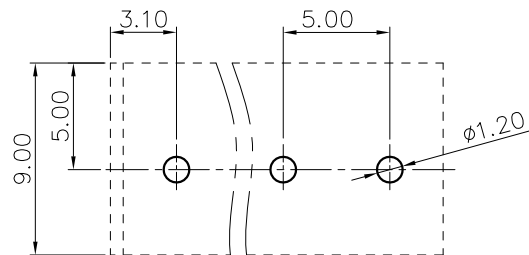
NOTES2:  
 1. Dimension shall be interpreted per ASME Y14.5-2009  
 2. Pitch : 5.0mm, Poles : N=02~24P  
 3. Stripping length : 5~6mm  
 4. Withstanding Voltage : AC2000V/1Min.  
 5. Operating temperature : -30°C~+120°C  
 6. Undimensioned Tolerances:

Pitch Range In mm		Nominal Dimension Range In mm				Tolerances	
TO	Over TO	TO	Over TO	TO	Over TO	0.1/10	±
6	10	30	60	100	150	<	±2*
±0.15	±0.20	±0.30	±0.30	±0.50	±0.70	±1.00	±1.30

7. RoHS Compliance



DG300 - 5.0 - XXP - 1Y - 00A (H)  
 (Series No.) (Pitch) (Poles) (Single Pitch) (Color): 1.(Grey)  
 2.(Blue)  
 3.(Black)  
 4.(Green)  
 5.(Orange)  
 6.(Red)  
 7.(Transparent)  
 8.(Yellow)  
 9.(White)  
 (RoHS)  
 00A-(Standard)



PCB LAYOUT

DETACHED LISTS	PART NO.:	NINGBO DEGSON ELECTRICAL CO., LTD		
	APPD:	NAME: DG300-5.0-XXP-1Y-00A(H)		
	CHKD:	TITLE: CUSTOMER DRAWING		
	DRFT:	DRAWING NO.:		REV
THIRD ANGLE PROJECTION		MM (INCH)	DO NOT SCALE DRAWING	SCALE
				DO
				SHEET
				1/1
				1:1