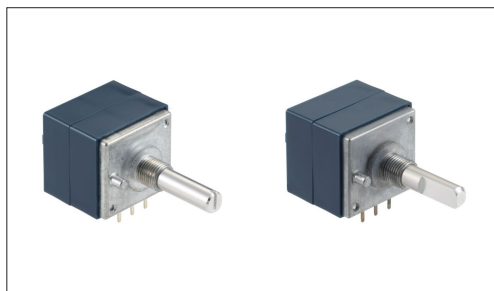


Potentiometers Rotary Potentiometer (Metal shaft type)

27mm Size Metal Shaft Type RK271 Series

High-performance volume with excellent operation feel.



- Total resistance tolerance: $\pm 20\%$
- Maximum operating voltage: 30V AC
- Rotational torque: 8 to 35mN·m
- Operating life: 15,000 cycles
- Operating temperature range: -10°C to $+70^{\circ}\text{C}$

Applications: Audio_TV:Audio

Product List

Products No.	Number of resistor elements	Control part orientation	Shaft types	Length of the shaft (mm)	Detent	Total resistance	Resistance taper	Automotive	Drawing No.
RK2711120026	Single-unit	Horizontal	Slotted	25	31-position	100k Ω	15A	—	1
RK271111001T	Single-unit	Horizontal	Slotted	25	Without	100k Ω	15A	—	
RK27112A00AK	Dual-unit	Horizontal	Slotted	20	Without	100k Ω	15A	—	2
RK27112A00CC	Dual-unit	Horizontal	Slotted	25	Without	100k Ω	15A	—	3
RK27112A0A16	Dual-unit	Horizontal	Flat	20	Without	100k Ω	15A	—	4
RK27112A00B9	Dual-unit	Horizontal	Flat	25	Without	100k Ω	15A	—	5

Note

1. This catalog shows only outline specifications. When using the products, please obtain formal specifications for supply.
2. Please place purchase orders per minimum order unit (integer).
3. Products other than those listed in above products are also available. Please contact us for details.

Packing Specifications

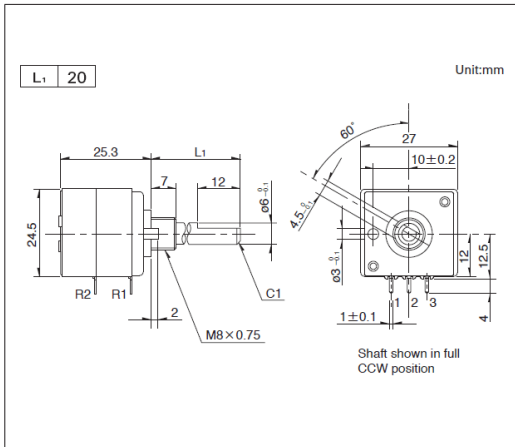
Bulk

Products No.	Number of packages (pcs.)		Export package measurements (mm)
	1 case / Japan	1 case / export packing	
RK2711120026 RK271111001T RK27112A00AK RK27112A0A16	100	500	540 x 380 x 314
RK27112A00CC RK27112A00B9	100	500	510 x 360 x 359

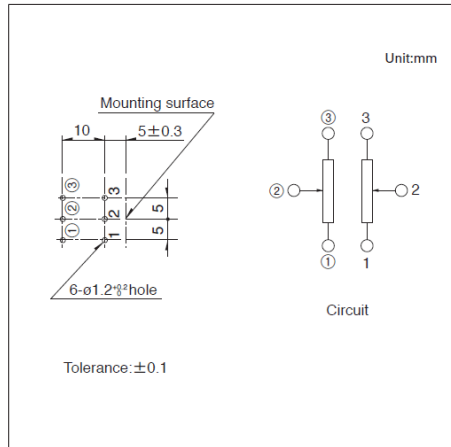
27mm Size Metal Shaft Type
RK271 Series

Drawing No.4

■ Dimensions



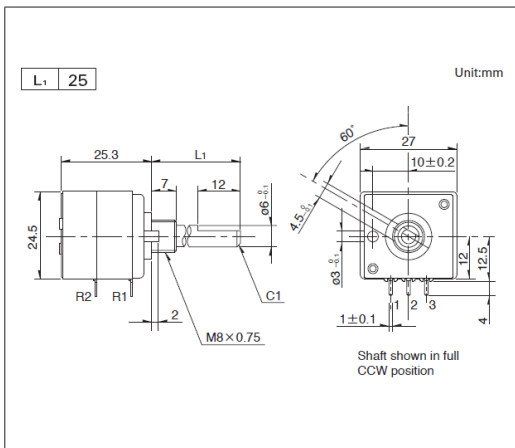
■ Mounting Hole Dimensions



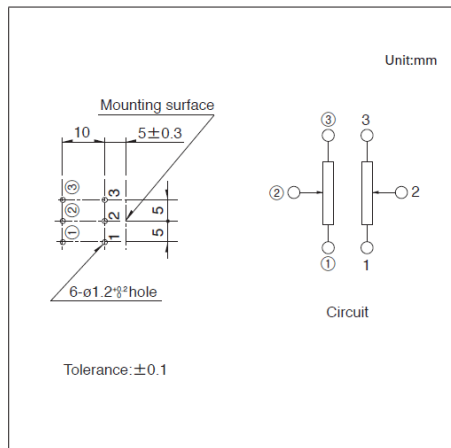
Viewed from mounting side.

Drawing No.5

■ Dimensions



■ Mounting Hole Dimensions



Viewed from mounting side.