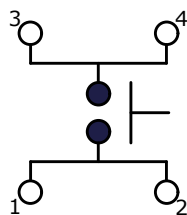
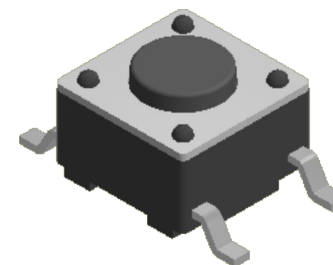
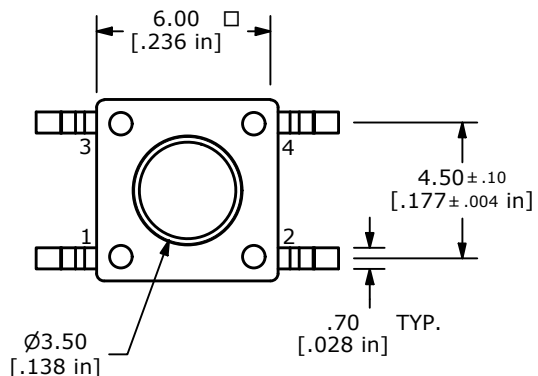
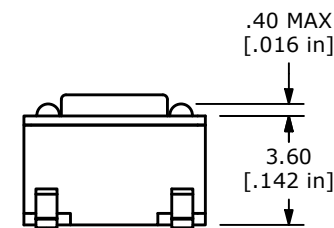
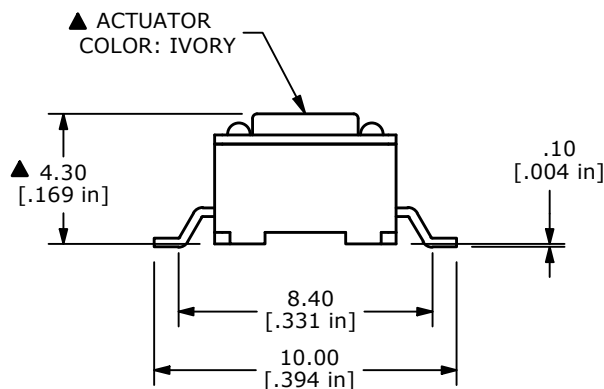


RECOMMENDED PCB LAYOUT



CIRCUIT: SPST



▲ ALL TERMINALS MUST BE COPLANAR WITHIN 0.10 [.004 in]

NOTES:

1. ALL DIMENSIONS IN MM
2. GENERAL TOLERANCE: X.X=±0.4
X.XX=±0.25
3. TERM. NUMBERS FOR REFERENCE ONLY.
4. RATING: 12VDC, 50mA
- ▲ 5. OPERATING FORCE: 260 ± 50 gf
6. TRAVEL: 0.25mm +0.2/-0.1mm
7. CONTACT RESISTANCE: 100 MILLI OHMS MAX. (INITIAL)
8. MECHANICAL/ELECTRICAL LIFE 100,000 CYCLES MIN.
- ▲ 9. CONTACT MATERIAL: SILVER
- ▲ 10. PACKAGE: TAPE AND REEL, 1,200 PIECES PER REEL
11. ▲ DENOTES CRITICAL PARAMETER
12. OPERATING TEMP: -40°C TO 85°C

REV	ECO NO	DESCRIPTION	DATE	BY	E-SWITCH®			OBJECT ID	
H	ECO-103973	NOTE 4 TO 12VDC 50mA	03/06/26	JS	TITLE TL3301NF260QG			000017845	
THE INFORMATION CONTAINED IN THIS DOCUMENT IS PROPRIETARY TO E-SWITCH AND IS NOT TO BE COPIED OR TRANSFERRED					SCALE	DATE	DR	DWG	REV
					4:1	9/25/2012	RC	P010517	H