

Part Number : [194300004](#)

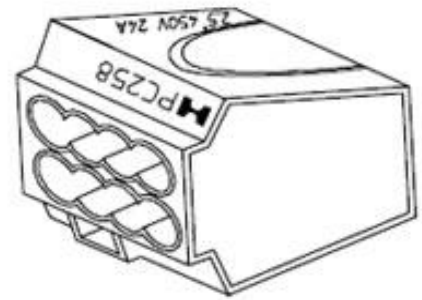
Product Description : See and Splice 5 Circuit Push-in Wire Connector for 22-12 AWG Wire, Carton

Series Number : 19430

Status : Active

Product Category : Splices

Engineering Part Number : PC5-GRAY



Documents and Resources

Drawings

[194300004 sd.pdf](#)

Product Environment Compliance

Compliance

GADSL/IMDS	Not Relevant
China RoHS	Not Relevant
EU ELV	Not Relevant
Low-Halogen Status	Low-Halogen per IEC 61249-2-21
REACH SVHC	Not Contained per D(2025)7771-DC (04 Feb 2026)
EU RoHS	Compliant per EU 2015/863

Compliance Statements

- EU RoHS
- REACH SVHC
- Low-Halogen

Industry Documents

- IPC 1752A Class C
- IPC 1752A Class D
- Molex Product Compliance Declaration
- IEC-62474
- chemSHERPA (xml)

Substances of Interest

- PFAS

Part Details

General

Status	Active
Category	Splices
Series	19430
Description	See and Splice 5 Circuit Push-in Wire Connector for 22-12 AWG Wire, Carton
Comments	Gray Insert, 1000V max. for lighting/sign fixtures
Product Name	See and Splice
Type	See and Splice
UPC	822348218912

Agency

UL	E32244
----	--------

Electrical

Voltage - Maximum	600V
-------------------	------

Physical

Barrel Type	Closed
Color - Resin	Gray
Flammability	94V-2
Insulation	None
Material - Metal	Brass
Material - Plating Mating	N/A
Net Weight	3.557/g
Packaging Type	Carton
Temperature Range - Operating	-30° to +105°C
Wire Insulation Diameter	3.30mm nominal O.D.
Wire Size (AWG)	12, 14, 16, 18, 20, 22

This document was generated on Apr 14, 2026