

# SMPS SERIES

## SMPS Interface at a Glance

SV Microwave offers a complete line of SMPS connectors. The SMPS connector utilizes the same great features of the SMP and SMPM connector series in an even smaller package. The SMPS series is ideal in applications where density is of the utmost importance.

### Electrical Specifications

Impedance	50Ω
Frequency	100 GHz
VSWR	1.10:1 to 26.5 GHz typ.; 1.25:1 to 65 GHz typ.
Insertion Loss	.07 √ f
Shielding Effectiveness	≥ -80 dB typ.
Dielectric Withstanding Voltage	250 VRMS

### Mechanical Specifications

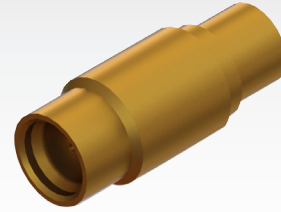
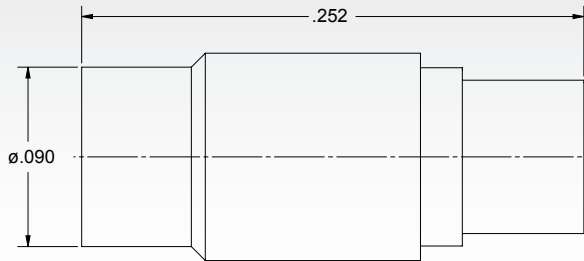
	SB	FD
Mating Cycles	500	100
Force to Engage/Disengage	1.2 / 1.0 lbs	2.5 / 4.5 lbs
Axial Misalignment		.010"
Radial Misalignment		± .010"

### Environmental Specifications

Temperature Rating	-65°C to +165°C
Corrosion (Salt Spray)	MIL-STD-202, Method 101, Condition B
Vibration	MIL-STD-202, Method 204, Condition D, 20 Gs
Shock	MIL-STD-202, Method 213, Condition I, 100 Gs
Thermal Shock	MIL-STD-202, Method 107. Cond. B, -65°C to +165°C
Barometric Pressure (Altitude)	MIL-STD-202, Method 105, Condition C, 70k Ft.

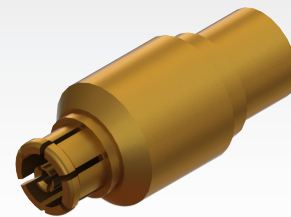
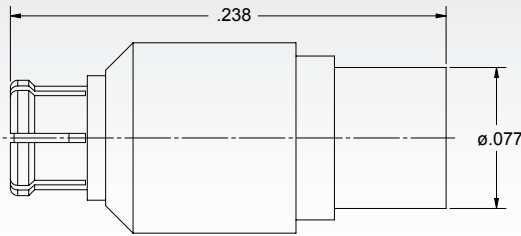
Note: Specifications, dimensions and images are typical for the series and may vary by part number

## Male Cable Connector



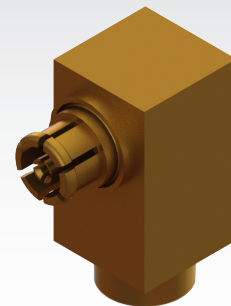
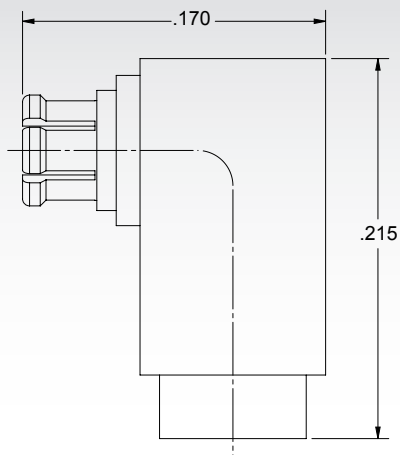
Detent	Cable	P/N
SB	.047	3811-40002
FD	.047	3811-40001

## Female Cable Connector



Cable	P/N
.047	3821-40001

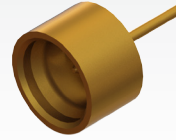
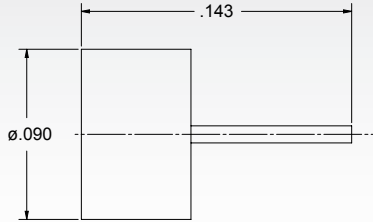
## Female Cable Connector, Swept R/A



Cable	P/N
.047	3822-40001

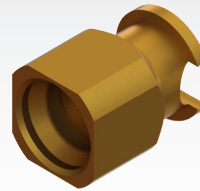
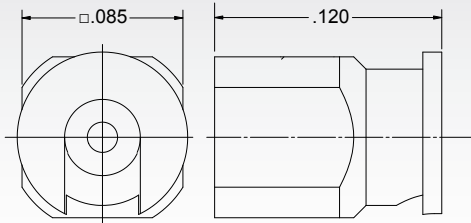
# SMPS SERIES

## Male Solder-In Connector (.009")



Detent	P/N
SB	3811-40005
FD	3811-40006

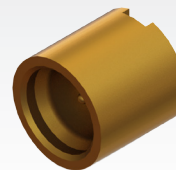
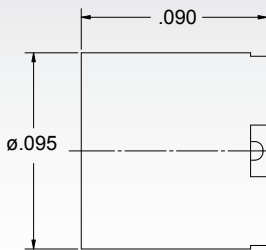
## Male Surface Mount Connector



Detent	P/N
SB	3811-40023
FD	3811-40022

Contact SV directly to access our database of recommended PCB layouts

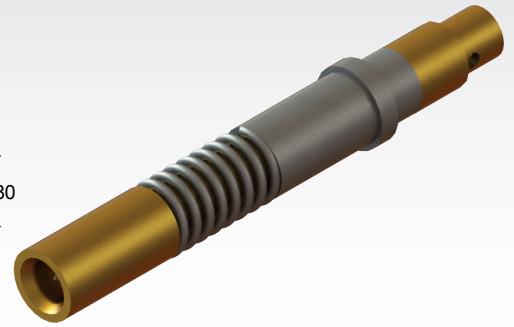
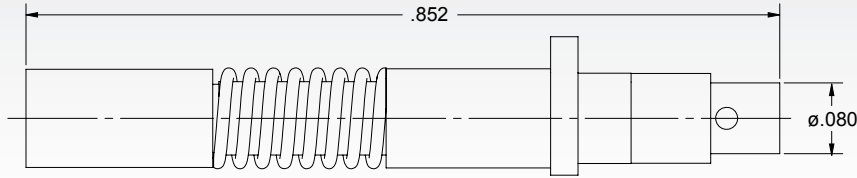
## Male Surface Mount Hermetic Connector (.009")



Detent	P/N
SB	3811-60005
FD	3811-60006

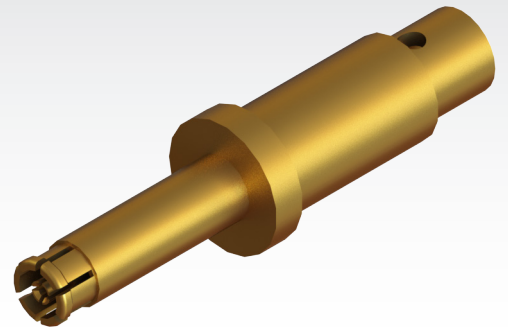
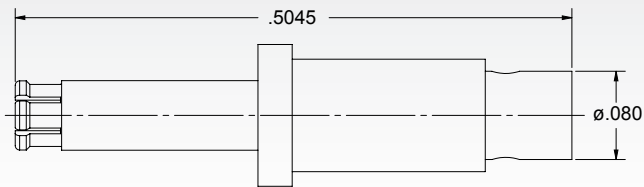
Contact SV directly to access our database of recommended PCB layouts

## Socket D38999 Cable Contact (Size 16)



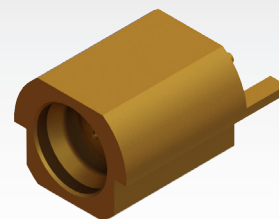
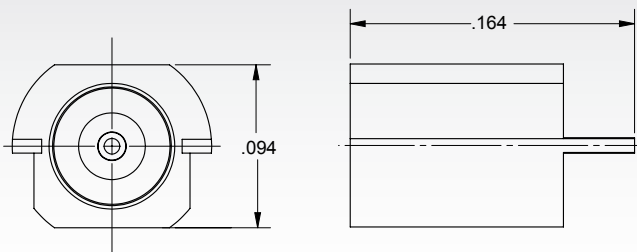
Cable	P/N
.047	SF9911-60001

## Pin D38999 Cable Contact (Size 16)



Cable	P/N
.047	9921-40001

## Male Edge Launch Connector

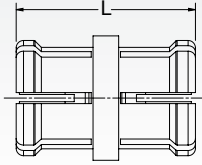


Detent	P/N
SB	3811-40004
FD	3811-40003

Contact SV directly to access our database of recommended PCB layouts

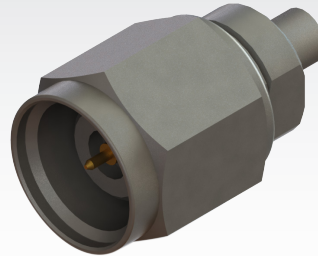
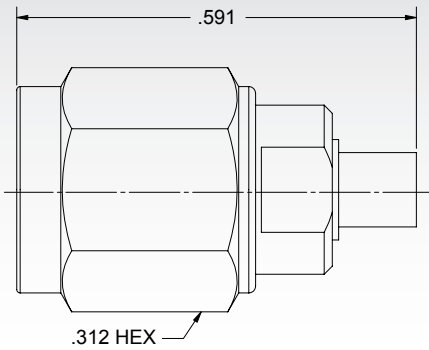
# SMPS SERIES

## Female to Female Bullet



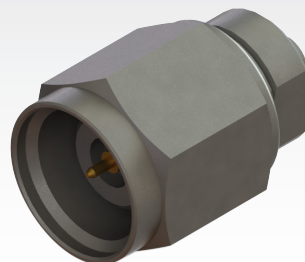
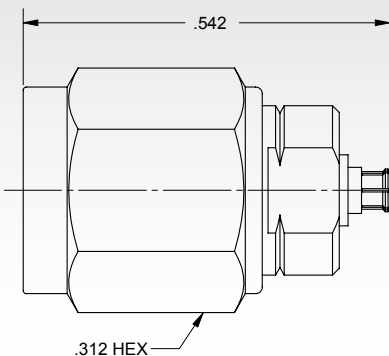
P/N	L
1138-4001	.098"
1138-4002	.118"
1138-4003	.134"
1138-4004	.188"

## SMPS Male to 2.4mm Male Adapter



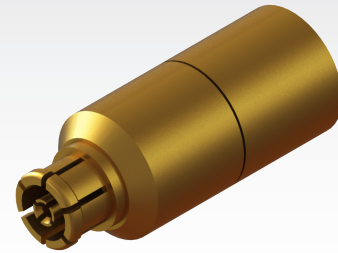
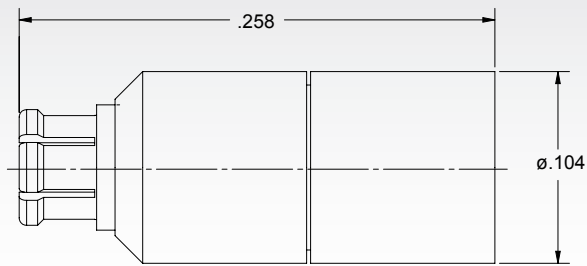
Detent	P/N
SB	SF1116-6023
FD	SF1116-6024

## SMPS Female to 2.4mm Male Adapter



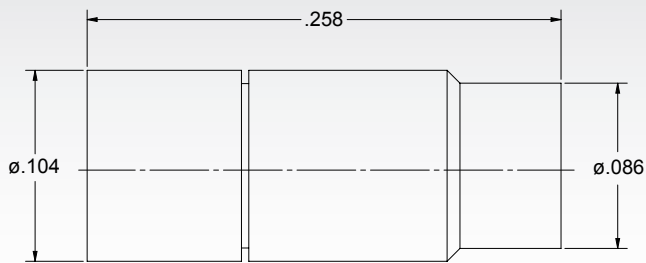
P/N
SF1116-6025

## Female Termination



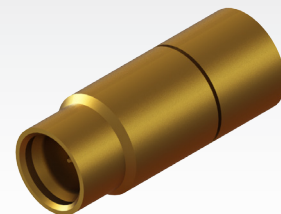
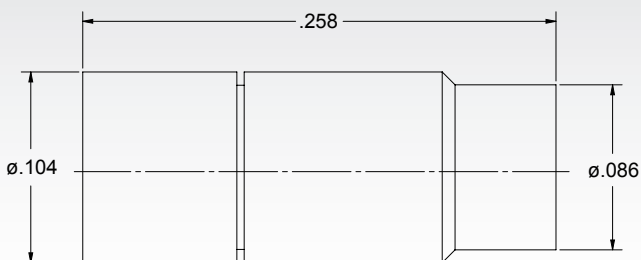
P/N
8038-4001

## Male Termination



Detent	P/N
SB	8038-6003
FD	8038-6004

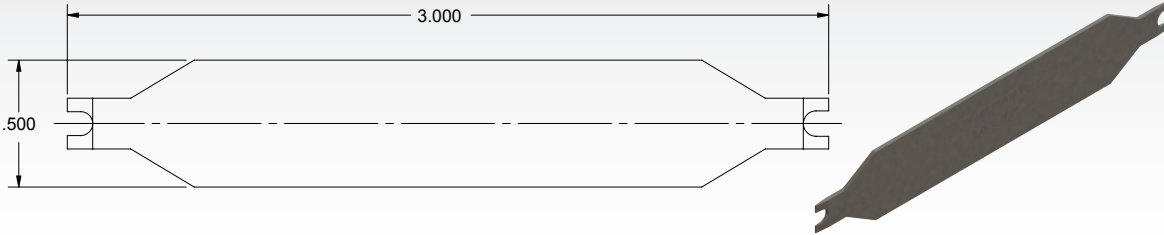
## Male Short



Detent	P/N
SB	8038-6005
FD	8038-6006

# SMPS SERIES

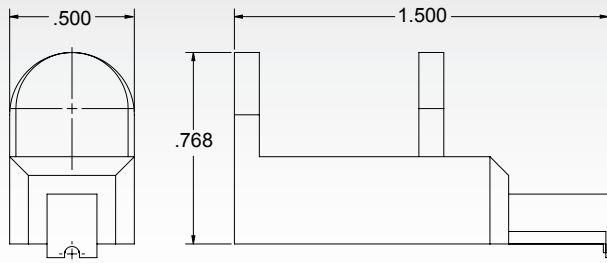
## Female Cable Removal Tool



P/N

500-38-002

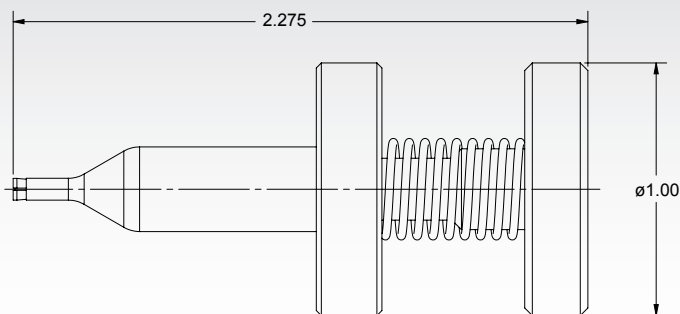
## Female Removal Tool



P/N

500-38-003

## Female Bullet Removal Tool



P/N

500-38-004