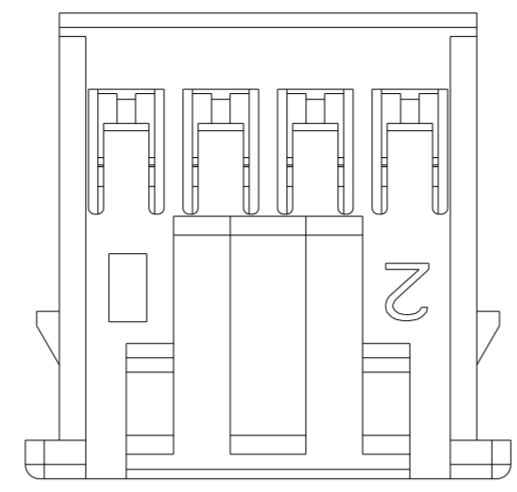
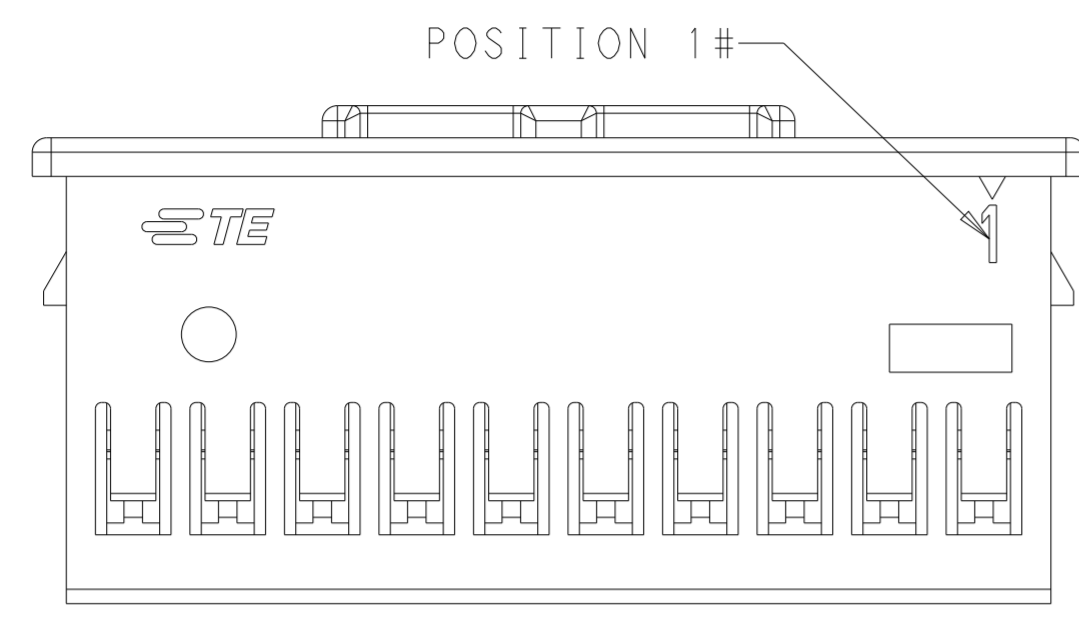
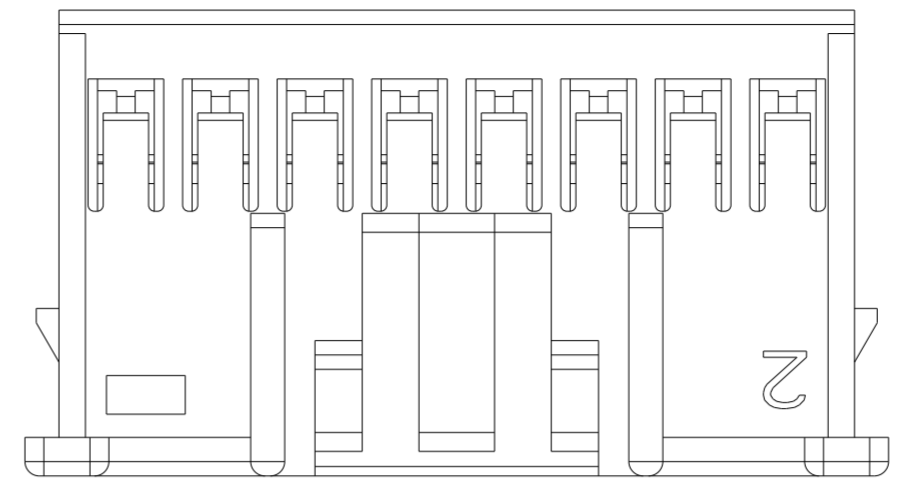


THIS DRAWING IS UNPUBLISHED. RELEASED FOR PUBLICATION 20
 © COPYRIGHT 20 BY - ALL RIGHTS RESERVED.

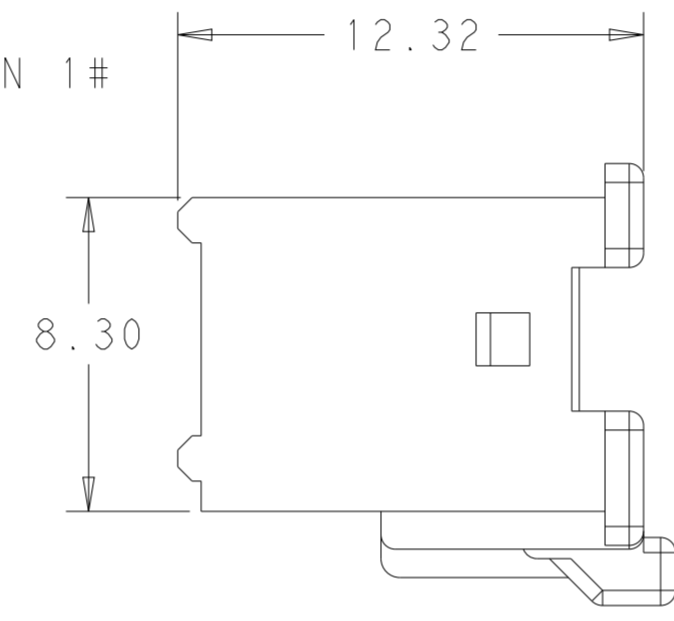
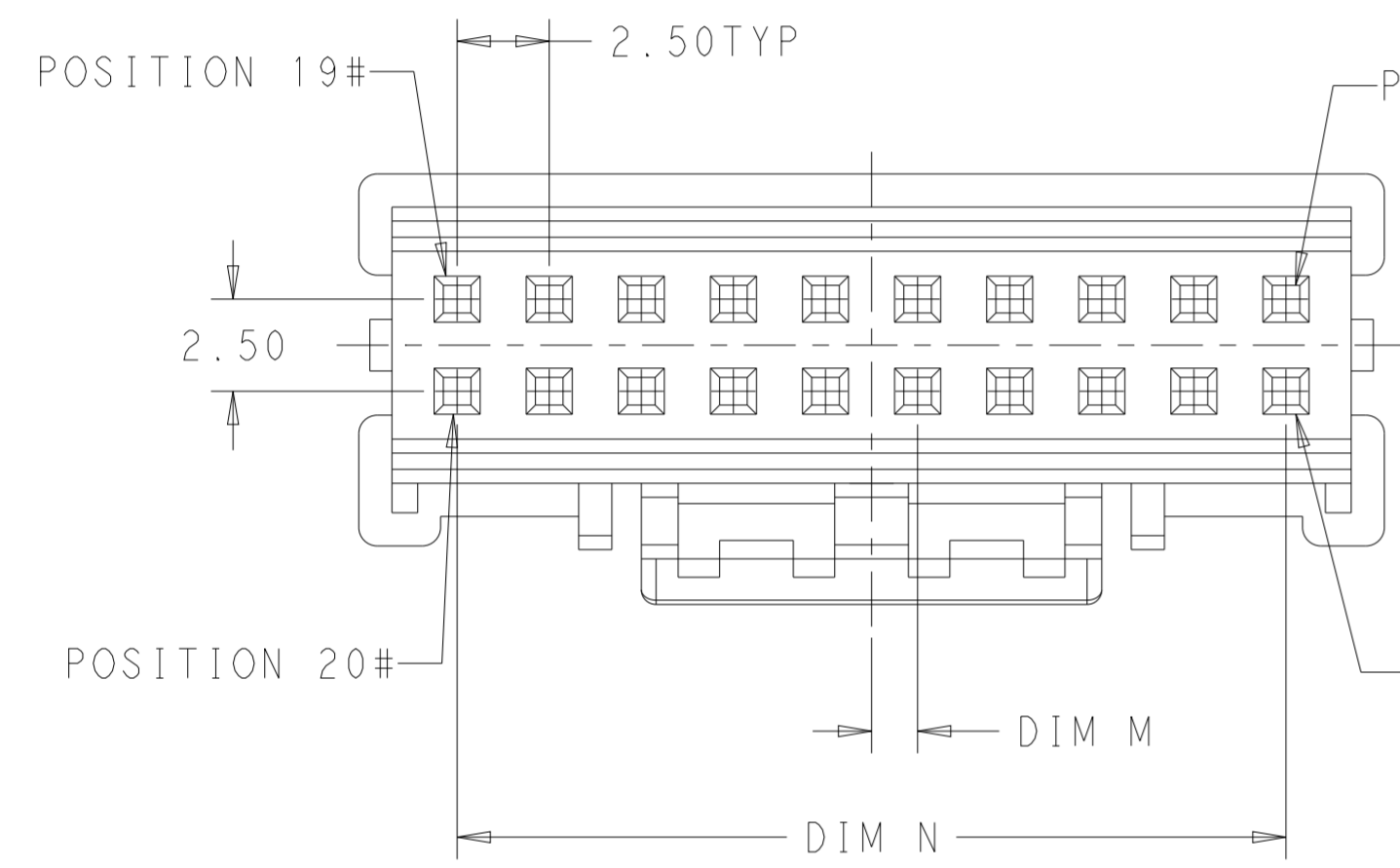
REVISIONS				
P	LTR	DESCRIPTION	DATE	APVD
A		FIRST RELEASED	16AUG2019	WH DZ
B		REVISED PER ECR-22-158335	01MAR2023	WH LC
C		REVISED PER ECR-23-178962	11JAN2024	WH LC



SINGLE LATCH DETAIL FOR
2324579-8 AND 1-2324579-0

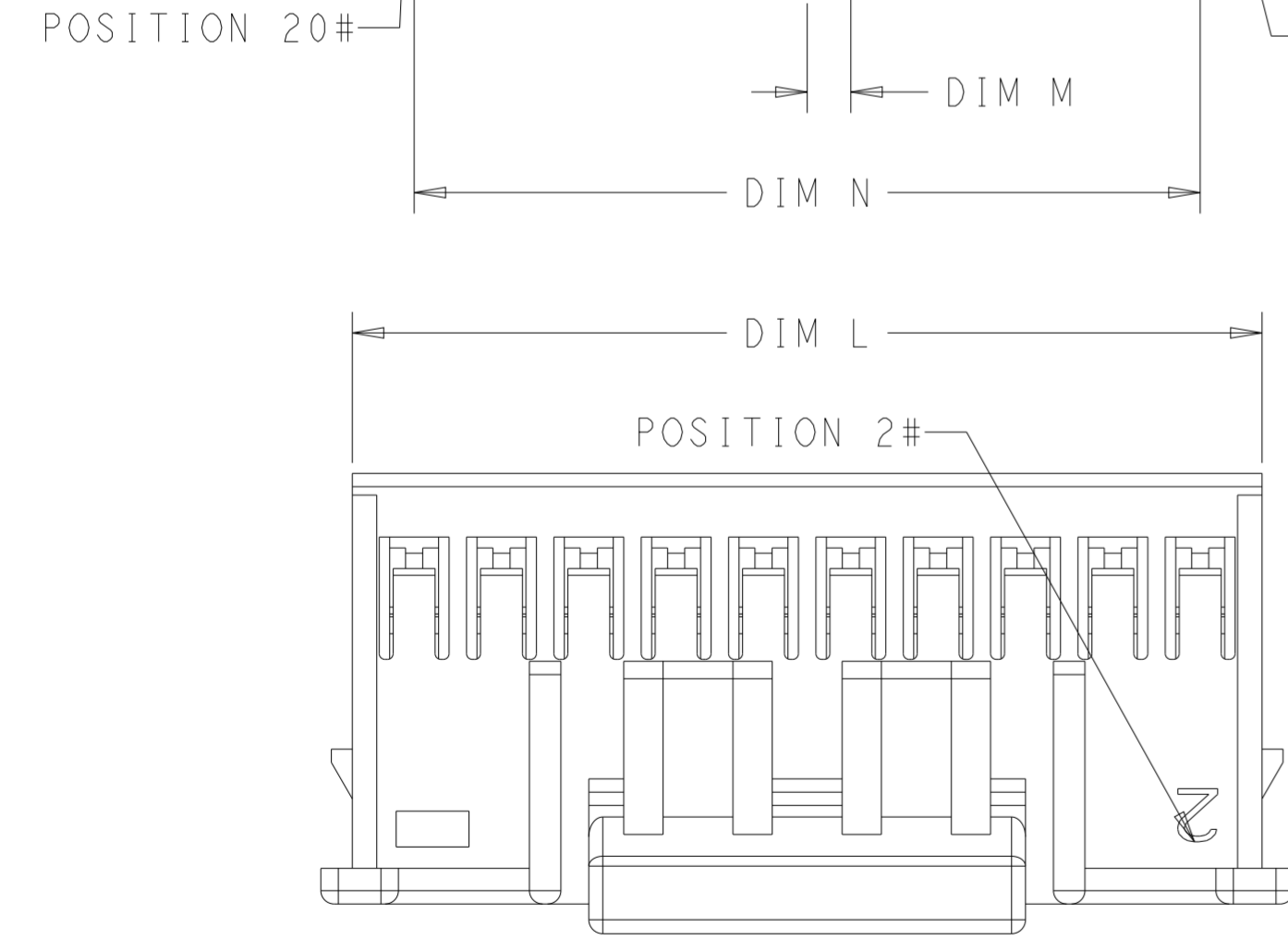


SINGLE LATCH DETAIL FOR
1-2324579-2 THRU 1-2324579-6

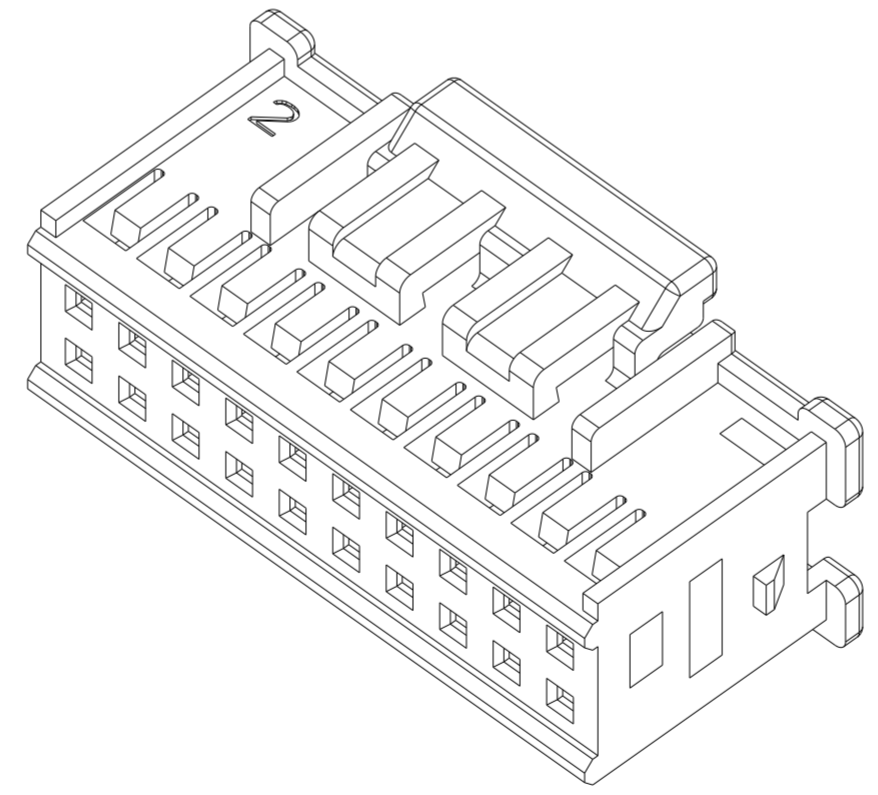


NOTES:

- 1. MATERIAL: NYLON 66, UL94V-0, COLOR:NATURAL.
- 2. DIMENSIONS SHOWN REPRESENT PRODUCT IN DRY, AS MOLDED, CONDITION. ADDITIONAL 2% GROWTH DUE TO SUBSEQUENT MOISTURE ABSORPTION MAY OCCUR AND SHOULD BE ACCOUNTED FOR
- 3. RECOMMENDED MATING PART: []-2324582-[] OR []-2324584-[]
- 4. THE HOUSING ACCEPTS TERMINAL: 2110989-1 OR 2232905-1
1744423-1 OR 2232983-1
- 5. ACCEPT OPTIONAL TPA: []-1969541-[] OR []-2315219-[]



DUAL LATCH DETAIL FOR
1-2324579-8 THRU 4-2324579-0



2-2324579-0 SHOWN

DIM M	DIM N	DIM L	POSITION	PART NO.
1.25	47.50	51.04	40	4-2324579-0
0.00	45.00	48.54	38	3-2324579-8
1.25	42.50	46.04	36	3-2324579-6
0.00	40.00	43.54	34	3-2324579-4
1.25	37.50	41.04	32	3-2324579-2
0.00	35.00	38.54	30	3-2324579-0
1.25	32.50	36.04	28	2-2324579-8
0.00	30.00	33.54	26	2-2324579-6
1.25	27.50	31.04	24	2-2324579-4
0.00	25.00	28.54	22	2-2324579-2
1.25	22.50	26.04	20	2-2324579-0
0.00	20.00	23.54	18	1-2324579-8
1.25	17.50	21.04	16	1-2324579-6
0.00	15.00	18.54	14	1-2324579-4
1.25	12.50	16.04	12	1-2324579-2
0.00	10.00	13.54	10	1-2324579-0
1.25	7.50	11.04	8	2324579-8

THIS DRAWING IS A CONTROLLED DOCUMENT.

DIMENSIONS: mm 	TOLERANCES UNLESS OTHERWISE SPECIFIED: 0 PLC ± 1 PLC ± 2 PLC ±0.25 3 PLC ± 4 PLC ± ANGLES ±5° FINISH	DWN 26AUG2018 WARREN HUO	TE Connectivity
		CHK 27AUG2018 DANIEL ZHANG	
MATERIAL 	APVD 27AUG2018 DANIEL ZHANG	NAME PLUG HOUSING, EP2.5 DUAL ROW WIRE TO WIRE AND WIRE TO BOARD	RESTRICTED TO -
		PRODUCT SPEC 108-2418	
APPLICATION SPEC 114-13315		SIZE A200779	DRAWING NO C-2324579
CUSTOMER DRAWING		SCALE N/A	SHEET 1 OF 1 REV C