

THIS DRAWING IS UNPUBLISHED. RELEASED FOR PUBLICATION
 © COPYRIGHT BY TYCO ELECTRONICS CORPORATION. ALL RIGHTS RESERVED.

P	LTR	DESCRIPTION	ECN	DATE	DWN	APVD
	A	RELEASE		25-OCT-06	F.B	Y.W
	B	CHANGE NEW LOGO	ECO-08-019294	11-SEP-08	M.H.L	BH.Y

1-1419145-5	OMIF-S-124LM	24V	OMIF-S-124LM	b
1-1419123-2	OMIF-S-112LM	12V	OMIF-S-112LM	a
TE PART NO.	EC TYPE NAME	PART B	PART A	ITEM

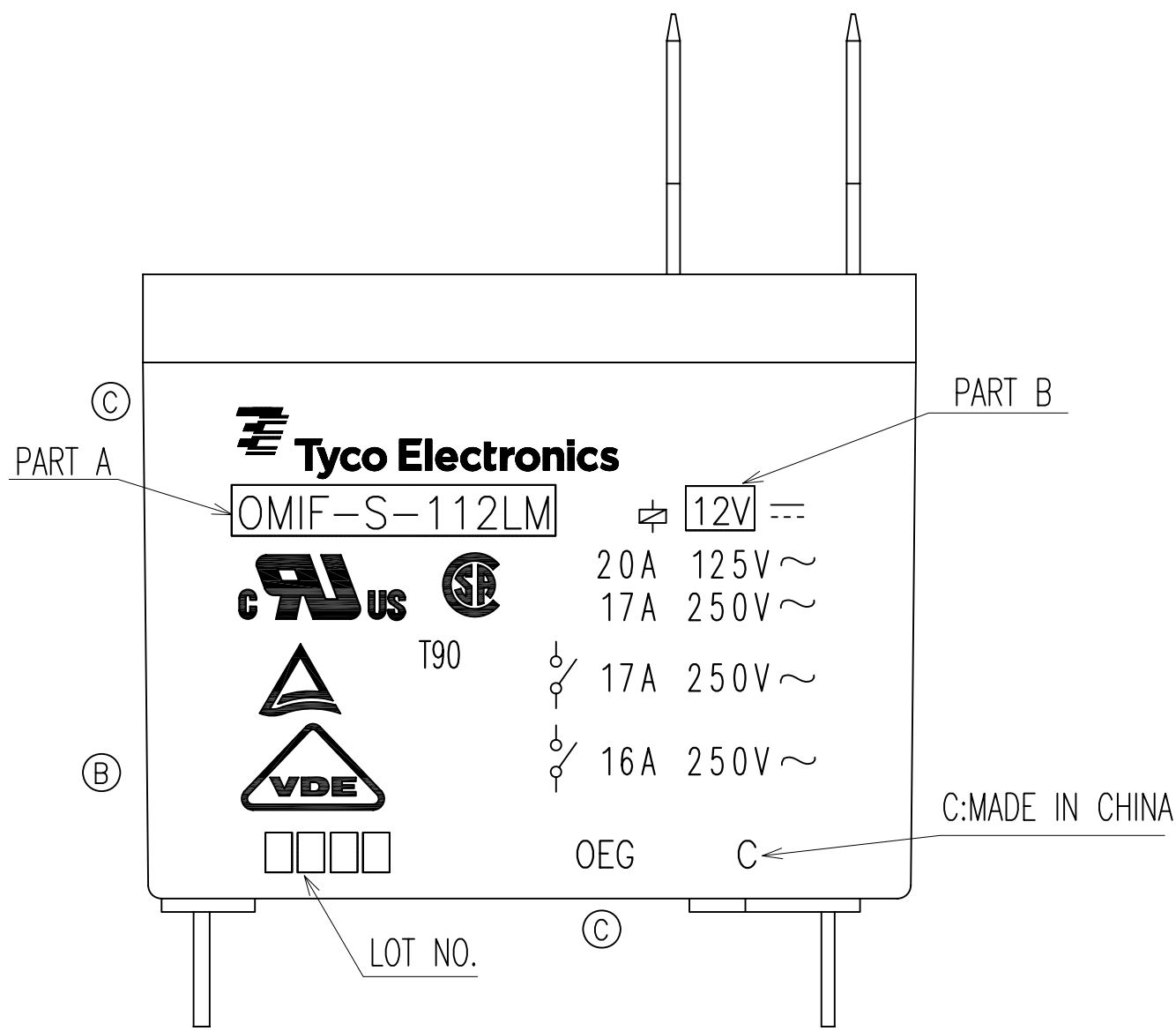
RELAY TYPE

THIS DRAWING IS A CONTROLLED DOCUMENT FOR TYCO ELECTRONICS CORPORATION IT IS SUBJECT TO CHANGE AND THE CONTROLLING ENGINEERING ORGANIZATION SHOULD BE CONTACTED FOR THE LATEST REVISION.		DWN Fu.Bo	Tyco Electronics Corporation Shenzhen, China				
DIMENSIONS: mm		CHK XN,Zhang					
TOLERANCES UNLESS OTHERWISE SPECIFIED:		APVD YAN,WEN	OMIF CUSTOMER DRAWING				
0 PLC ± 1 PLC ± 2 PLC ± 3 PLC ± 4 PLC ±		PRODUCT SPEC					
MATERIAL SEE MATERIAL TABLE		FINISH	APPLICATION SPEC	SIZE A3	GAGE CODE 00779	DRAWING NO 1-1419123-2	RESTRICTED TO
CUSTOMER DRAWING			WEIGHT	SCALE 4:1	SHEET 1 OF 2	REV B	

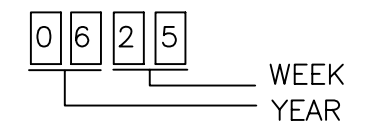
OBSOLETE
NOT the LATEST
REVISION

THIS DRAWING IS UNPUBLISHED. RELEASED FOR PUBLICATION
 © COPYRIGHT BY TYCO ELECTRONICS CORPORATION. ALL RIGHTS RESERVED.

LOC HB	DIST	REVISIONS						
		P	LTR	DESCRIPTION	ECN	DATE	DWN	APVD



NOTES:
 1.LOT NO. SYSTEM AS FOLLOWING:



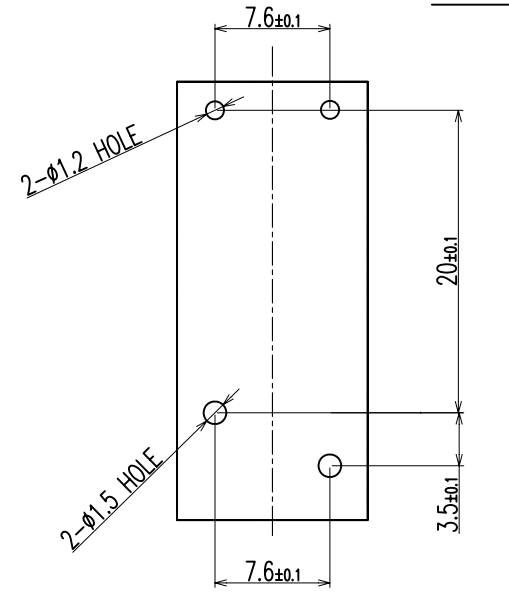
2.GENERAL TOLERANCE AS FOLLOWING:

TOLERANCE	
0~0.99mm	±0.1
1mm~2.99mm	±0.2
3mm MIN.	±0.3

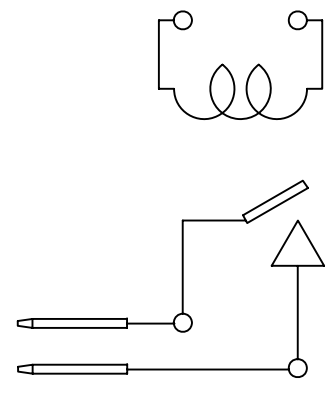
3.TERMINAL DIMENSION IS NOT INCLUDING SOLDER TIP.

ITEM	DESCRIPTION	MATERIAL	TREATMENT	INCOMBUSTIBILITY
16	SEAL	EPOXY RESIN		
15	MAGNETIC WIRE	UEW		
14	CASE	PBT		
13	BASE	PET		
12	BOBBIN	PBT		
11	COIL TERMINAL	CP WIRE	SOLDER DIP	
10	CARD	PPS	94V-0	
9	MOVABLE CONTACT	Ag ALLOY		
8	STATIONARY CONTACT	Ag ALLOY		
7	HINGE SPRING	Cu ALLOY		
6	MOVABLE SPRING	Cu ALLOY	SOLDER DIP	
5	C-TERMINAL	Cu ALLOY	SOLDER DIP	
4	M-TERMINAL	Cu ALLOY	FMN 2	
3	CORE	STEEL	FMN 2	
2	ARMATURE	STEEL	FMN 2	
1	YOKE	STEEL	FMN 2	

VIEW C: MARKING



DRILLING DIAGRAM (BOTTOM VIEW)(2/1)



CONNECTION DIAGRAM

THIS DRAWING IS A CONTROLLED DOCUMENT FOR TYCO ELECTRONICS CORPORATION
 IT IS SUBJECT TO CHANGE AND THE CONTROLLING ENGINEERING ORGANIZATION
 SHOULD BE CONTACTED FOR THE LATEST REVISION.

DWN Fu.Bo
 CHK XN,Zhang
 APVD YAN,WEN
 PRODUCT SPEC
 APPLICATION SPEC
 WEIGHT

Tyco Electronics Tyco Electronics Corporation
 Shenzhen,China

OMIF CUSTOMER DRAWING

SIZE A3 GAGE CODE 00779 DRAWING NO. 1-1419123-2 RESTRICTED TO
 CUSTOMER DRAWING SCALE 4:1 SHEET 2 OF 2 REV B