

Data Sheet | Item Number: 857-368

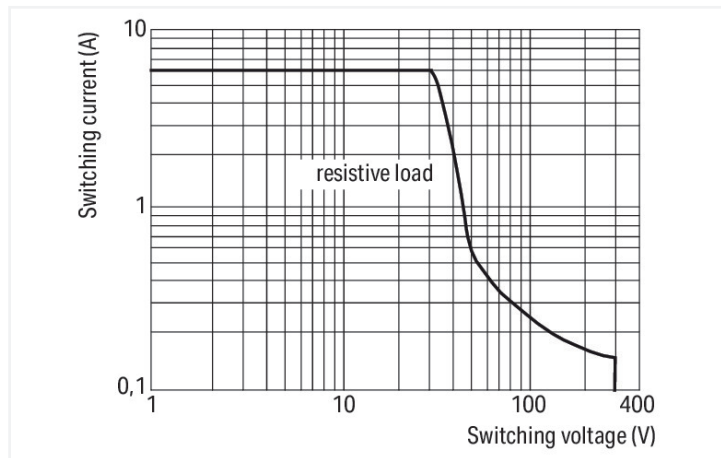
Relay module; Nominal input voltage: 230 V AC/DC; 1 changeover contact; Limiting continuous current: 6 A; with gold contacts; Yellow status indicator; Module width: 6 mm; 2,50 mm²; gray



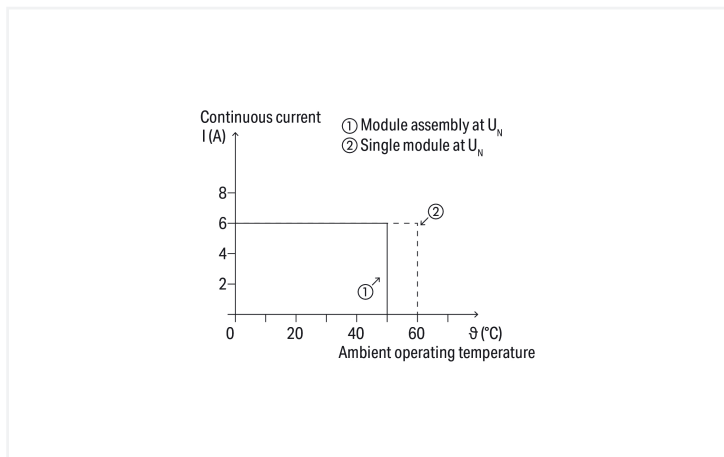
<https://www.wago.com/857-368>



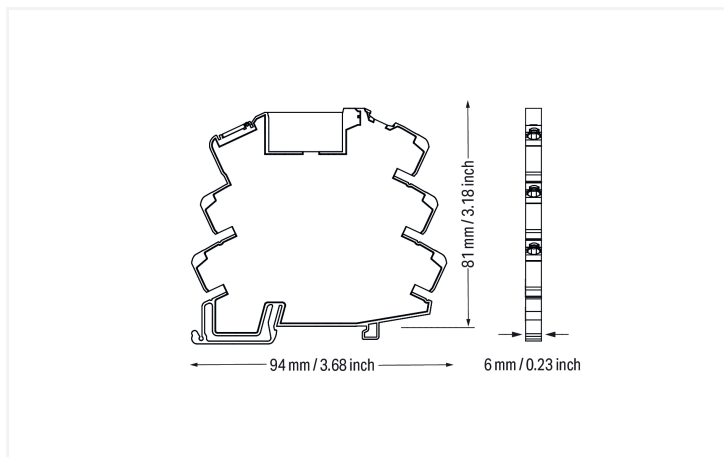
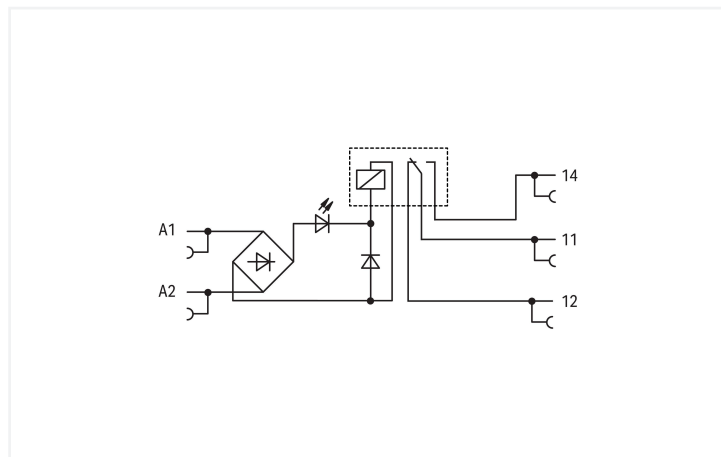
Color: ■ gray



DC load limit curve



Current-carrying capacity curve



Notes

Safety Information

Adjacent devices of the same type are devices of the same design (series) that are arranged next to one another on the DIN-rail with the same orientation. An end stop (249-116) must be fitted to devices of other types for compliance with the reinforced insulation requirements.

Note

To prevent damaging the gold layer, 30 V switching voltages and 50 mA currents must not be exceeded. Higher switching power eventually evaporates the gold layer. The resulting deposits in the housing may reduce service life.

To protect the relay coils and contacts, inductive loads must be dampened with an effective protection circuit.

Technical data

Control circuit

| | |
|---|-------------------------|
| Nominal input voltage U_N | 230 VAC/VDC |
| Input voltage range | -20 ... +10 % |
| Nominal input current at U_N | 4 mA |
| Nominal frequency range (input voltage) | 50 ... 60 HzAC / 0 HzDC |

Load circuit

| | |
|--|---|
| Number of changeover/switchover contacts | 1 |
| Contact material (relay) | AgNi + Au |
| Limiting continuous current | 6 A |
| Inrush current (resistive) max. | (AC) 20 A / 0.02 s |
| Switching Voltage, Max. | 250 VAC |
| Switching power (resistive) max. | AC 1500 VA; DC (see load limit curve) |
| Switching capacity | AC-15: 3 A / 250 VAC; DC-13: 2 A / 24 VDC |
| Recommended minimum load | 1 V / 1 mA / 1 mW |
| Pull-in time (typ.) | 15 ms |
| Drop-out time (typ.) | 25 ms |
| Bounce time (typ.) | 3.5 ms |
| Electrical life (NO; resistive load; 23 °C) | 50 x 10 ³ switching operations |
| Mechanical life | 5 x 10 ⁶ switching operations |
| Switching frequency with/without load (max.) | 6 min ⁻¹ / 180 min ⁻¹ |

Signaling

| | |
|------------------|------------|
| Status indicator | Yellow LED |
|------------------|------------|

Safety and protection

| | |
|---|---|
| Rated Voltage | 300 V |
| Rated impulse withstand voltage | 4 kV |
| Type of circuits | Mains circuits |
| Overvoltage category | III |
| Pollution degree | 2 |
| Dielectric strength (control/load circuit) (AC, 1 min) | 3.51 kVrms |
| Dielectric strength (open contact) (AC, 1 min) | 1 kVrms |
| Insulation type (control/load circuit) | Reinforced insulation (safe isolation) |
| Insulation type (between adjacent devices of the same type) | Double insulation (safe isolation) |
| Insulation type (to adjacent devices of different types) | Basic insulation |
| Safety Information | Adjacent devices of the same type are devices of the same design (series) that are arranged next to one another on the DIN-rail with the same orientation. An end stop (249-116) must be fitted to devices of other types for compliance with the reinforced insulation requirements. |
| Protection type | IP20 |

Connection Data

| | |
|---|--|
| Connection technology | Push-in CAGE CLAMP® |
| Solid conductor | 0.34 ... 2.5 mm ² / 22 ... 14 AWG |
| Fine-stranded conductor | 0.34 ... 2.5 mm ² / 22 ... 14 AWG |
| Fine-stranded conductor; with insulated ferrule | 0.34 ... 1.5 mm ² / 22 ... 16 AWG |
| Strip length | 9 ... 10 mm / 0.35 ... 0.39 inches |

Physical data

| | |
|-----------------------------------|----------------------|
| Width | 6 mm / 0.236 inches |
| Height | 94 mm / 3.701 inches |
| Depth from upper-edge of DIN-rail | 81 mm / 3.189 inches |

Mechanical data

| | |
|-------------------|---------------------------------------|
| Mounting type | DIN-35 rail |
| Mounting position | horizontal (standing/lying); vertical |

Material data

| | |
|------------------------------------|--|
| Note (material data) | Information on material specifications can be found here |
| Color | gray |
| Insulation material (main housing) | Polyamide (PA66) |
| Material group | I |
| Flammability class per UL94 | V0 |
| Fire load | 0.605 MJ |
| Weight | 30.3 g |

Environmental requirements

| | |
|--|--|
| Ambient temperature (operation at U _N) | -40 ... +60 °C |
| Ambient temperature (storage) | -40 ... +70 °C |
| Processing temperature | -25 ... +50 °C |
| Temperature range of connection cable | ≥ (T _{ambient} + 30 K) |
| Relative humidity | 5 ... 85 % (no condensation permissible) |
| Operating altitude (max.) | 2000 m |

Standards and Specifications

| | |
|--------------------------|--|
| Standards/specifications | EN 61010-2-201 EN 61810-1 EN 61373 UL 508 ATEX IECEX DNV |
|--------------------------|--|

Basic relay

| | |
|------------------|---------|
| WAGO Basic Relay | 857-157 |
|------------------|---------|

| Commercial data | |
|-----------------------|--------------------------|
| Product Group | 6 (INTERFACE ELECTRONIC) |
| PU (SPU) | 25 (1) pcs |
| Packaging type | Box |
| Country of origin | DE |
| GTIN | 4045454673482 |
| Customs tariff number | 85364900990 |

| Product Classification | |
|------------------------|----------------------|
| UNSPSC | 39122334 |
| eCl@ss 10.0 | 27-37-16-01 |
| eCl@ss 9.0 | 27-37-16-01 |
| ETIM 9.0 | EC001437 |
| ETIM 10.0 | EC001437 |
| ECCN | NO US CLASSIFICATION |

| Environmental Product Compliance | |
|---|--|
| CAS-No. | 7439-92-1 79-94-7 |
| REACH Candidate List Substance | 2,2',6,6'-tetrabromo-4,4'-isopropylidenediphenol Lead |
| RoHS Compliance Status | Compliant,With Exemption |
| RoHS Exemption | 7(c)-I |
| SCIP notification number (Bulgaria) | 9d4d1dd9-ae5e-427e-8514-4177ee66f04f |
| SCIP notification number (Czech Republic) | 1474dc2a-58de-4f57-8c28-1ffcddcfdbb1 |

Approvals / Certificates

| General approvals | | |
|--|----------------|------------------|
| | | |
| Approval | Standard | Certificate Name |
| EAC GZO Almaty Standart | TP TC 004/2011 | EAC CoC 03078 |
| UL Underwriters Laboratories Inc. (ORDINARY LOCATIONS) | UL 508 | E175199 Sec.4 |

| Declarations of conformity and manufacturer's declarations | | |
|--|----------|------------------|
| Approval | Standard | Certificate Name |
| EU-Declaration of Conformity WAGO GmbH & Co. KG | - | - |
| UK-Declaration of Conformity WAGO GmbH & Co. KG | - | - |

| Approvals for marine applications | | |
|-----------------------------------|------------------------------------|-------------------|
| | | |
| Approval | Standard | Certificate Name |
| BV Bureau Veritas S.A. | Rules for class. of Steel Ships | 40179_CO |
| DNV DNV Germany GmbH | DNV-CG-0339,Aug.2021 | TAA00001D1 |
| PRS Polski Rejestr Statków | - | TE/1098/880590/23 |

| Approvals for hazardous areas | | |
|-------------------------------|-------------|---|
| | | |
| Approval | Standard | Certificate Name |
| ATEX DEKRA EXAM GmbH | EN 60079-0 | BVS_14_ATEX_E_091_X (II 3G Ex ec nC IIC T4 Gc; II 3G Ex ec IIC T4 Gc) |
| CCC CNEX | CNCA-C23-01 | 2020312304000757 (Ex ec nC IIC T4 Gc) |
| IECEx DEKRA EXAM GmbH | IEC 60079-0 | IECEX_BVS_14.0079X_Issue_3 (Ex ec nC IIC T4 Gc; Ex ec IIC T4 Gc) |
| UKEx WAGO GmbH & Co. KG | EN 60079-0 | UKCA_WA-GO22UKEX002X_ec nC |

Approvals for hazardous areas

| | | |
|--|-----------|---------|
| UL | UL 121201 | E198726 |
| Underwriters Laboratories Inc. (HAZARDOUS LOCATIONS) | | |

Downloads

Environmental Product Compliance

Compliance Search

Environmental Product Compliance 857-368



Documentation

Bid Text

| | | | |
|---------|------------|------------------|--|
| 857-368 | 19.02.2019 | xml 5.10 KB | |
| 857-368 | 20.02.2019 | docx 16.87 KB | |

Instruction Leaflet

| | | | |
|---------------------------------|------------|------------------|--|
| CCC Ex (Additional information) | 26.04.2023 | pdf 129.88 KB | |
|---------------------------------|------------|------------------|--|

CAD/CAE-Data

CAD data

2D/3D Models 857-368



CAE data

| | |
|---------------------------|--|
| EPLAN Data Portal 857-368 | |
| WSCAD Universe 857-368 | |
| ZUKEN Portal 857-368 | |

1 Compatible Products

1.1 Optional Accessories

1.1.1 Basic relay

1.1.1.1 Basic relay



Item No.: 857-157

Basic relay; Nominal input voltage: 60 VDC; 1 changeover contact; Limiting continuous current: 6 A; with gold contacts; Module width: 5 mm; Module height: 15 mm

1.1.2 Ferrule

1.1.2.1 Ferrule



Item No.: 216-241
 Ferrule; Sleeve for 0.5 mm² / 20 AWG; insulated; electro-tin plated; electrolytic copper; gastight crimped; acc. to DIN 46228, Part 4/09.90; white



Item No.: 216-242
 Ferrule; Sleeve for 0.75 mm² / 18 AWG; insulated; electro-tin plated; electrolytic copper; gastight crimped; acc. to DIN 46228, Part 4/09.90; gray



Item No.: 216-243
 Ferrule; Sleeve for 1 mm² / AWG 18; insulated; electro-tin plated; electrolytic copper; gastight crimped; acc. to DIN 46228, Part 4/09.90; red



Item No.: 216-244
 Ferrule; Sleeve for 1.5 mm² / AWG 16; insulated; electro-tin plated; electrolytic copper; gastight crimped; acc. to DIN 46228, Part 4/09.90; black

1.1.3 Jumper

1.1.3.1 Jumper



Item No.: 281-482
 Jumper; 2-way; insulated; gray



Item No.: 859-410/000-006
 Jumper; for jumper slot; 10-way; insulated; blue



Item No.: 859-410
 Jumper; for jumper slot; 10-way; insulated; light gray



Item No.: 859-410/000-005
 Jumper; for jumper slot; 10-way; insulated; red



Item No.: 859-410/000-029
 Jumper; for jumper slot; 10-way; insulated; yellow



Item No.: 859-402/000-006
 Jumper; for jumper slot; 2-way; insulated; blue



Item No.: 859-402
 Jumper; for jumper slot; 2-way; insulated; light gray



Item No.: 859-402/000-005
 Jumper; for jumper slot; 2-way; insulated; red



Item No.: 859-402/000-029
 Jumper; for jumper slot; 2-way; insulated; yellow



Item No.: 859-403/000-006
 Jumper; for jumper slot; 3-way; insulated; blue



Item No.: 859-403
 Jumper; for jumper slot; 3-way; insulated; light gray



Item No.: 859-403/000-005
 Jumper; for jumper slot; 3-way; insulated; red



Item No.: 859-403/000-029
 Jumper; for jumper slot; 3-way; insulated; yellow



Item No.: 859-404/000-006
 Jumper; for jumper slot; 4-way; insulated; blue



Item No.: 859-404
 Jumper; for jumper slot; 4-way; insulated; light gray



Item No.: 859-404/000-005
 Jumper; for jumper slot; 4-way; insulated; red



Item No.: 859-404/000-029
 Jumper; for jumper slot; 4-way; insulated; yellow



Item No.: 859-405/000-006
 Jumper; for jumper slot; 5-way; insulated; blue



Item No.: 859-405
 Jumper; for jumper slot; 5-way; insulated; light gray



Item No.: 859-405/000-005
 Jumper; for jumper slot; 5-way; insulated; red



Item No.: 859-405/000-029
 Jumper; for jumper slot; 5-way; insulated; yellow



Item No.: 859-406/000-006
 Jumper; for jumper slot; 6-way; insulated; blue



Item No.: 859-406
 Jumper; for jumper slot; 6-way; insulated; light gray



Item No.: 859-406/000-005
 Jumper; for jumper slot; 6-way; insulated; red



Item No.: 859-406/000-029
 Jumper; for jumper slot; 6-way; insulated; yellow



Item No.: 859-407/000-006
 Jumper; for jumper slot; 7-way; insulated; blue



Item No.: 859-407
 Jumper; for jumper slot; 7-way; insulated; light gray



Item No.: 859-407/000-005
 Jumper; for jumper slot; 7-way; insulated; red



Item No.: 859-407/000-029
 Jumper; for jumper slot; 7-way; insulated; yellow



Item No.: 859-408/000-006
 Jumper; for jumper slot; 8-way; insulated; blue



Item No.: 859-408
 Jumper; for jumper slot; 8-way; insulated; light gray



Item No.: 859-408/000-005
 Jumper; for jumper slot; 8-way; insulated; red



Item No.: 859-408/000-029
 Jumper; for jumper slot; 8-way; insulated; yellow



Item No.: 859-409/000-006
 Jumper; for jumper slot; 9-way; insulated; blue



Item No.: 859-409
 Jumper; for jumper slot; 9-way; insulated; light gray



Item No.: 859-409/000-005
 Jumper; for jumper slot; 9-way; insulated; red



Item No.: 859-409/000-029
 Jumper; for jumper slot; 9-way; insulated; yellow

1.1.4 Marking

1.1.4.1 Double marker carrier



Item No.: 209-128

Adaptor; gray

1.1.4.2 Group marker carrier



Item No.: 249-105

Group marker carrier; gray

1.1.4.3 Marker



Item No.: 209-183

Marker; white



Item No.: 793-5501

WMB marking card; as card; for terminal block width 5 - 17.5 mm; stretchable 5 - 5.2 mm; plain; snap-on type; white



Item No.: 793-502

WMB marking card; as card; MARKED; 1 ... 10 (10x); not stretchable; Horizontal marking; snap-on type; white



Item No.: 793-566

WMB marking card; as card; MARKED; 1 ... 50 (2x); not stretchable; Horizontal marking; snap-on type; white



Item No.: 793-503

WMB marking card; as card; MARKED; 11 ... 20 (10x); not stretchable; Horizontal marking; snap-on type; white



Item No.: 793-504

WMB marking card; as card; MARKED; 21 ... 30 (10x); not stretchable; Horizontal marking; snap-on type; white



Item No.: 793-505

WMB marking card; as card; MARKED; 31 ... 40 (10x); not stretchable; Horizontal marking; snap-on type; white



Item No.: 793-506

WMB marking card; as card; MARKED; 41 ... 50 (10x); not stretchable; Horizontal marking; snap-on type; white



Item No.: 793-501

WMB marking card; as card; not stretchable; plain; snap-on type; white



Item No.: 2009-115

WMB-Inline; for Smart Printer; 1500 pieces on roll; stretchable 5 - 5.2 mm; plain; snap-on type; white

1.1.4.4 Marking device



Item No.: 210-110

Fiber-tip pen

1.1.4.5 Marking strip



Item No.: 2009-110

Marking strips; for Smart Printer; on reel; not stretchable; plain; snap-on type; white

1.1.4.6 Protective marker cover



Item No.: 209-184

Protection cover; transparent

1.1.5 Tool

1.1.5.1 Operating tool

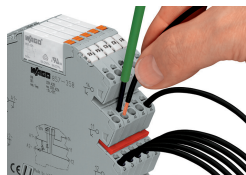


Item No.: 210-720

Operating tool; Blade: 3.5 x 0.5 mm; with a partially insulated shaft; multicoloured

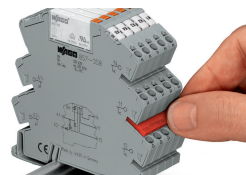
Installation Notes

Conductor termination



Conductor termination

Commoning



Easy commoning using adjacent jumpers

Marking



Marking via WMB Multi Marking System.

Installation



Removing a relay via ejector.