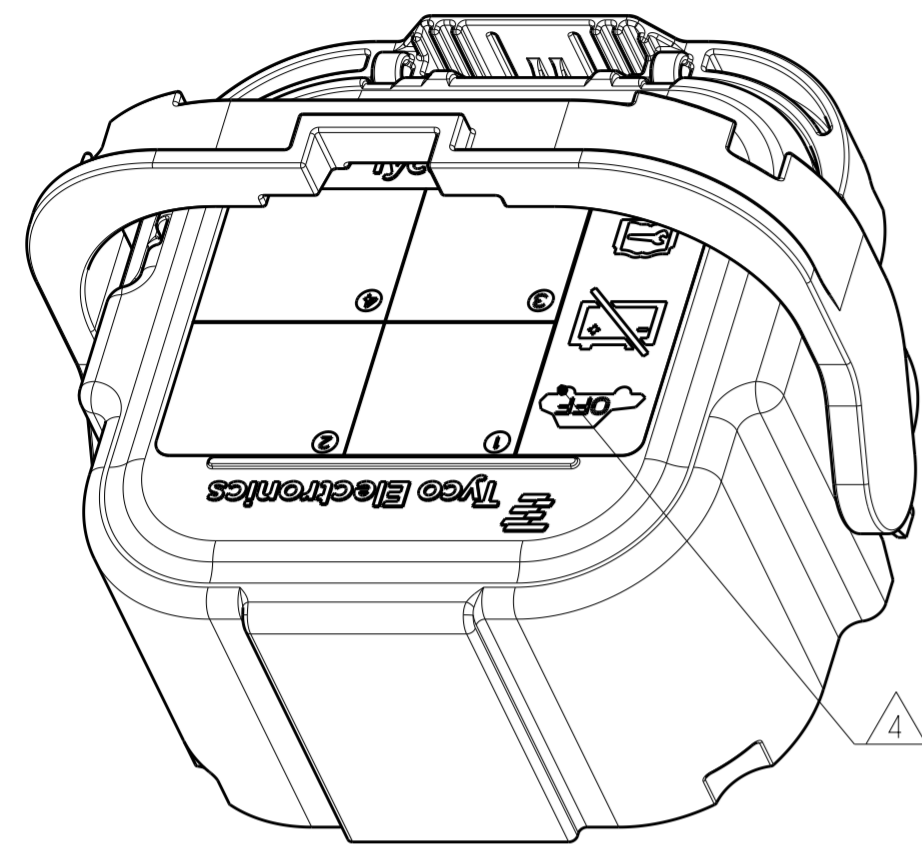
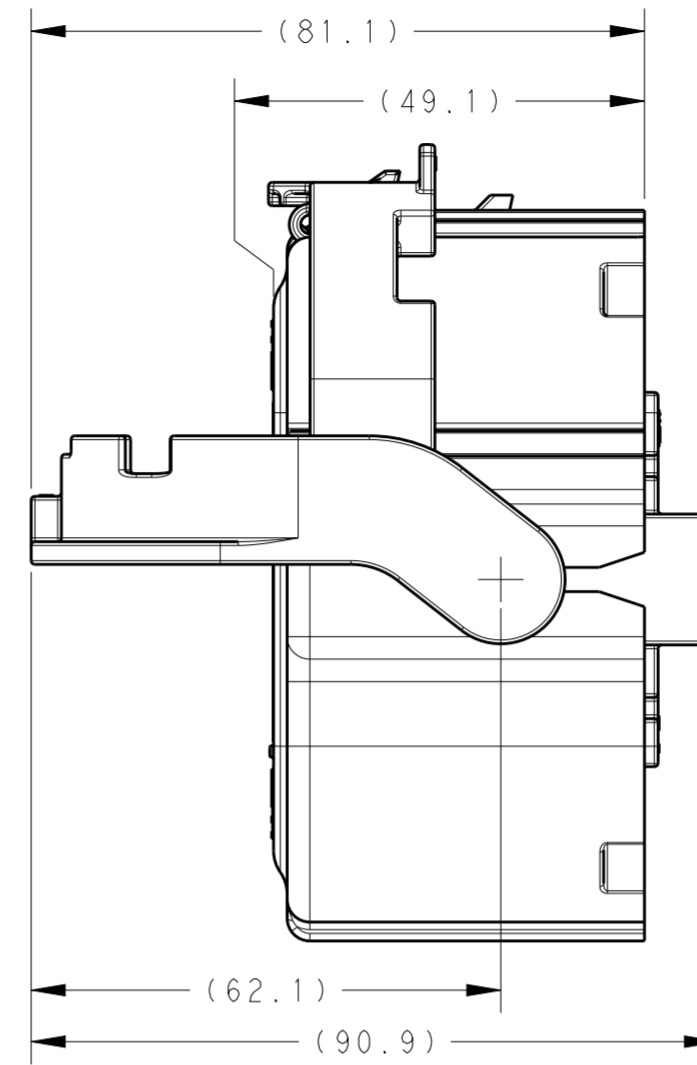
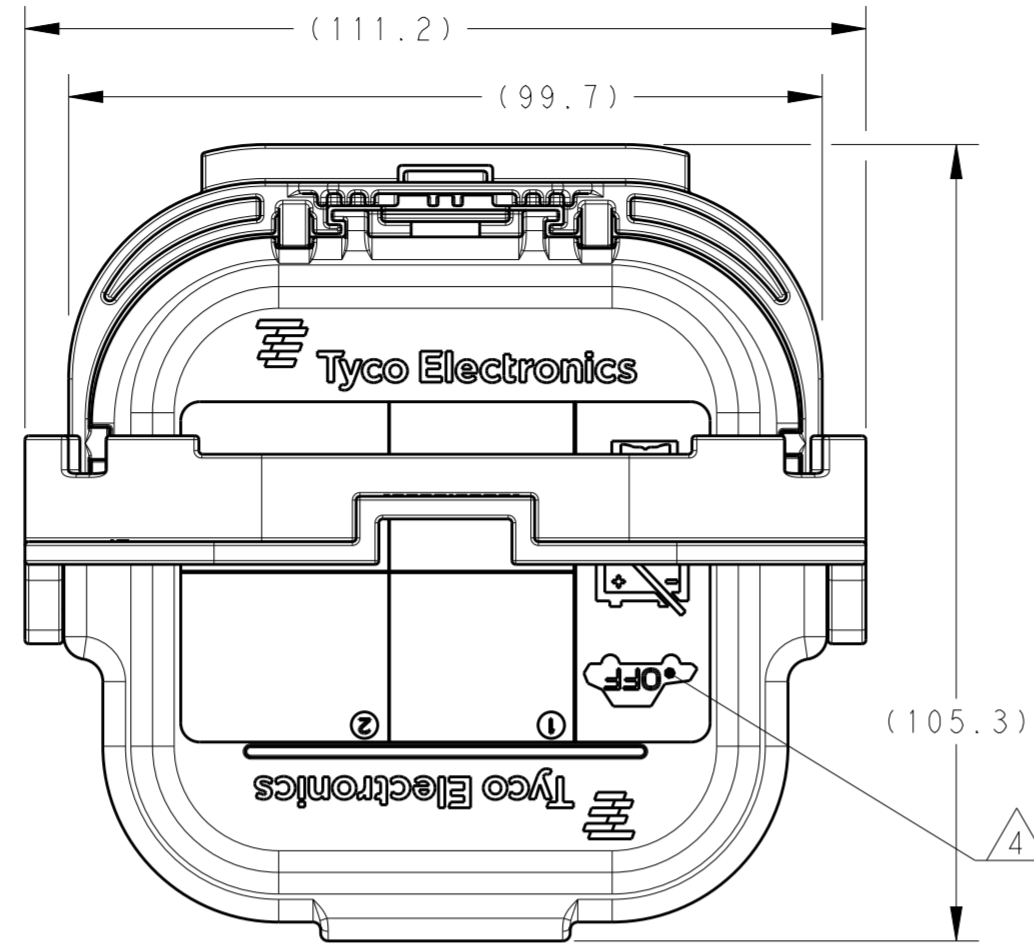


REVISIONS					
P	LTR	DESCRIPTION	DATE	DWN	APVD
A		RELEASED PER ECO-14-016912	08NOV2014	DD	JS
A1		RELEASED PER ECO-14-018527	09DEC2014	DD	JS
A2		OBSOLETE PER ECO-15-007296	14MAY2015	DD	JS
B		REACTIVATED PER ECO-17-011276	02AUG2017	RGV	TB

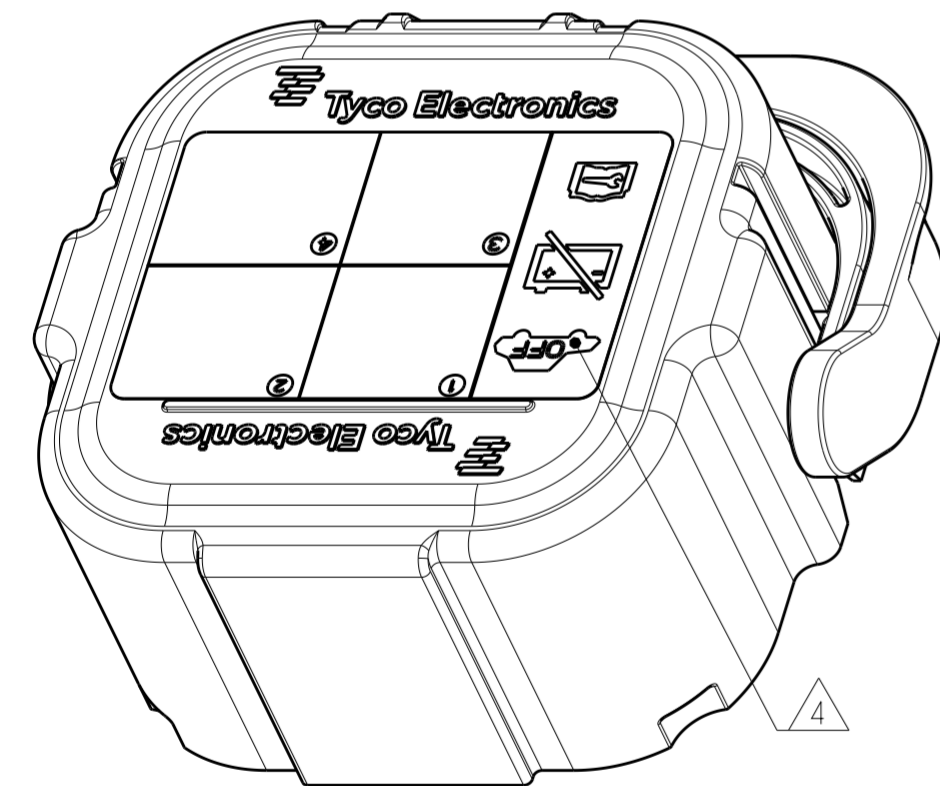
LEVER IN PRE-STAGE POSITION



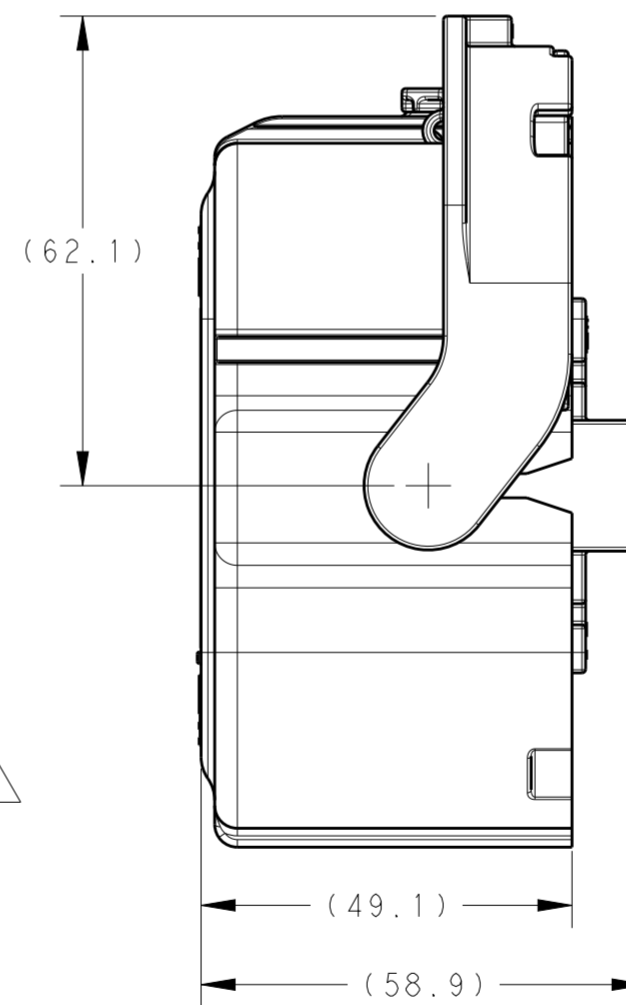
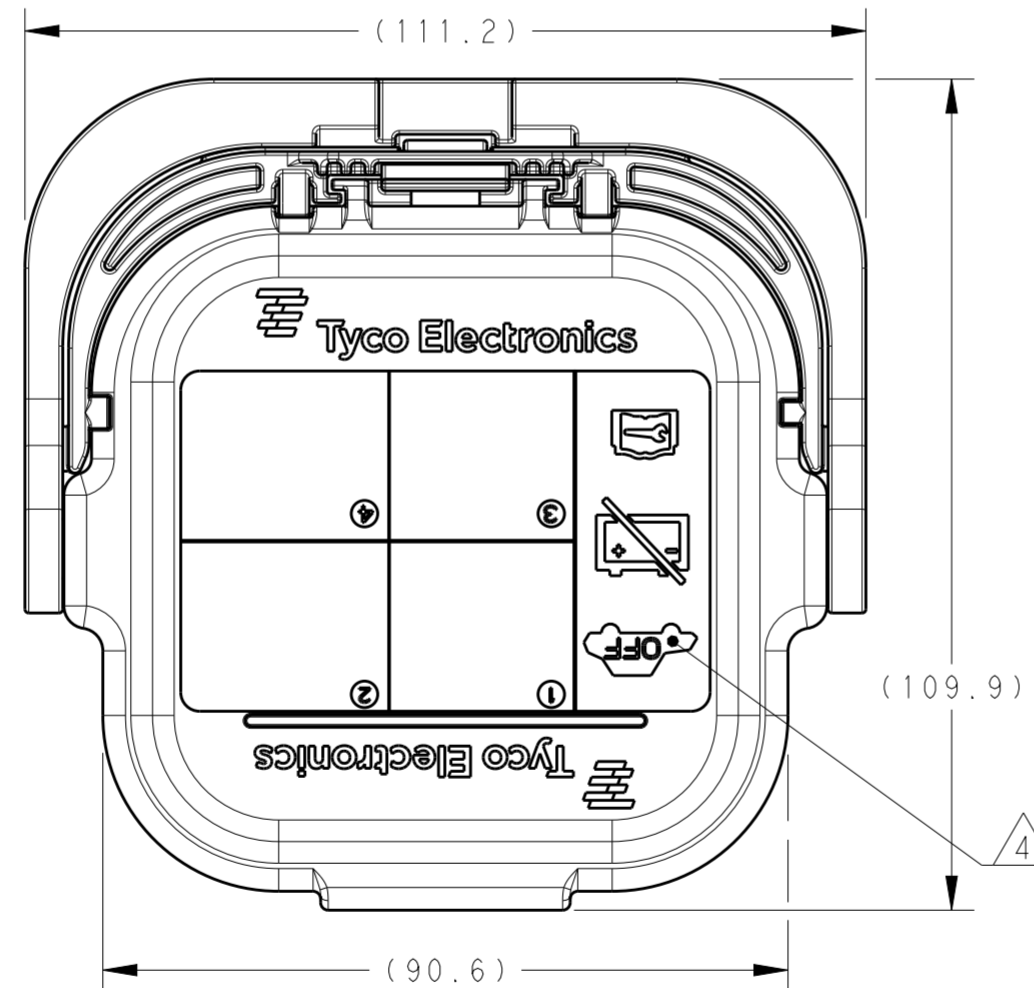
ISOMETRIC VIEW
SCALE 1:1



LEVER IN LOCKED POSITION



ISOMETRIC VIEW
SCALE 1:1



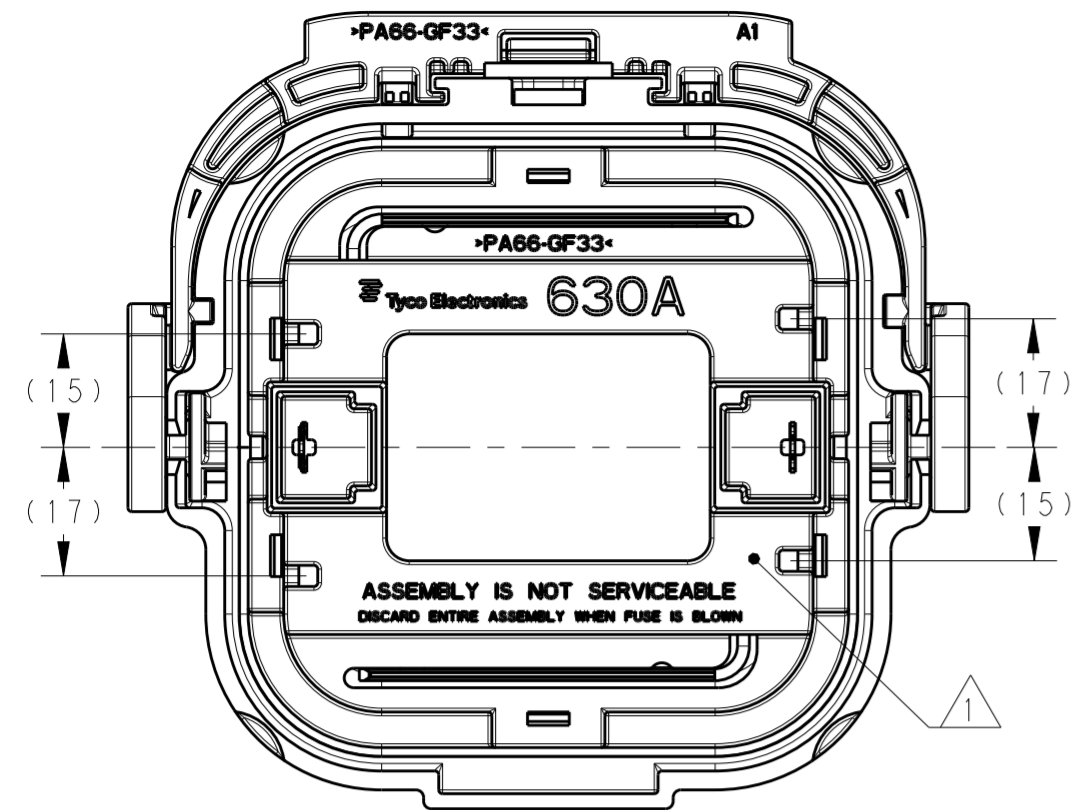
- ① INNER HOUSING MAY BE ASSEMBLED ROTATED 180° FROM AS SHOWN
- ② ASSEMBLY / WORK INSTRUCTIONS: 408-10432
- ③ SEE SHEET 2 FOR FUSE RATING MARKINGS AND KEYING CONFIGURATIONS
- ④ IMAGE FOR REFERENCE ONLY, SHOWS ORIENTATION

A1	BLACK	525.60	630A (EV)	2103842-2
	INNER LEVER COLOR	PART WEIGHT(g)	FUSE RATING	PART NUMBER ③


THIS DRAWING IS A CONTROLLED DOCUMENT. DIMENSIONING AND TOLERANCING PER ASME Y14.5M-2009		DWN D. DRUMMOND 10SEP2014	TE Connectivity PLUG ASSEMBLY MANUAL SERVICE DISCONNECT	
DIMENSIONS: mm		CHK J. SHEVELA 10SEP2014		
TOLERANCES UNLESS OTHERWISE SPECIFIED:		APVD J. SHEVELA 10SEP2014	NAME	
0 PLC	±	PRODUCT SPEC	108-127000	
1 PLC	±	APPLICATION SPEC	-	
2 PLC	±	WEIGHT	SEE TABLE	
3 PLC	±	CUSTOMER DRAWING		
4 PLC	±	SCALE	1:1	SHEET 1 OF 2
ANGLES	±	RESTRICTED TO	-	
FINISH	-	REV	B	

THIS DRAWING IS UNPUBLISHED. RELEASED FOR PUBLICATION 20
 © COPYRIGHT 20 BY TYCO ELECTRONICS CORPORATION ALL RIGHTS RESERVED.

REVISIONS				
P	LTR	DESCRIPTION	DATE	APVD
-		SEE SHEET 1	-	-



2103842-2
 FUSE RATING: 630A

THIS DRAWING IS A CONTROLLED DOCUMENT. DIMENSIONING AND TOLERANCING PER ASME Y14.5M-2009		DWN D. DRUMMOND 10SEP2014	 TE Connectivity	
DIMENSIONS: mm		CHK J. SHEVELA 10SEP2014		
TOLERANCES UNLESS OTHERWISE SPECIFIED:		APVD J. SHEVELA 10SEP2014	NAME PLUG ASSEMBLY MANUAL SERVICE DISCONNECT	
0 PLC ± 1 PLC ± 2 PLC ± 3 PLC ± 4 PLC ± ANGLES ± FINISH		PRODUCT SPEC 108-127000 APPLICATION SPEC SEE SHEET 1	SIZE A200779	DRAWING NO C-2103842
MATERIAL	-	WEIGHT SEE SHEET 1	RESTRICTED TO -	
CUSTOMER DRAWING			SCALE 1:1	SHEET 2 OF 2