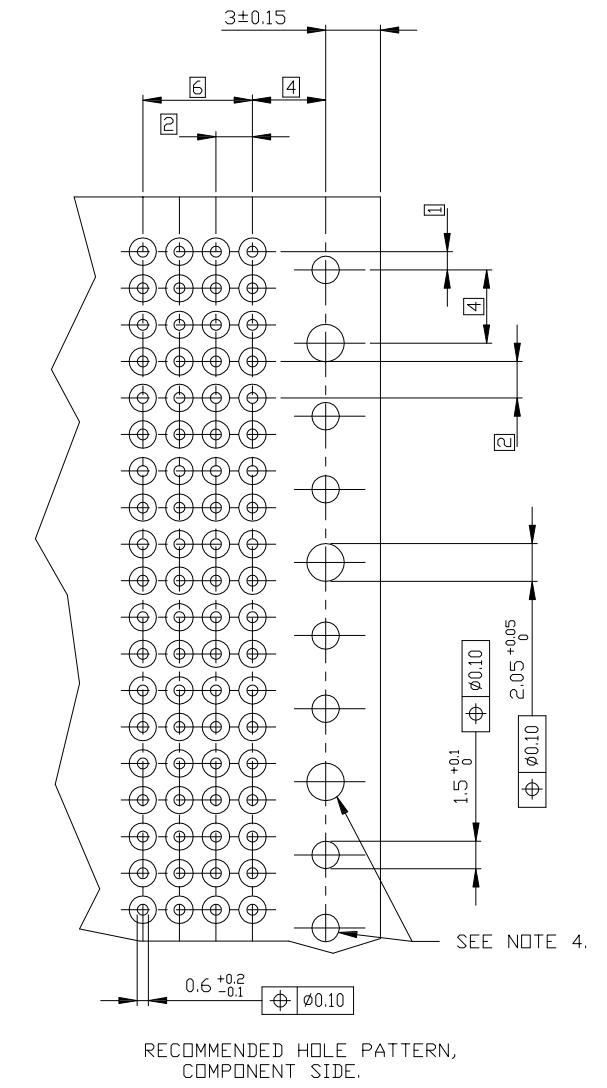
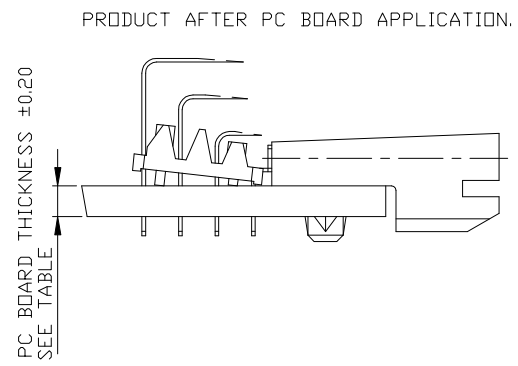
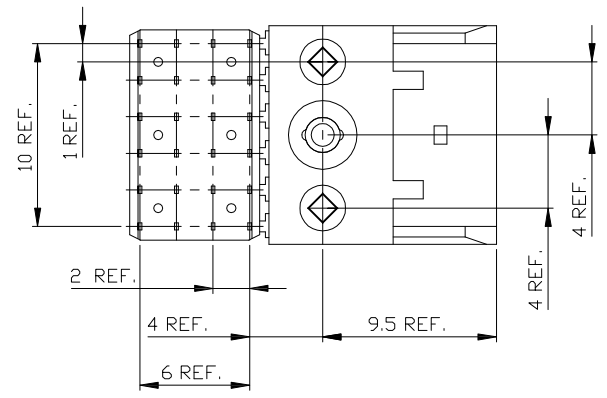
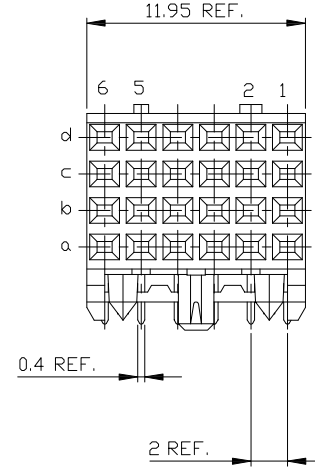
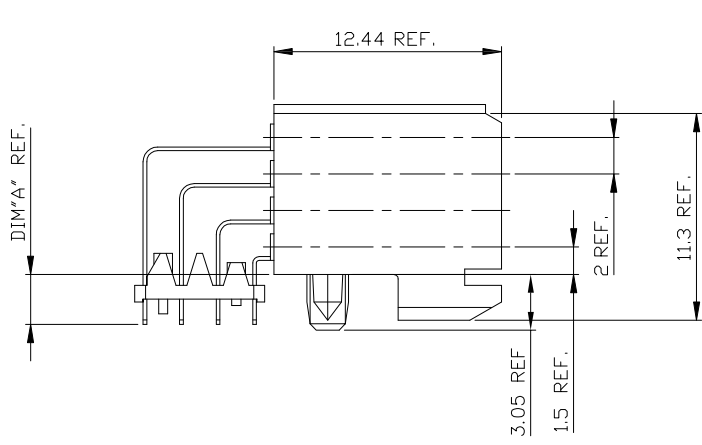


PC BOARD VERSIONS		
PRODUCTNR:	PCB THICKNESS	DIM"A"
89035-X01LF	1.6	2.90
89035-X11LF	2.4	3.53



- NOTES:
- BODY MAT'L: LIQUID CRYSTAL POLYMER 30% GLASS
FLAME RETARDANT ACC. UL 94-V0
 - TERMINAL MATERIAL: PHOSPHOR BRONZE.
 - PLATING SOLDER TAILS 2-8 um SnPb 90-97 DR 2-8 um PURE Sn FOR LEAD FREE .
 - INDICATED HOLES ARE UNPLATED.
 - PRODUCT MARKING: PARTNUMBER & BATCH ID.
 - THIS PRODUCT MEETS EUROPEAN UNION DIRECTIVES AND OTHER COUNTRY REGULATIONS AS DESCRIBED IN GS-47-0004 .
 - THE HOUSING WILL WITHSTAND EXPOSURE TO 260 DEGREE PEAK TEMPERATURE FOR 10 SECONDS IN A WAVE SOLDER APPLICATION.

PLATING CONTACT AREA:	
DASH NR:	PERFORMANCE LEVEL
-1YY/1YYLF	TELCORDIA CO
-2YY/2YYLF	CUSTOMER SPECIAL
-3YY/3YYLF	CUSTOMER SPECIAL

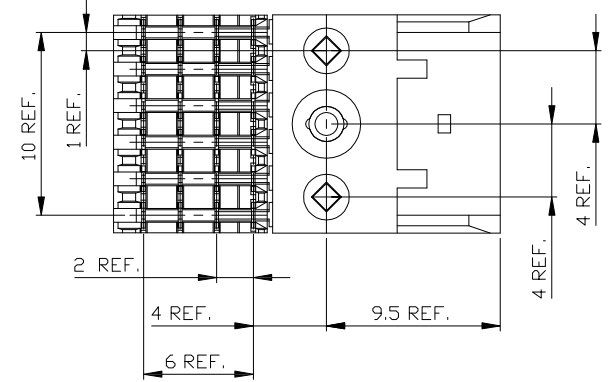
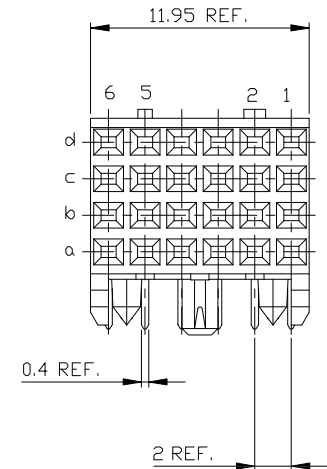
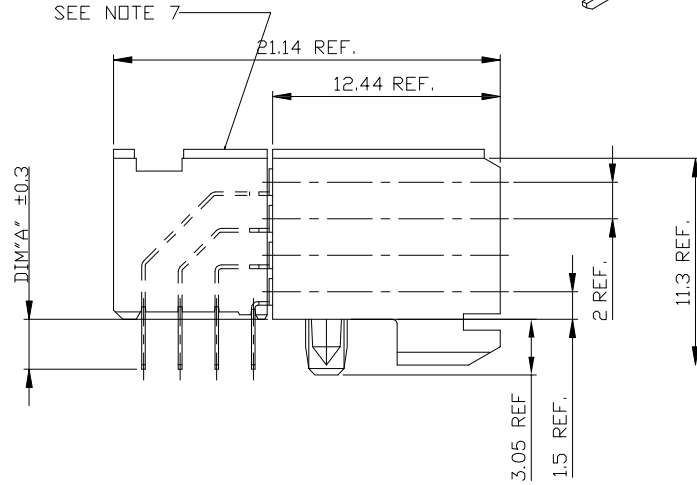
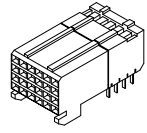
PRELIMINARY

mat'l. code	surface ISO 1302 ✓ ISO 406 ISO 101	tolerance ISO 406 ISO 101 tolerances unless otherwise specified	projection 1:1	product family METRAL
ltr M	ecn no 5009-0068	dr CENH	date 06/06/09	title RA FEMALE SIGNAL
N	ELX-I-30829	SA	28-04-18	12mm PRESS PEG
				dwg no 89035
				sheet 1 of 4
				size A2
				type Product Customer Drawing
sheet index	revision 1	N	N	N
	2	N	N	N
		3	4	

PC BOARD VERSIONS

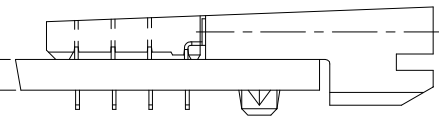
PRODUCTNR:	PCB THICKNESS	DIM"A"
89035-X02LF	1.6	2.90
89035-X12LF	2.4	3.53
89035-X04LF	1.6	2.90
89035-X05LF	1.6	2.90

REFER PAGE 4 FOR LAYOUTS

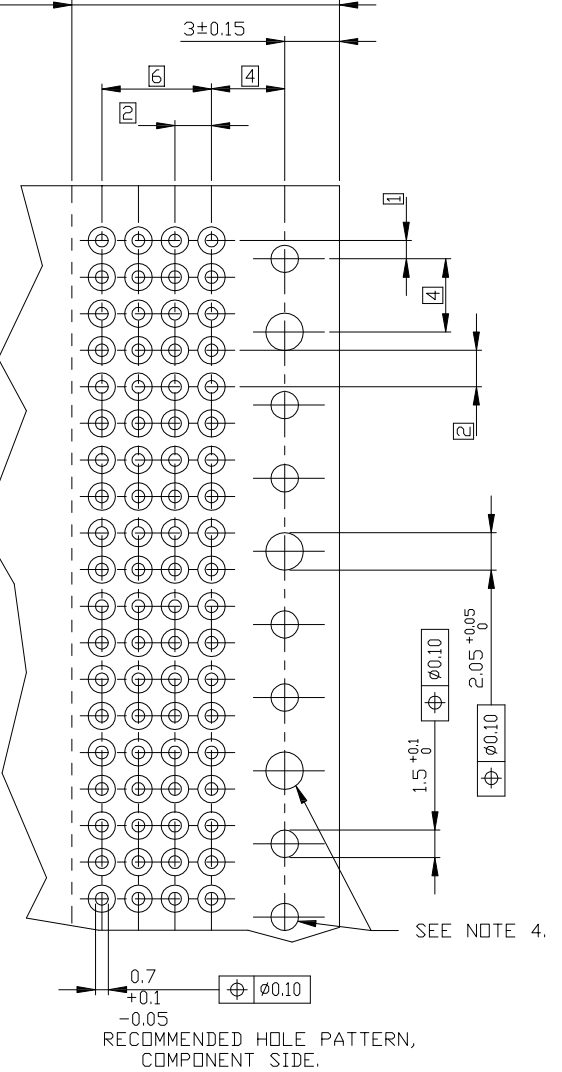


PRODUCT AFTER PC BOARD APPLICATION.

PC BOARD THICKNESS ±0.20
SEE TABLE



14.64 REF. SEE NOTE 6



NOTES:

- BODY MAT'L: LIQUID CRYSTAL POLYMER 30% GLASS
FLAME RETARDANT ACC. UL 94-V0
- TERMINAL MATERIAL: PHOSPHOR BRONZE.
- PLATING SOLDER TAILS 2-8 um SnPb 90-97 OR 2-8 um PURE Sn
- INDICATED HOLES ARE UNPLATED.
- PRODUCT MARKING: PART NUMBER & BATCH ID.
- SET BACK FOR PRESS BLOCK.
- TOP SURFACE OF PRESS BLOCK MAY EXTEND UP TO 0.4MM HIGHER THAN HOUSING. THIS MAY AFFECT THE TAIL LENGTH BEFORE APPLICATION TO A BOARD.
- THIS PRODUCT MEETS EUROPEAN UNION DIRECTIVES AND OTHER COUNTRY REGULATIONS AS DESCRIBED IN GS-47-0004
- THE HOUSING WILL WITHSTAND EXPOSURE TO 260 DEGREE PEAK TEMPERATURE FOR 10 SECONDS IN A WAVE SOLDER APPLICATION.

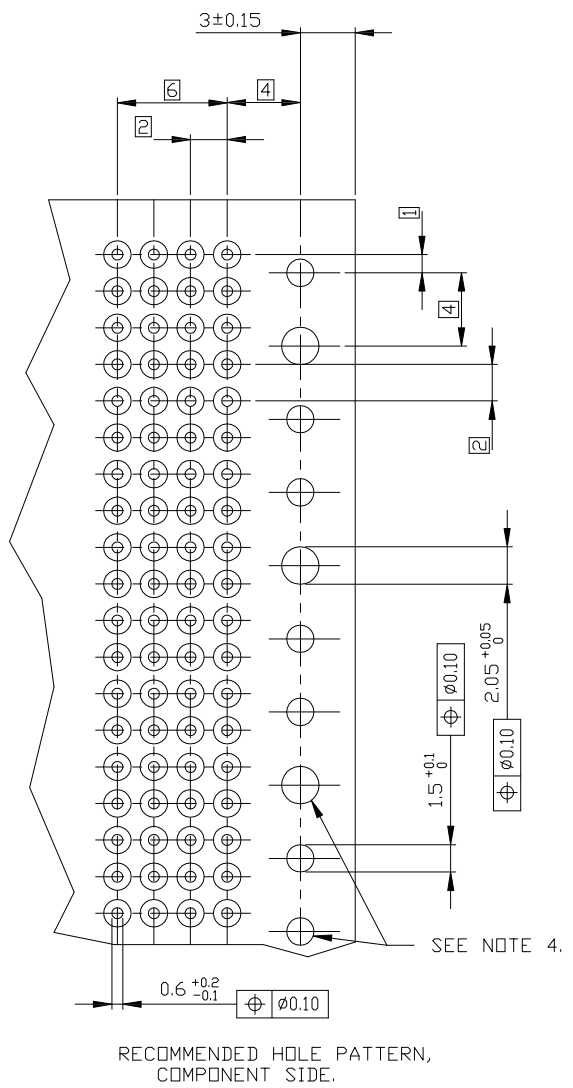
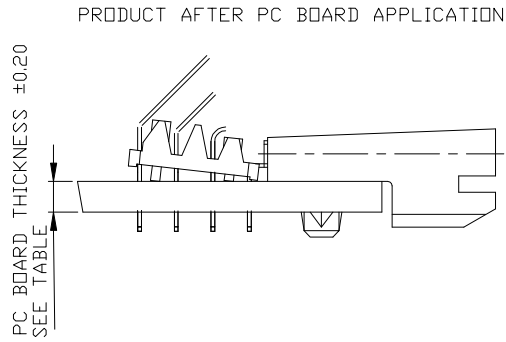
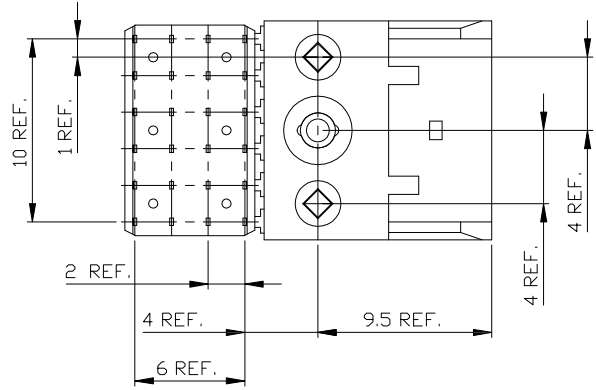
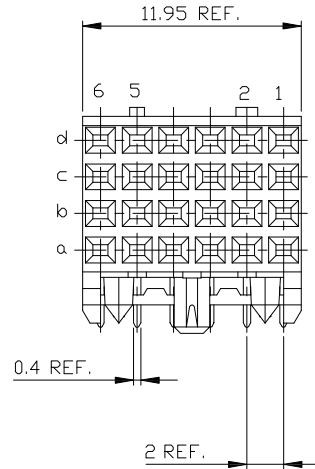
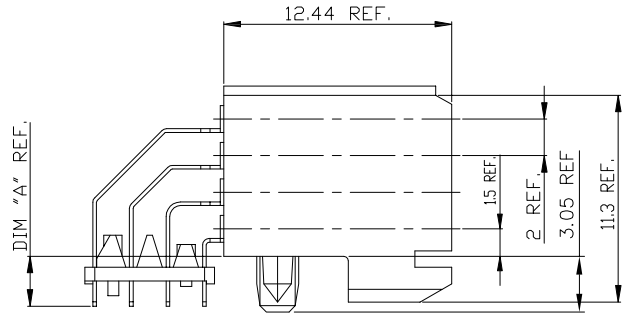
PLATING CONTACT AREA:

DASH NR:	PERFORMANCE LEVEL
-1YY/1YYLF	TELCORDIA CO
-2YY/2YYLF	CUSTOMER SPECIAL
-3YY/3YYLF	CUSTOMER SPECIAL

PRELIMINARY

mat'l. code	surface ISO 1302	tolerance ISO 406 ISO 101	projection 101	product family METRAL
lfr	ecn no	dr	date	title RA FEMALE SIGNAL 12mm PRESS PEG
M	5009-0088	CENH	06/06/09	dwg no
N	ELX-I-30829	SA	28-04-18	sheet 2 of 4
				size A2
				type Product Customer Drawing
sheet index	revision sheet			

PC BOARD VERSIONS		
PRODUCTNR.	PCB THICKNESS	DIM "A"
89035-X03	1.6	2.90
89035-X13	2.4	3.53
89035-X03LF	1.6	2.90
89035-X13LF	2.4	3.53



- NOTES:
- BODY MAT'L: LIQUID CRYSTAL POLYMER 30% GLASS
FLAME RETARDANT ACC. UL 94-V0
 - TERMINAL MATERIAL: PHOSPHOR BRONZE.
 - PLATING SOLDER TAILS 2-8 um SnPb 90-97 OR 2-8 um PURE Sn FOR LEAD FREE .
 - INDICATED HOLES ARE UNPLATED.
 - PRODUCT MARKING: PARTNUMBER & BATCH ID.
 - THIS PRODUCT MEETS EUROPEAN UNION DIRECTIVES AND OTHER COUNTRY REGULATIONS AS DESCRIBED IN GS-47-0004 .
 - THE HOUSING WILL WITHSTAND EXPOSURE TO 260DEGREE PEAK TEMPERATURE FOR 10 SECONDS IN A WAVE SOLDER APPLICATION.

PLATING CONTACT AREA:	
DASH NR:	PERFORMANCE LEVEL
-1YY/1YYLF	TELCORDIA CO
-2YY/2YYLF	CUSTOMER SPECIAL
-3YY/3YYLF	CUSTOMER SPECIAL

PRELIMINARY

mat'l. code	surface ISO 1302 ✓ ISO 406 ISO 101	tolerance ISO 406 ISO 101 tolerances unless otherwise specified	projection 1:1	product family METRAL
lfr	ecn no	dr	date	title RA FEMALE SIGNAL 12mm PRESS PEG
M	SG09-0088	CENH	06/06/09	dwg no
N	ELX-I-30829	SA	28-04-18	sheet 3 of 4 size A2
				89035
				type Product Customer Drawing
sheet index	revision sheet			

LOADING LAYOUTS

'X' Denotes contact loaded position.

89035-X04LF						
ROW	6	5	4	3	2	1
D	x	-	x	x	x	x
C	x	-	x	x	x	x
B	-	-	x	x	-	-
A	x	-	x	x	-	x

89035-X05LF						
ROW	6	5	4	3	2	1
D	x	-	x	-	x	-
C	-	x	-	x	-	x
B	x	-	x	-	x	-
A	-	x	-	x	-	x

Amphenol
FCi

© 2016 AFci

PRELIMINARY

mat'l. code		surface		tolerance		projection		product family	
		ISO 1302		ISO 406 ISO 101		101		METRAL	
ltr		ecn no		dr		date		title	
M		S09-0088		CENH		06/06/09		RA FEMALE SIGNAL	
N		ELX-I-30829		SA		28-04-18		12mm PRESS PEG	
				angles		linear		mm	
				0°±2'		.000±.00x		scale 5:1	
				dr		H.BOUWKNEGT		92-12-16	
				engr		H.BOUWKNEGT		94-03-11	
				chr					
				appd		BUU K PAUL		18-04-28	
sheet index		revision sheet						type Product Customer Drawing	
								89035	
								sheet 4 of 4 size A2	