

Type: **012320188**

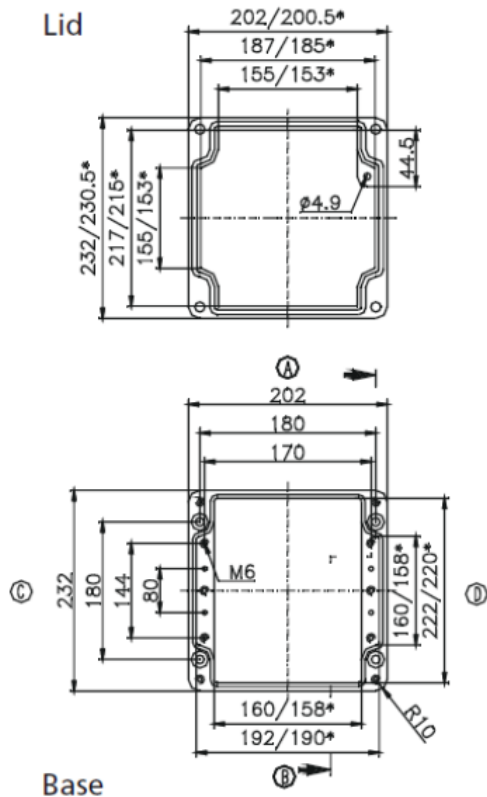
External dimensions: **232 x 202 x 181 mm**

Weight: **4600 g**

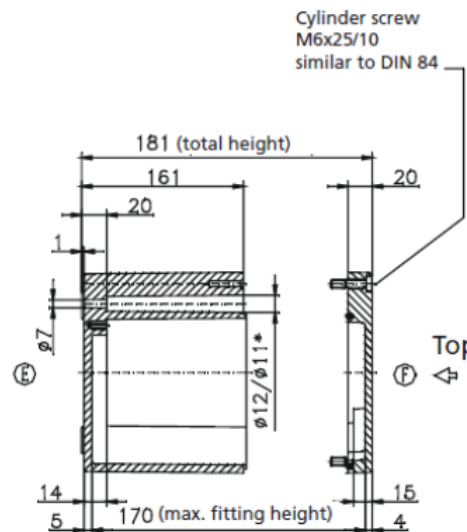
DIN rail length in mm	max. fitting length in mm	Earthing rail clamp	Mounting plate (thickness in mm)	External mounting brackets	External hinge* set	EMC version	Internal hinge* set	SWB / SBG / SBGL Corr.protection	Allen lid screws	Silicone lid seal	Sealable lid screws in steel	Turn bolt fastener on request	Quick lock
TS 35													
186	160	12	1.5	•	•	•	•	•	•	•	•	•	•

Maximum number of cable glands to DIN 50262\*

M	Corner dim.	Side		PG	Corner dim.	Side	
		A	C			B	D
12	17.25	90	81	7	17.25	90	81
16	25.30	42	36	9	21.85	56	49
20	27.60	33	33	11	25.30	42	36
25	37.95	18	16	13.5	27.60	33	33
32	48.30	10	9	16	31.05	25	25
40	60.95	6	6	21	37.95	16	16
50	69.00	5	5	29	48.30	10	9
63	74.75	4	4	36	60.95	6	5
				42	69.00	5	4
				48	74.75	4	4



\* = Conical form tapering downwards  
Free dimensions-tolerance to GTA 13/5 DIN 1688



DATE	17 MAY 2017	7330 Executive Way Frederick, MD 21704 (301) 696-9411 voice (301) 696-9494 fax	
SHEET	1		
DESCRIPTION	ENCLOSURE, STANDARD, ALUMINUM 232 X 202 X 181MM, UNPAINTED		
SIZE	DRAWING NUMBER	<b>012320188</b>	REV
A			-